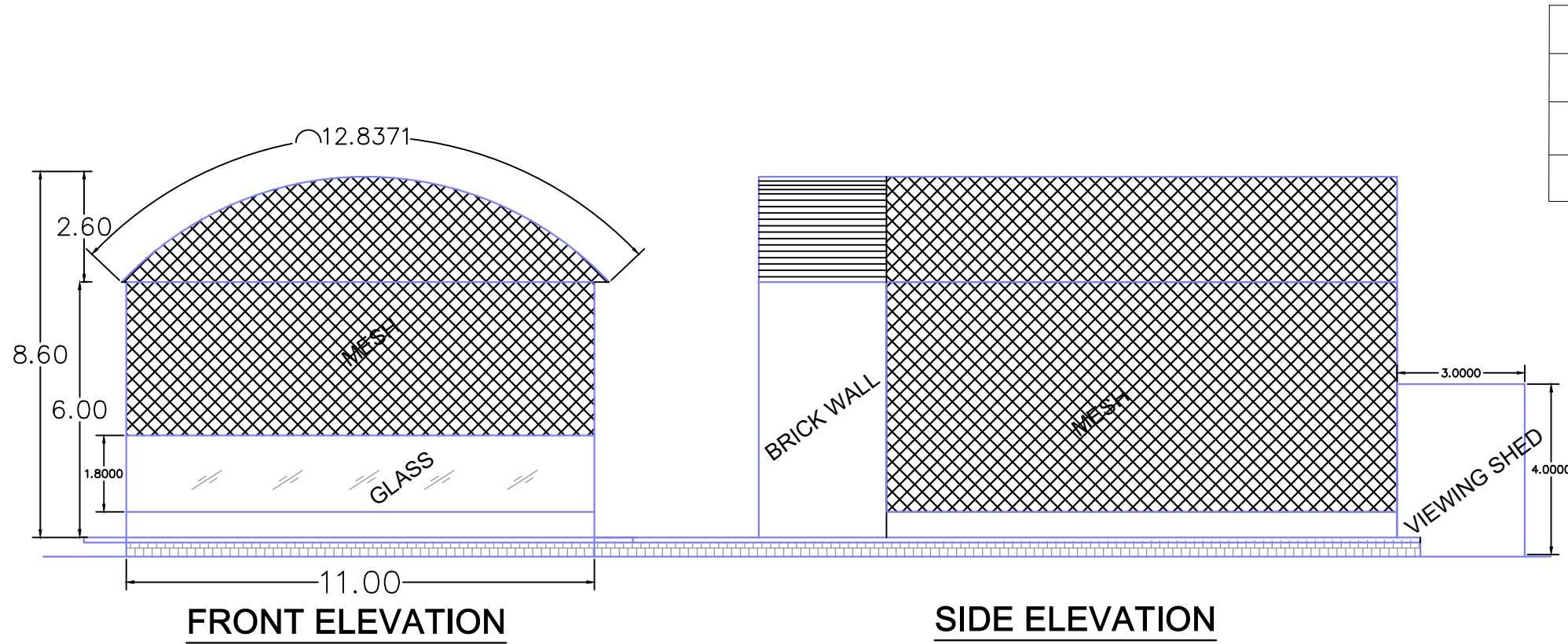


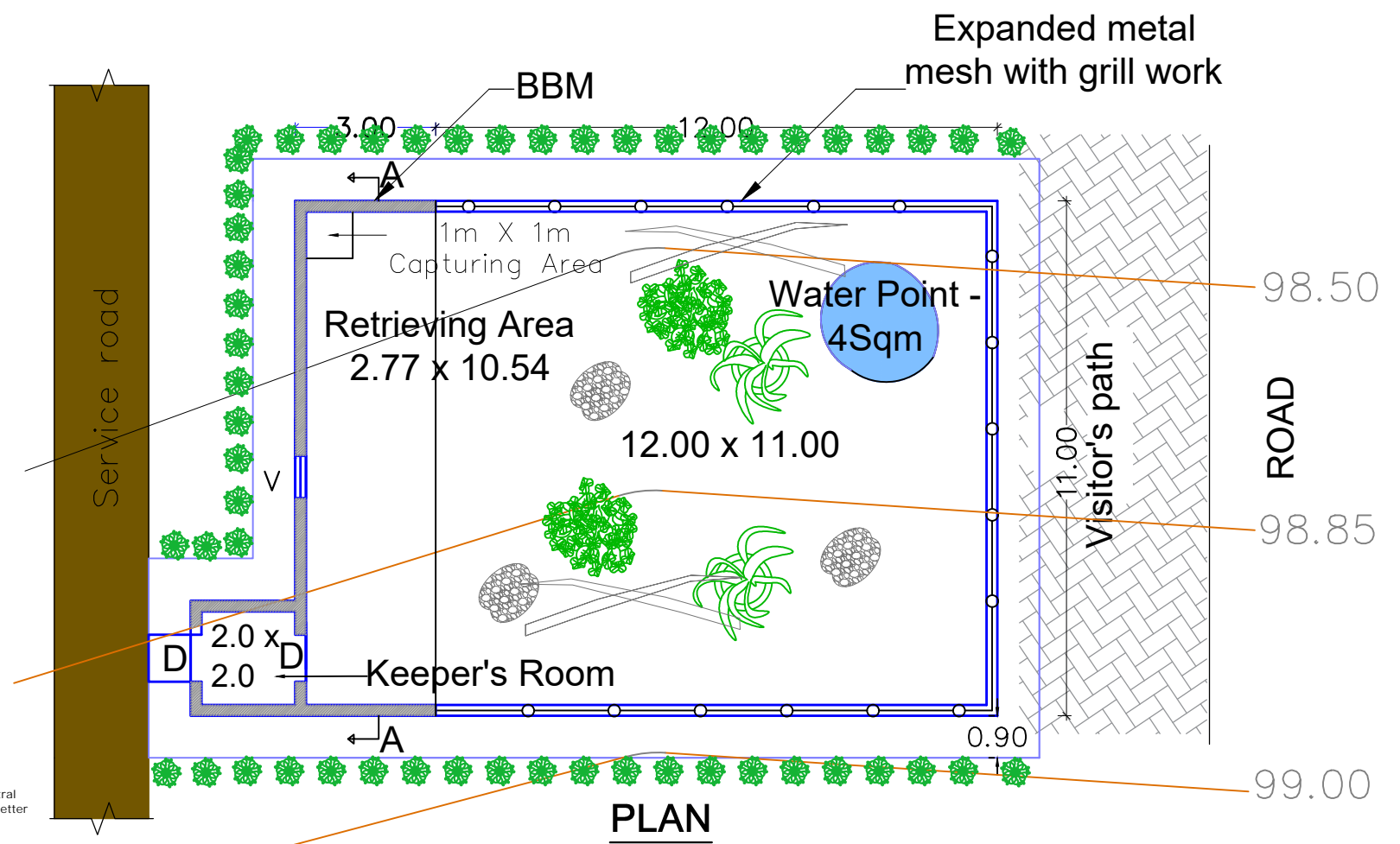
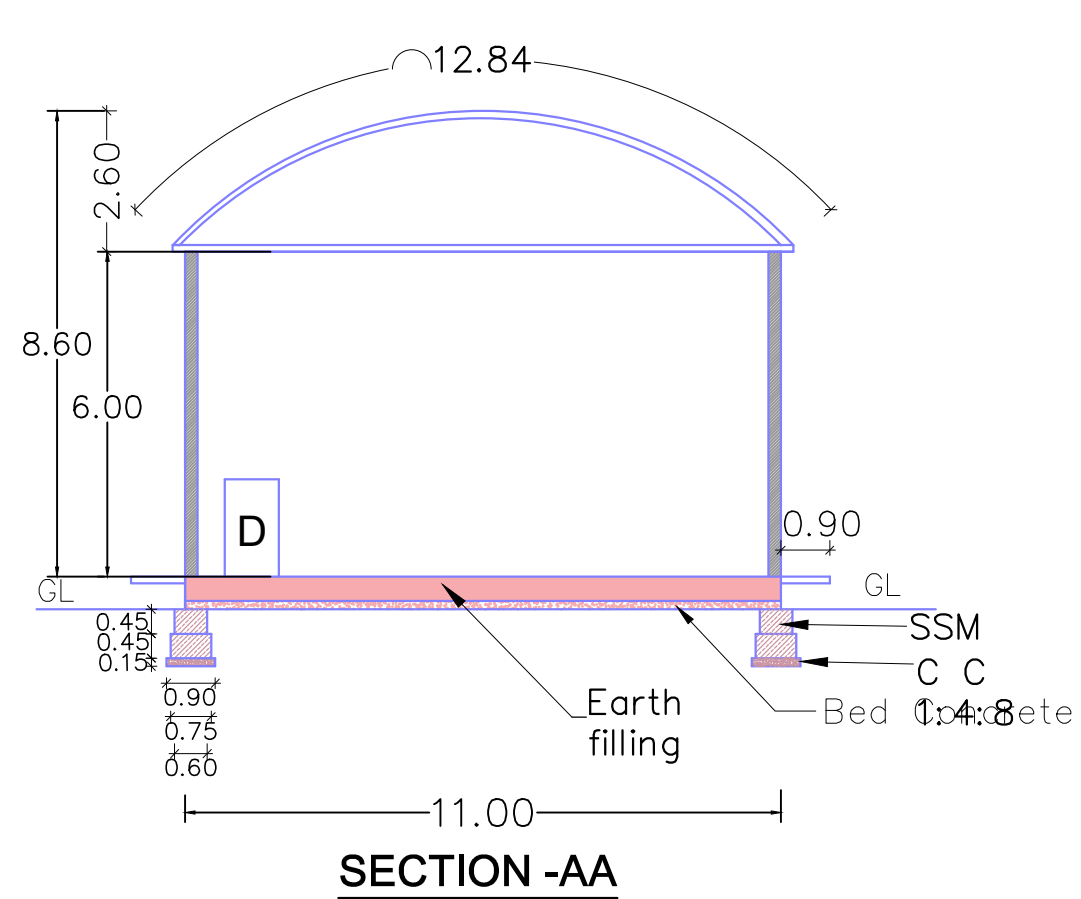
PROPOSED PLAN FOR PEAFOWL ENCLOSURE AT TIGER & LION SAFARI, TYAVAREKOPPA, SHIVAMOGGA.



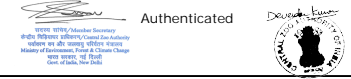
ENRICHMENTS :-	
NATURAL STONE etc.	
SHRUBS, SMALL TREES	
WOODEN LOGS	

LEGENDS :-	
	RCC work
	Brick wall
	Natural Earth
	Earth filling
	Water Body
	Main Road /Visitor Road
	Service Road
	CONTOURS

LEGEND
BuiltUp Area : 15.00 x 11.00 =165.00 Sqmtr
Grill Door D-1.00 x 2.00 V - 0.90 x 0.45
ALL DIMENSIONS ARE IN METERS
Floor : Earthen surface
Scale 1 : 50
Area of water body : 4Sqm



The designs of the Peafowl (Pavo cristatus) enclosure to be constructed at the Tiger and Lion Safari, Thyavarekoppa, Shimoga, Karnataka were placed before the 99th Meeting of the Expert Group on Zoo Designing, Central Zoo Authority held on 22-23/06/2021 and the same was approved subject to conditions. Approval of the said Committee was communicated to the Zoo vide letter issue No. 1/5036/2021 dated 14.07.2021. The zoo vide letter no. ED/ T&L/ Enclosure/ 2023-24 dated 28.03.2024 has submitted satisfactory compliance.



RANGE FOREST OFFICER
TIGER AND LION SAFARI
TYAVAREKOPPA, SHIVAMOGGA

EXECUTIVE ENGINEER
BANNERGHATTA BIOLOGICAL PARK
BANNERGHATTA, BANGALORE

EXECUTIVE DIRECTOR
TIGER AND LION SAFARI
TYAVAREKOPPA, SHIVAMOGGA