

# PLAN FOR ENCLOSURE OF " GREY WOLF " AT TIGER & LION SAFARI, TYAVAREKOPPA, SHIVAMOGGA.

The designs of the Gray Wolf (*Canis lupus pallipes*) enclosure to be constructed at the Tiger and Lion Safari, Thyavarekoppa, Shimoga, Karnataka were placed before the 99th Meeting of the Expert Group on Zoo Designing, Central Zoo Authority held on 22-23/06/2021 and the same was approved subject to conditions. Approval of the said Committee was communicated to the Zoo vide letter issue No. 1/5036/2021 dated 14.07.2021. The zoo vide letter no. ED/ T&L/ Enclosure/ 2023-24 dated 28.03.2024 has submitted satisfactory compliance.

Authenticated  
 Member Secretary  
 Central Zoo Authority  
 Ministry of Environment, Forest & Climate Change  
 Govt. of India, New Delhi

LEGENDS :-

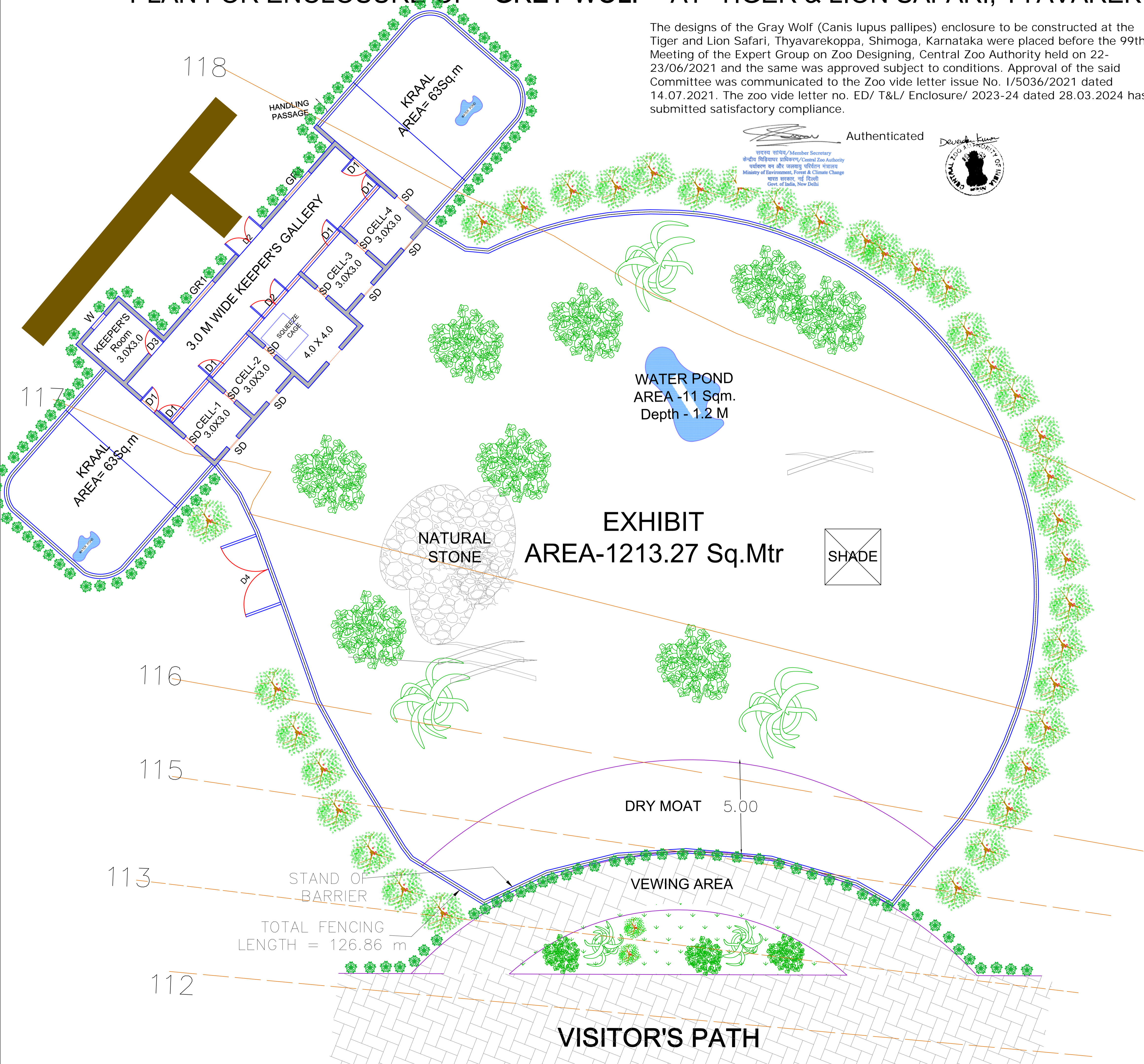
	RCC work
	Brick wall
	Natural Earth
	Earth filling
	Water Body
	Main Road / Visitor Road
	Service Road
	CONTOURS

OPENING DETAILS:-

D1 - 1.0 X 2.1	Grill Door
D2 - 2.0 X 2.1	Grill Door
D3 - 1.0 X 2.1	Keeper room door
D4 - 4.0X3.0	Service Gate
SD1 - 0.75 x 1.0	SIDE Sliding Door
SD2 - 0.75 x 1.0	UP Sliding Door
GR - 2.0 X 1.7	Grill Window
W - 1.0X 1.7	Window

ENRICHMENTS :-

NATURAL STONE etc.	
SHRUBS, SMALL TREES	
WOODEN LOGS	



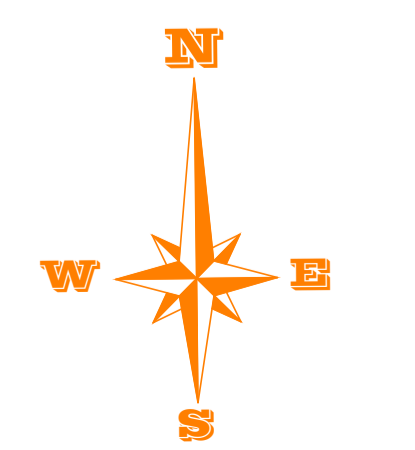
Building Builtup Area: 128.45 Sqmtr  
 Kraal Area: 63.00 Sqmtr  
 Exhibit Area - 1213.27 Sqmtr.

EXECUTIVE DIRECTOR  
 TIGER AND LION SAFARI  
 TYAVAREKOPPA, SHIVAMOGGA

EXECUTIVE ENGINEER  
 BANNERGHATTA BIOLOGICAL PARK  
 BANNERGHATTA, BANGALORE

RANGE FOREST OFFICER  
 TIGER AND LION SAFARI  
 TYAVAREKOPPA, SHIVAMOGGA

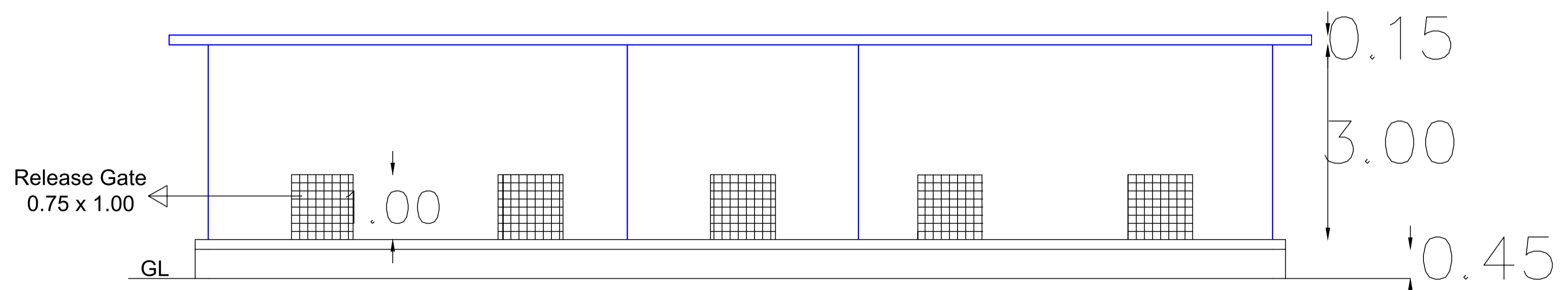
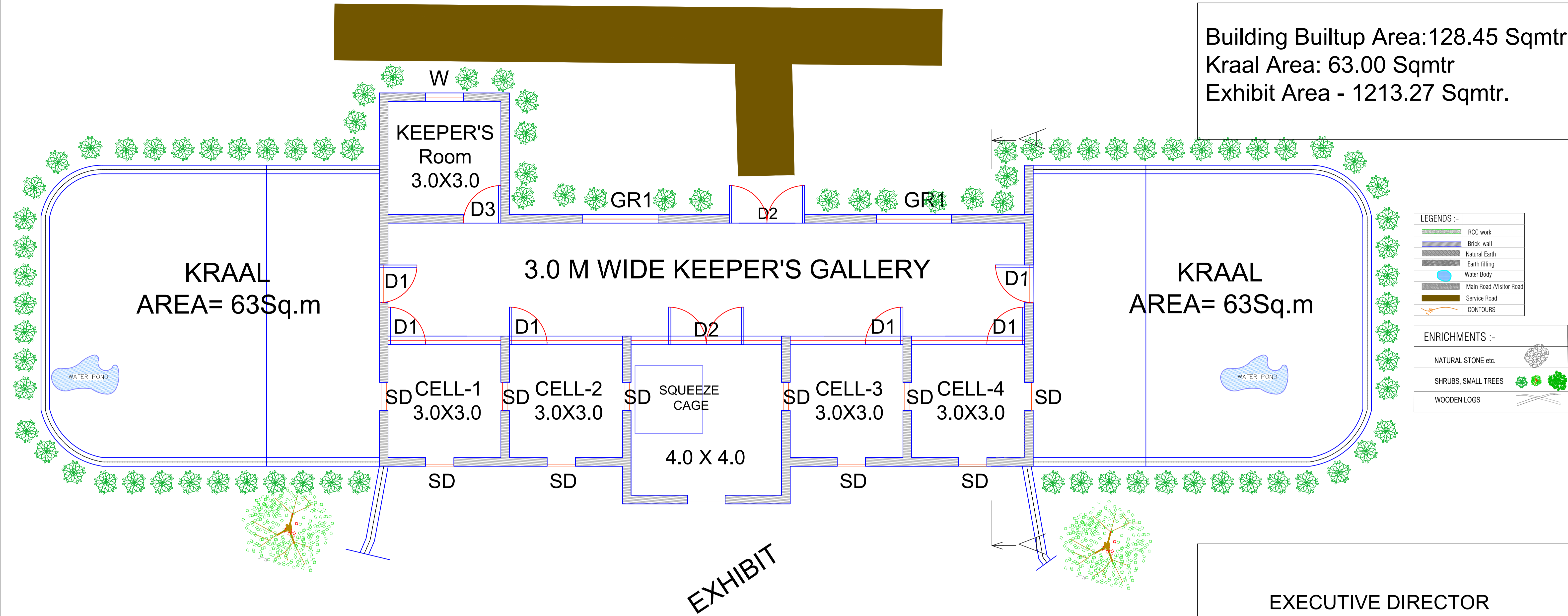
ALL DIMENSIONS  
 ARE IN METERS  
 Scale = 1 : 100 (A1)



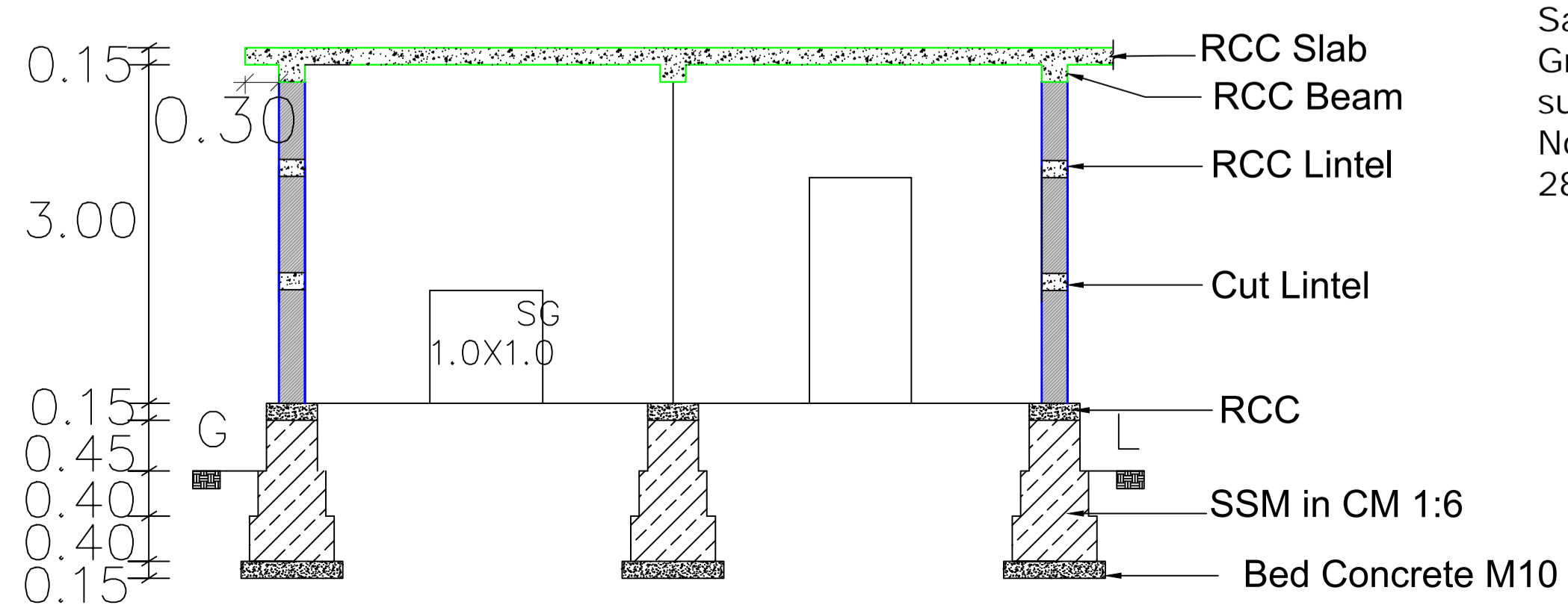


# NIGHT HOUSE DETAIL FOR GREY WOLF ENCLOSURE AT TIGER & LION SAFARI, TYAVAREKOPPA, SHIVAMOGGA.

Building Builtup Area: 128.45 Sqmtr  
 Kraal Area: 63.00 Sqmtr  
 Exhibit Area - 1213.27 Sqmtr.



**NIGHT HOUSE ELEVATION**



**SECTION A-A**

The designs of the Gray Wolf (*Canis lupus pallipes*) enclosure to be constructed at the Tiger and Lion Safari, Thyavarekoppa, Shimoga, Karnataka were placed before the 99th Meeting of the Expert Group on Zoo Designing, Central Zoo Authority held on 22-23/06/2021 and the same was approved subject to conditions. Approval of the said Committee was communicated to the Zoo vide letter issue No. I/5036/2021 dated 14.07.2021. The zoo vide letter no. ED/ T&L/ Enclosure/ 2023-24 dated 28.03.2024 has submitted satisfactory compliance.

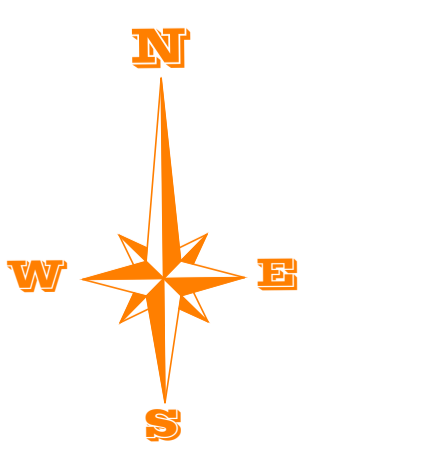
Authenticated  
 Member Secretary  
 Central Zoo Authority  
 Ministry of Environment, Forest & Climate Change  
 Govt. of India, New Delhi

EXECUTIVE DIRECTOR  
 TIGER AND LION SAFARI  
 TYAVAREKOPPA, SHIVAMOGGA

EXECUTIVE ENGINEER  
 BANNERGHATTA BIOLOGICAL PARK  
 BANNERGHATTA, BANGALORE

RANGE FOREST OFFICER  
 TIGER AND LION SAFARI  
 TYAVAREKOPPA, SHIVAMOGGA

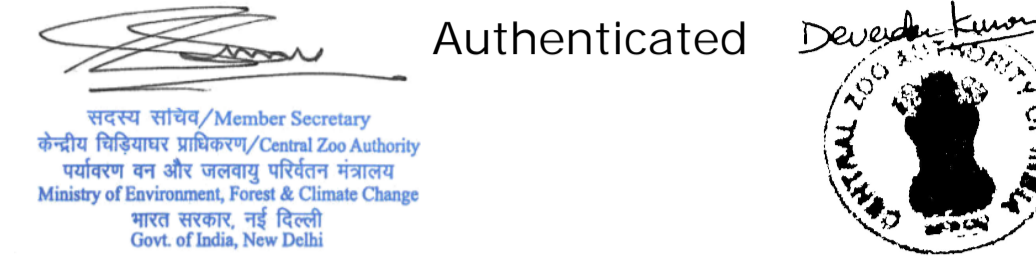
ALL DIMENSIONS  
 ARE IN METERS  
 Scale = 1 : 100 (A1)



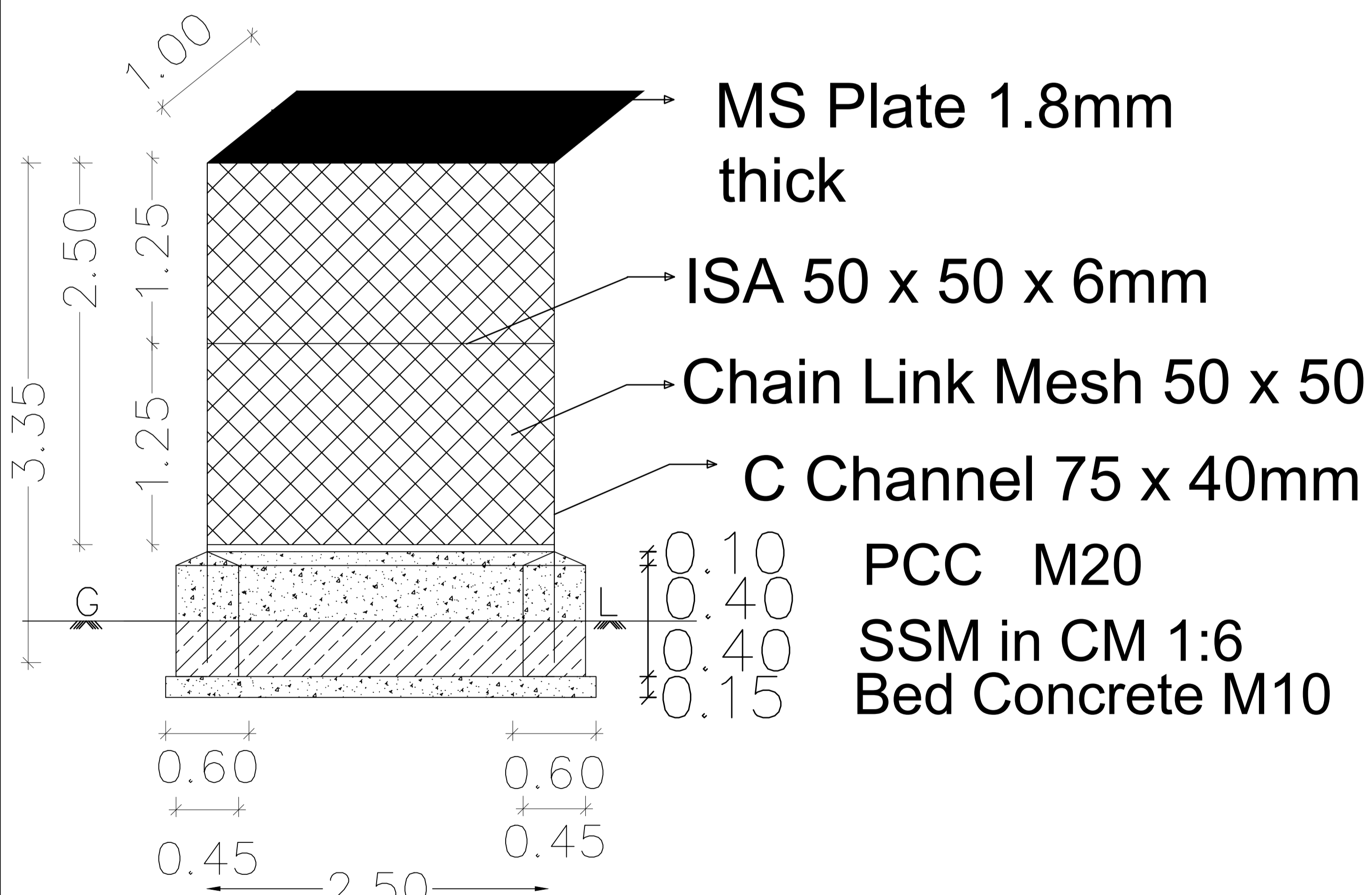


# FENCE & MOAT DETAIL FOR GREY WOLF ENCLOSURE AT TIGER & LION SAFARI, TYAVAREKOPPA, SHIVAMOGGA.

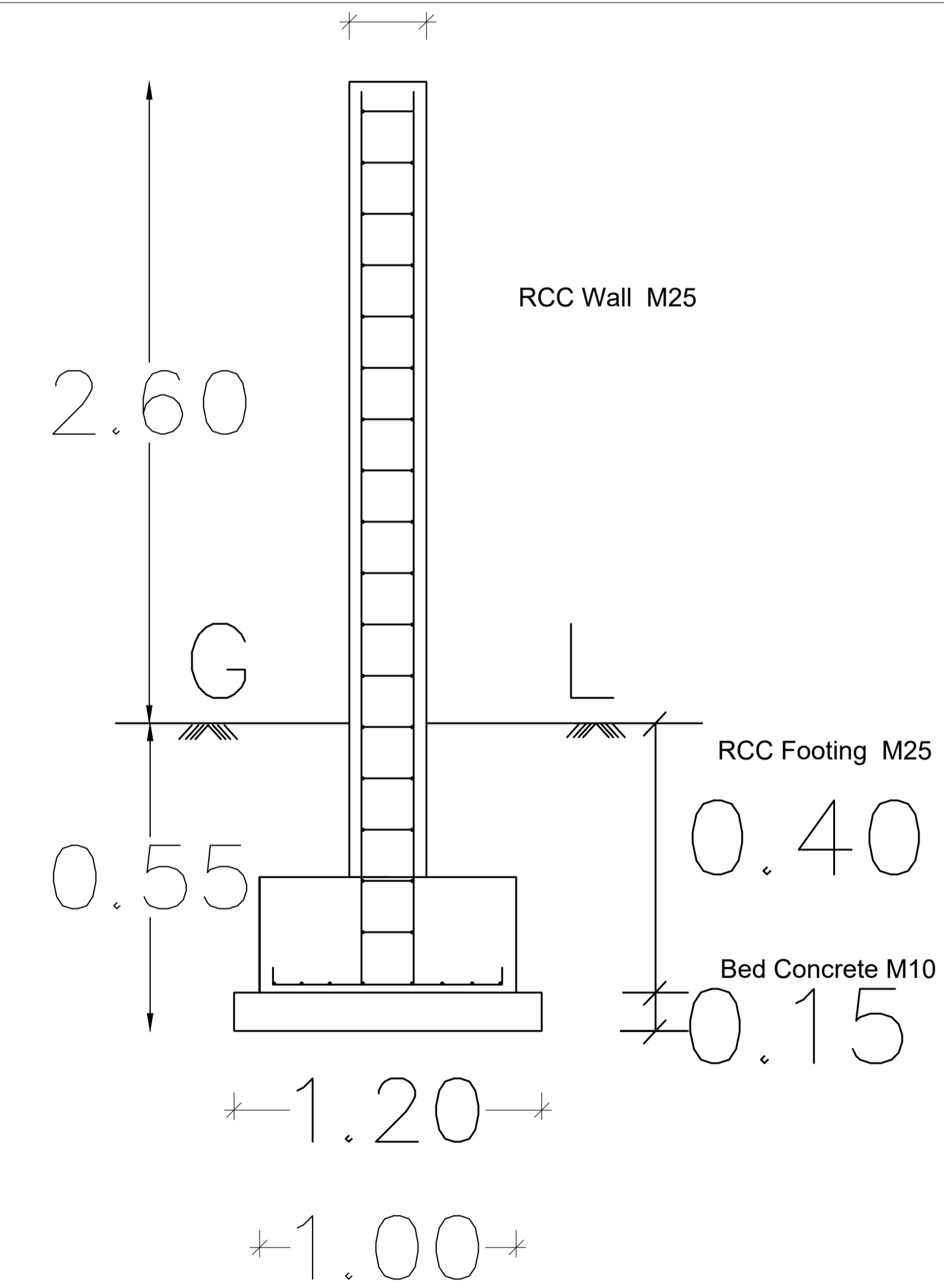
The designs of the Gray Wolf (*Canis lupus pallipes*) enclosure to be constructed at the Tiger and Lion Safari, Thyavarekoppa, Shimoga, Karnataka were placed before the 99th Meeting of the Expert Group on Zoo Designing, Central Zoo Authority held on 22-23/06/2021 and the same was approved subject to conditions. Approval of the said Committee was communicated to the Zoo vide letter issue No. I/5036/2021 dated 14.07.2021. The zoo vide letter no. ED/ T&L/ Enclosure/ 2023-24 dated 28.03.2024 has submitted satisfactory compliance.



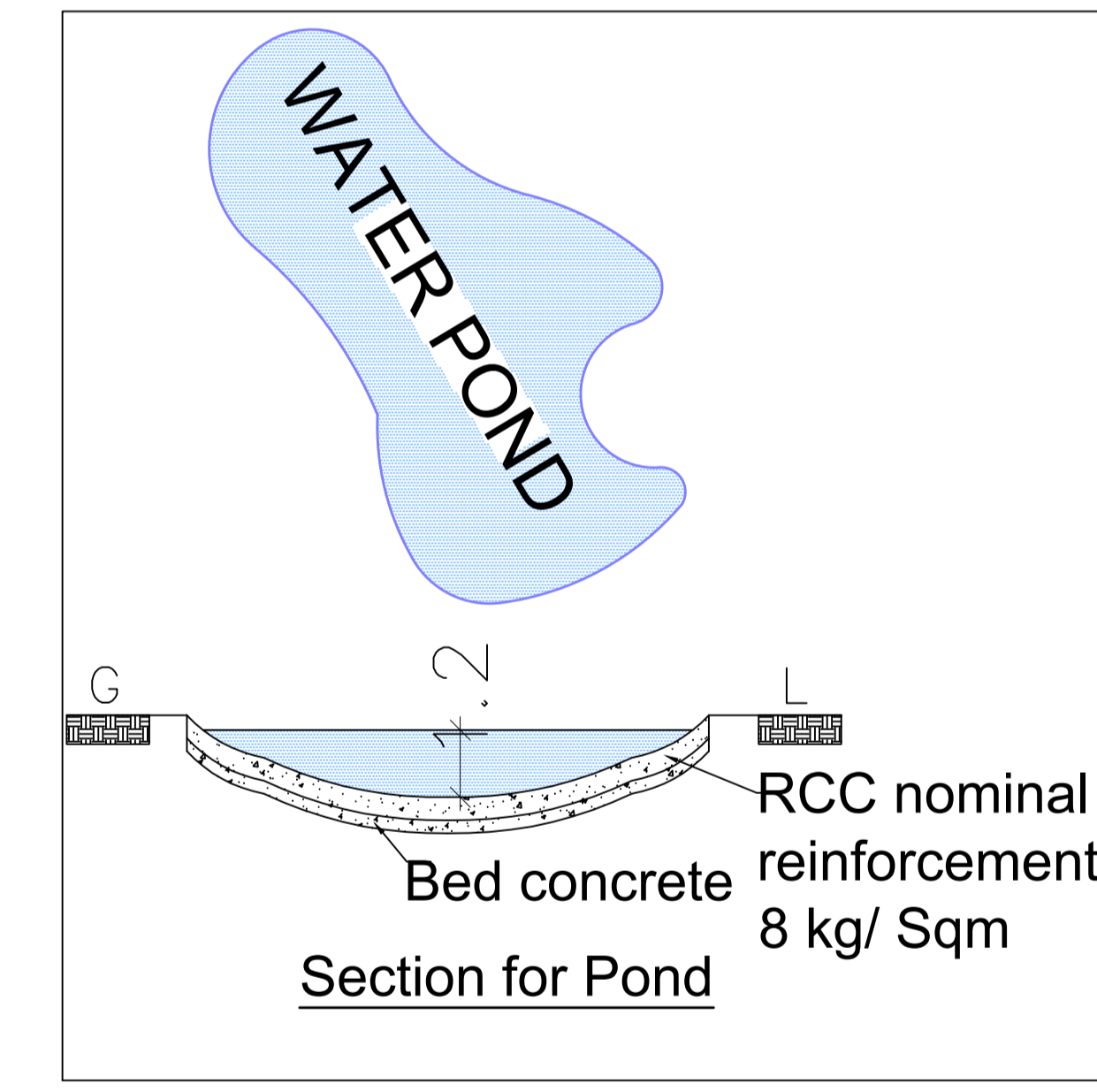
## CROSS SECTION OF WOLF ENCLOSURE



## FENCING FOR MAIN BOUNDARY



## SECTION FOR RCC MOAT WALL



EXECUTIVE DIRECTOR  
TIGER AND LION SAFARI  
TYAVAREKOPPA, SHIVAMOGGA

EXECUTIVE ENGINEER  
BANNERGHATTA BIOLOGICAL PARK  
BANNERGHATTA, BANGALORE

RANGE FOREST OFFICER  
TIGER AND LION SAFARI  
TYAVAREKOPPA, SHIVAMOGGA

ALL DIMENSIONS  
ARE IN METERS  
Scale = 1 : 100 (A1)

