

PLAN FOR ENCLOSURE OF " DHOLE " AT TIGER & LION SAFARI, TYAVAREKOPPA, SHIVAMOGGA.

The designs of the Dhole (*Cuon alpinus*) enclosure to be constructed at the Tiger and Lion Safari, Thyavarekoppa, Shimoga, Karnataka were placed before the 99th Meeting of the Expert Group on Zoo Designing, Central Zoo Authority held on 22-23/06/2021 and the same was approved subject to conditions. Approval of the said Committee was communicated to the Zoo vide letter issue No. I/5036/2021 dated 14.07.2021. The zoo vide letter no. ED/ T&L/ Enclosure/ 2023-24 dated 28.03.2024 has submitted satisfactory compliance.

Authenticated
 Member Secretary
 Central Zoo Authority
 Ministry of Environment, Forest & Climate Change
 Govt. of India, New Delhi



LEGENDS :-

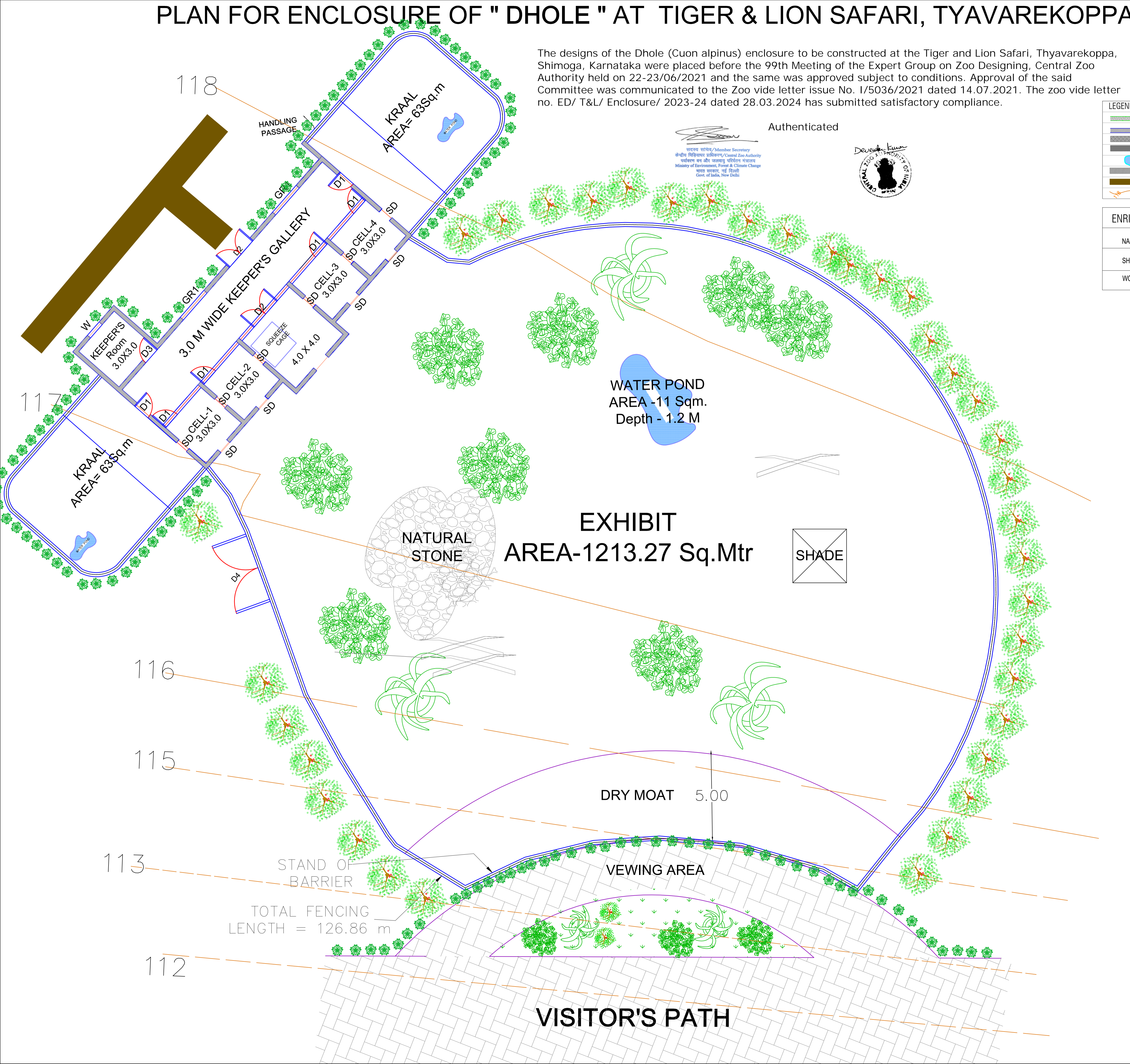
	RCC work
	Brick wall
	Natural Earth
	Earth filling
	Water Body
	Main Road / Visitor Road
	Service Road
	CONTOURS

ENRICHMENTS :-

NATURAL STONE etc.	
SHRUBS, SMALL TREES	
WOODEN LOGS	

OPENING DETAILS:-

D1 - 1.0 X 2.1	Grill Door
D2 - 2.0 X 2.1	Grill Door
D3 - 1.0 X 2.1	Keeper room door
D4 - 4.0X3.0	Service Gate
SD1 - 0.75 x 1.0	SIDE Sliding Door
SD2 - 0.75 x 1.0	UP Sliding Door
GR - 2.0 X 1.7	Grill Window
W - 1.0X 1.7	Window



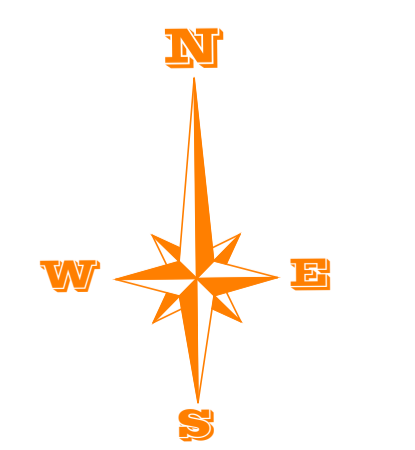
Building Builtup Area: 128.45 Sqmtr
 Kraal Area: 63.00 Sqmtr
 Exhibit Area - 1213.27 Sqmtr.

EXECUTIVE DIRECTOR
 TIGER AND LION SAFARI
 TYAVAREKOPPA, SHIVAMOGGA

EXECUTIVE ENGINEER
 BANNERGHATTA BIOLOGICAL PARK
 BANNERGHATTA, BANGALORE

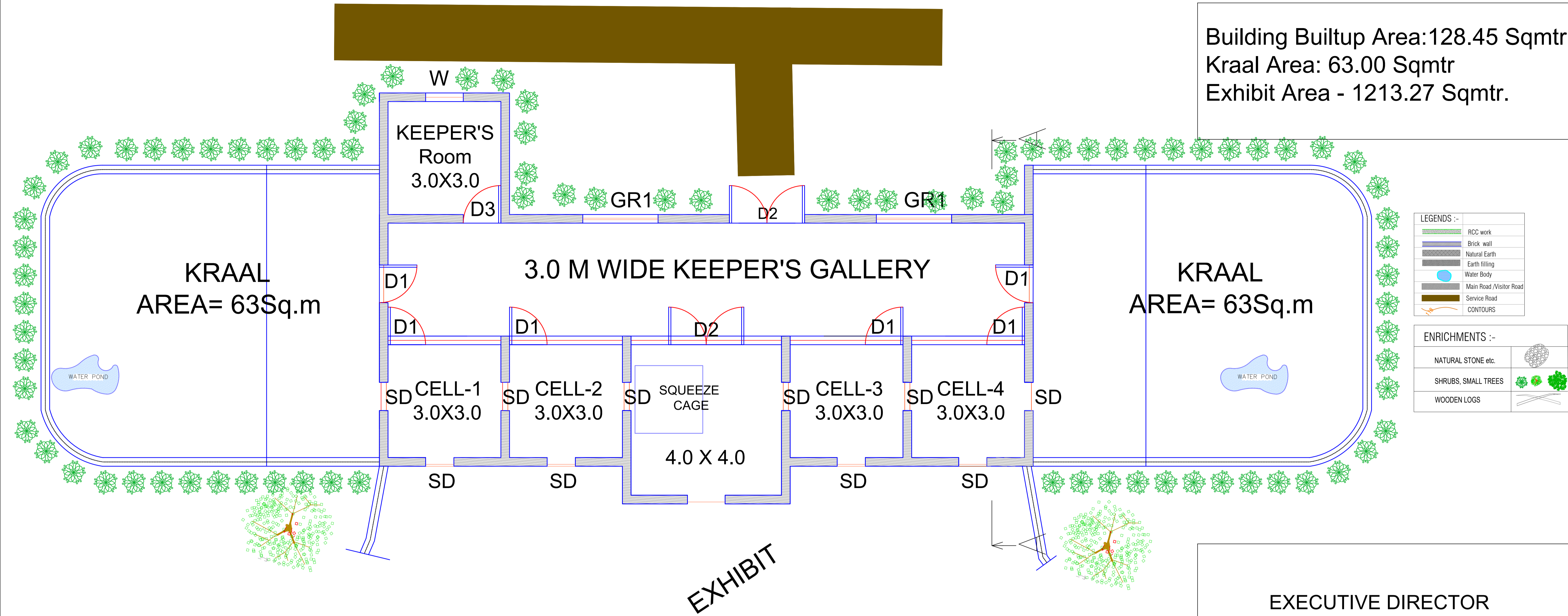
RANGE FOREST OFFICER
 TIGER AND LION SAFARI
 TYAVAREKOPPA, SHIVAMOGGA

ALL DIMENSIONS
 ARE IN METERS
 Scale = 1 : 100 (A1)



NIGHT HOUSE DETAIL FOR DHOLE ENCLOSURE AT TIGER & LION SAFARI, TYAVAREKOPPA, SHIVAMOGGA.

Building Builtup Area: 128.45 Sqmtr
 Kraal Area: 63.00 Sqmtr
 Exhibit Area - 1213.27 Sqmtr.

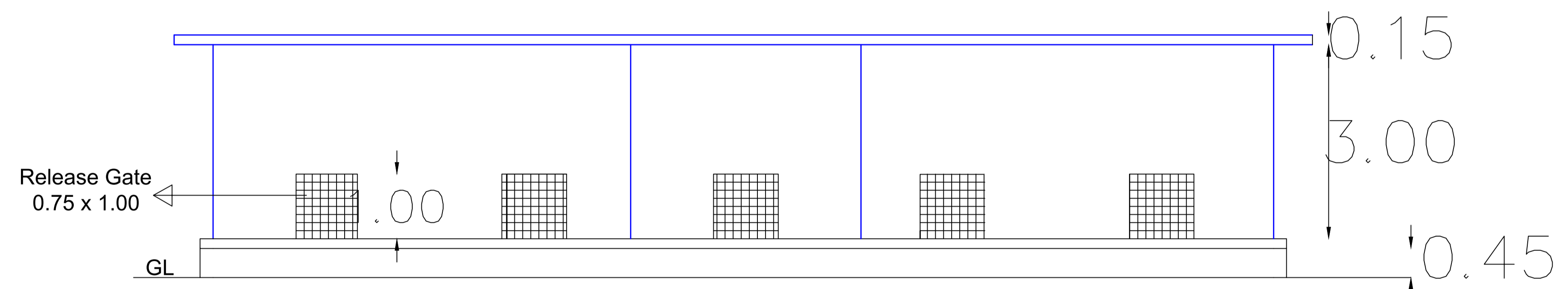


LEGENDS :-

	RCC work
	Brick wall
	Natural Earth
	Earth filling
	Water Body
	Main Road /Visitor Road
	Service Road
	CONTOURS

ENRICHMENTS :-

	NATURAL STONE etc.
	SHRUBS, SMALL TREES
	WOODEN LOGS

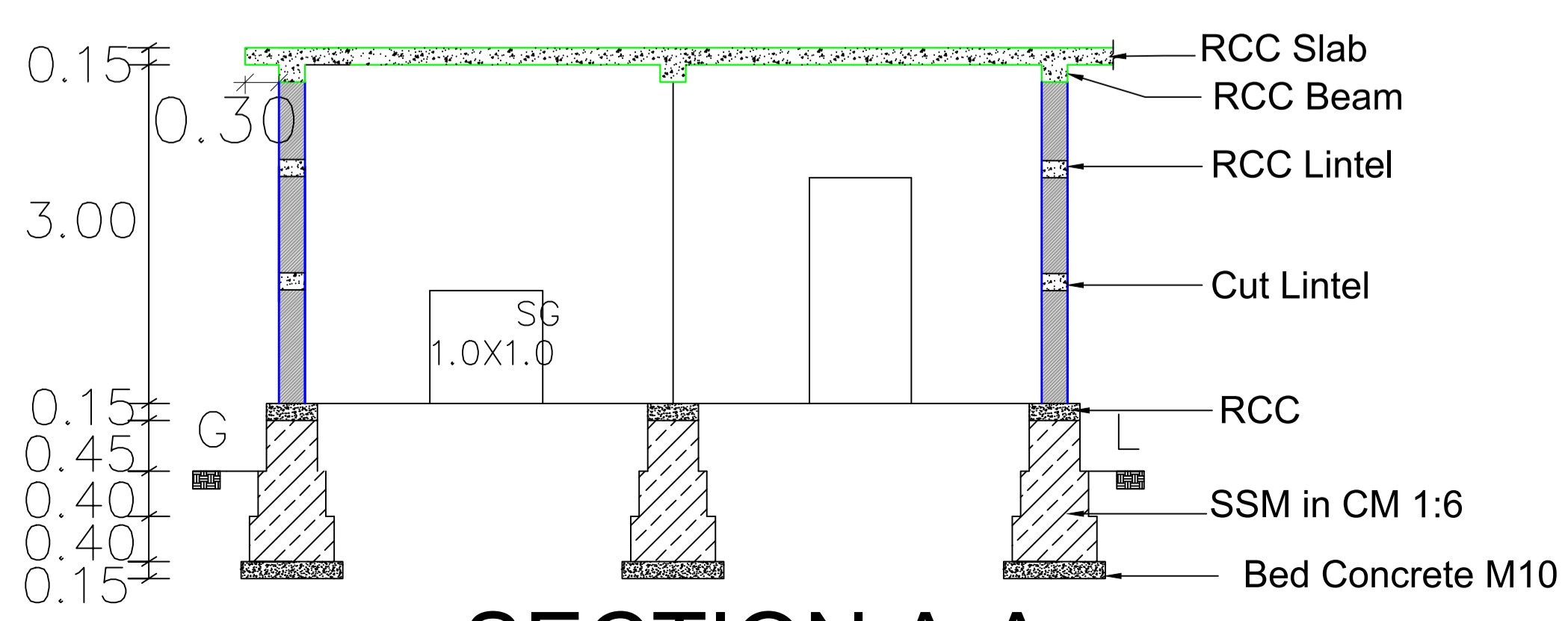


NIGHT HOUSE ELEVATION

The designs of the Dhole (*Cuon alpinus*) enclosure to be constructed at the Tiger and Lion Safari, Thyavarekoppa, Shimoga, Karnataka were placed before the 99th Meeting of the Expert Group on Zoo Designing, Central Zoo Authority held on 22-23/06/2021 and the same was approved subject to conditions. Approval of the said Committee was communicated to the Zoo vide letter issue No. 1/5036/2021 dated 14.07.2021. The zoo vide letter no. ED/ T&L/ Enclosure/ 2023-24 dated 28.03.2024 has submitted satisfactory compliance.

Authenticated

 Member Secretary
 Central Zoo Authority
 Ministry of Environment, Forest & Climate Change
 Govt. of India, New Delhi



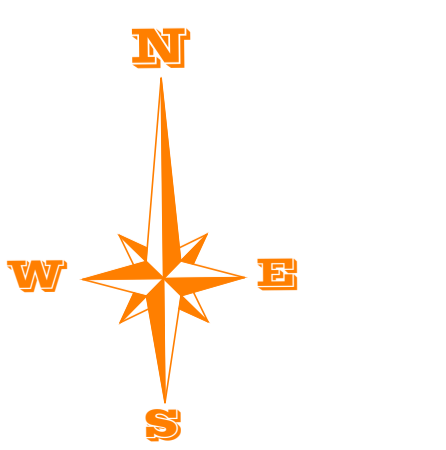
SECTION A-A

EXECUTIVE DIRECTOR
 TIGER AND LION SAFARI
 TYAVAREKOPPA, SHIVAMOGGA

EXECUTIVE ENGINEER
 BANNERGHATTA BIOLOGICAL PARK
 BANNERGHATTA, BANGALORE

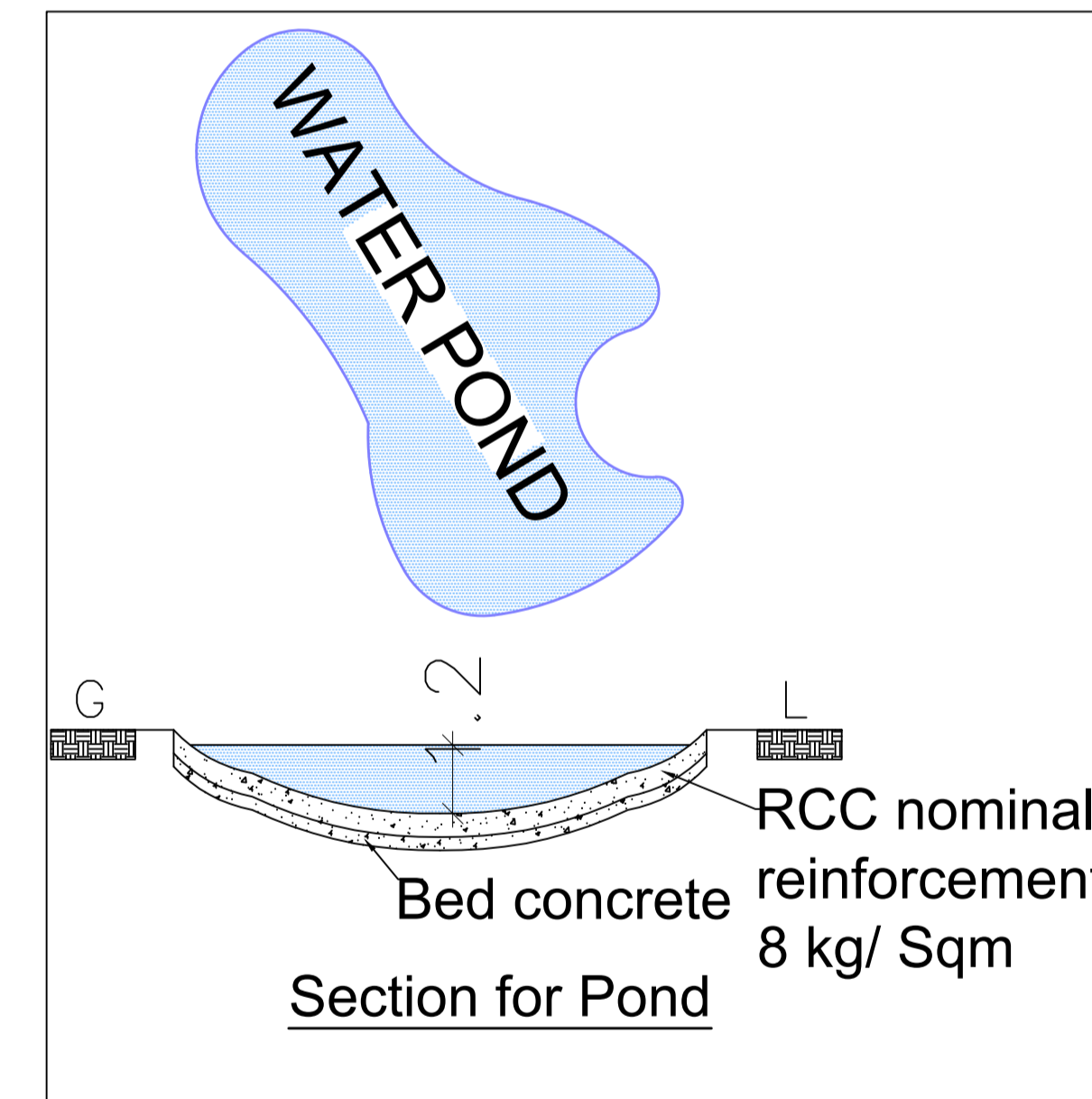
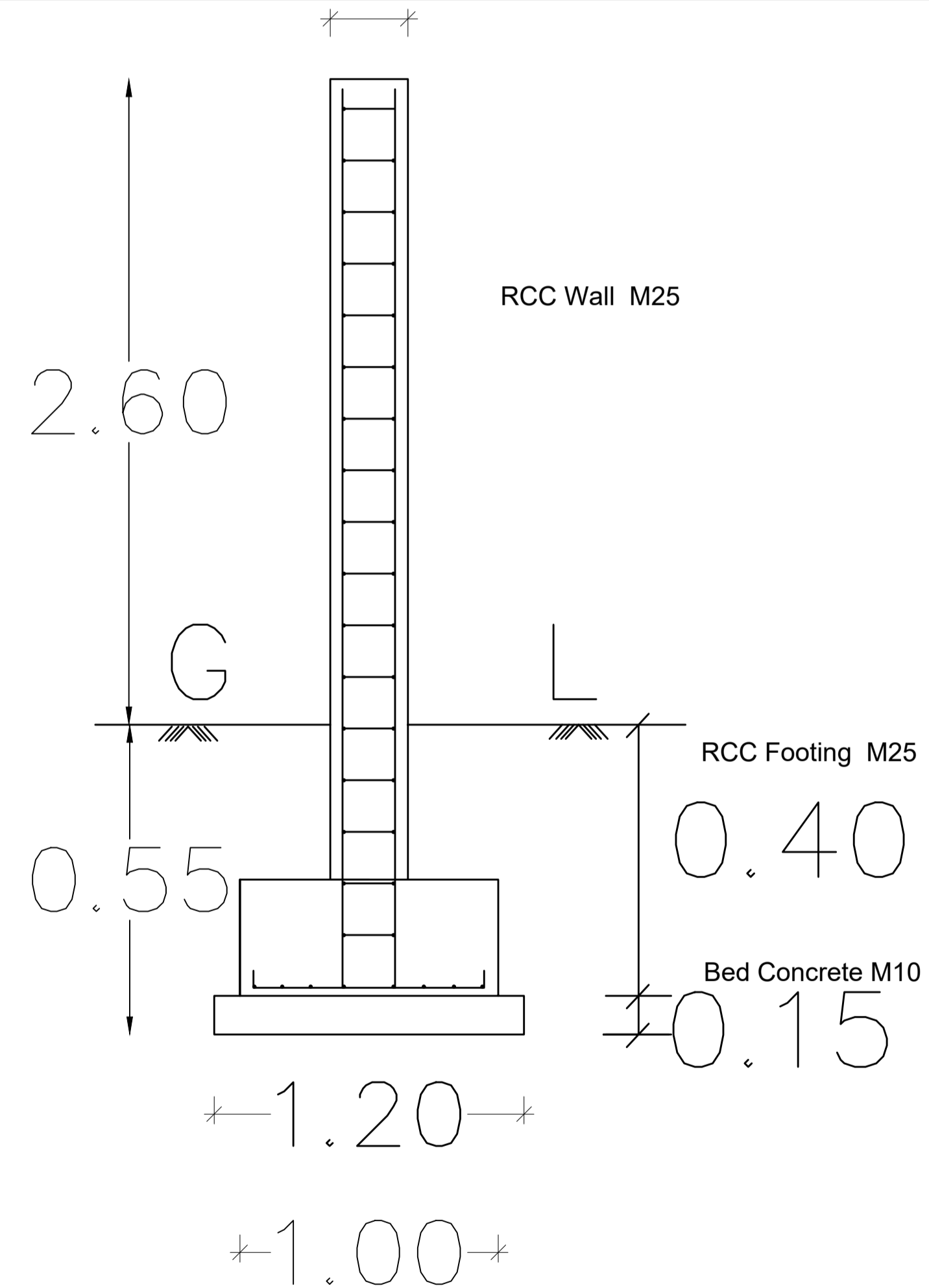
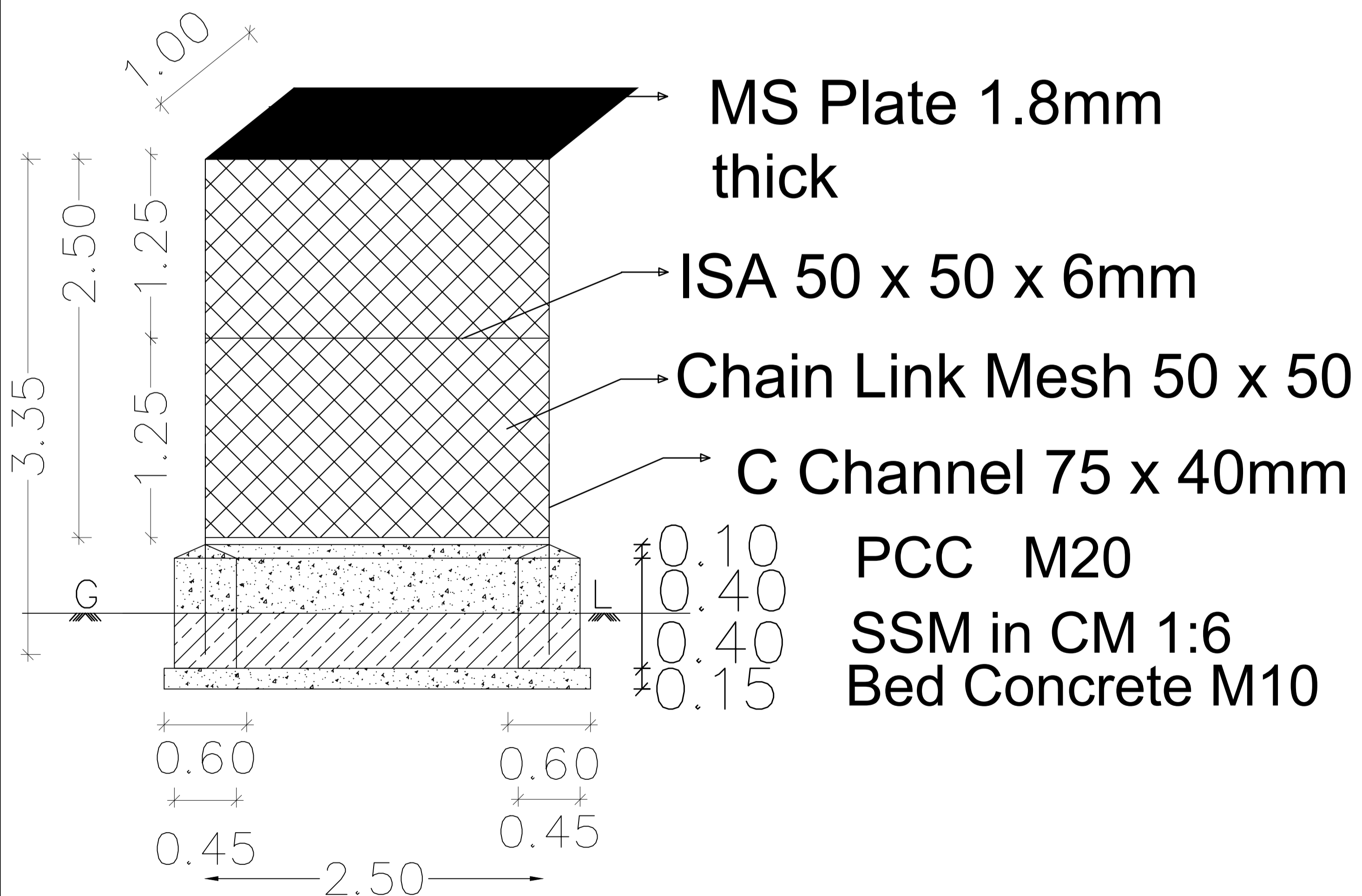
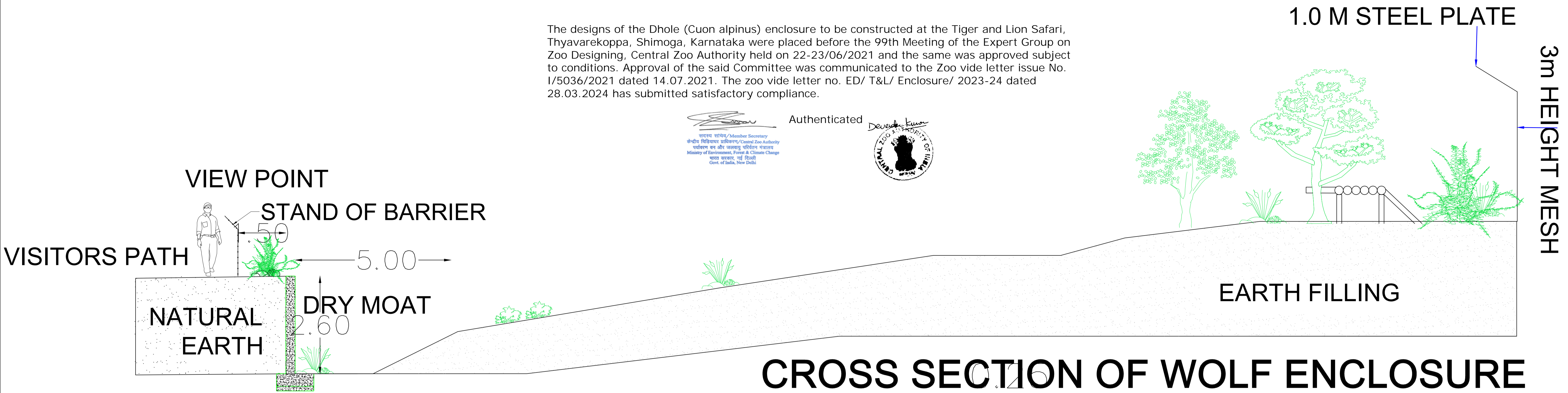
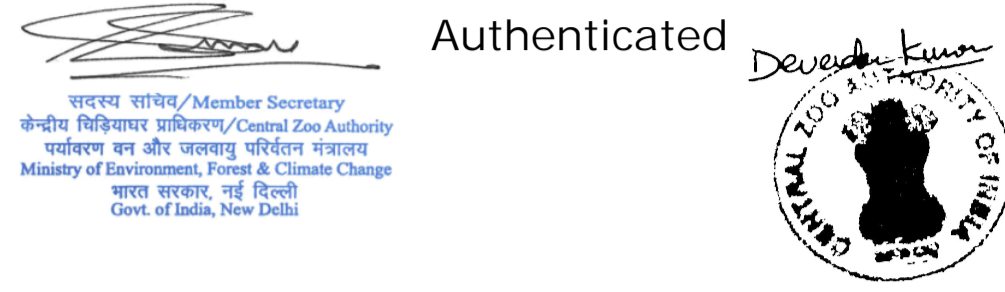
RANGE FOREST OFFICER
 TIGER AND LION SAFARI
 TYAVAREKOPPA, SHIVAMOGGA

ALL DIMENSIONS
 ARE IN METERS
 Scale = 1 : 100 (A1)



FENCE & MOAT DETAIL FOR DHOLE ENCLOSURE AT TIGER & LION SAFARI, TYAVAREKOPPA, SHIVAMOGGA.

The designs of the Dhole (*Cuon alpinus*) enclosure to be constructed at the Tiger and Lion Safari, Thyavarekoppa, Shimoga, Karnataka were placed before the 99th Meeting of the Expert Group on Zoo Designing, Central Zoo Authority held on 22-23/06/2021 and the same was approved subject to conditions. Approval of the said Committee was communicated to the Zoo vide letter issue No. I/5036/2021 dated 14.07.2021. The zoo vide letter no. ED/ T&L/ Enclosure/ 2023-24 dated 28.03.2024 has submitted satisfactory compliance.



EXECUTIVE DIRECTOR
TIGER AND LION SAFARI
TYAVAREKOPPA, SHIVAMOGGA

EXECUTIVE ENGINEER
BANNERGHATTA BIOLOGICAL PARK
BANNERGHATTA, BANGALORE

RANGE FOREST OFFICER
TIGER AND LION SAFARI
TYAVAREKOPPA, SHIVAMOGGA

ALL DIMENSIONS
ARE IN METERS
Scale = 1 : 100 (A1)

