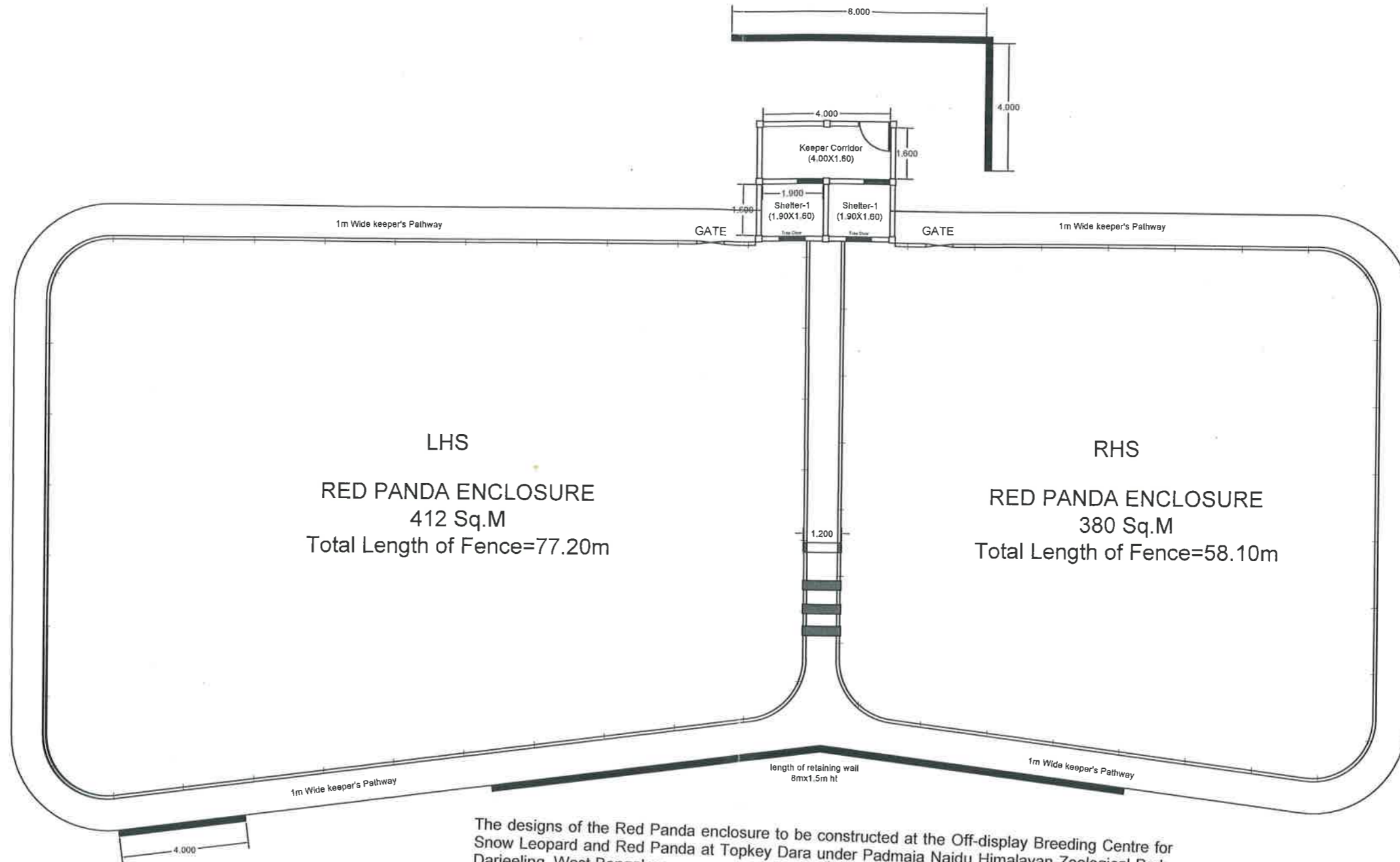


All dimensions are in meter



LHS
RED PANDA ENCLOSURE
412 Sq.M
Total Length of Fence=77.20m

RHS
RED PANDA ENCLOSURE
380 Sq.M
Total Length of Fence=58.10m

The designs of the Red Panda enclosure to be constructed at the Off-display Breeding Centre for Snow Leopard and Red Panda at Topkey Dara under Padmaja Naidu Himalayan Zoological Park, Darjeeling, West Bengal were approved by the 90th meeting of the Expert Group on Zoo Designing, Central Zoo Authority held on 26.11.2019 subject to condition and approval was communicated vide letter No. 19-20 / 92-CZA (Vol. X) (325) (NS) / 1939 / 2019, dated 06.12.2019.

Authenticated
Dy. Inspector General of Forests (H.Q.)
Ministry of Environment, Forest & Climate Change
Govt. of India, New Delhi



Scale 1:150

Construction of Two nos.of Red Panda enclosure at Conservation Breeding Centre, Topkey Dara, Senchel, Darjeeling under PNHZ Park, Darjeeling

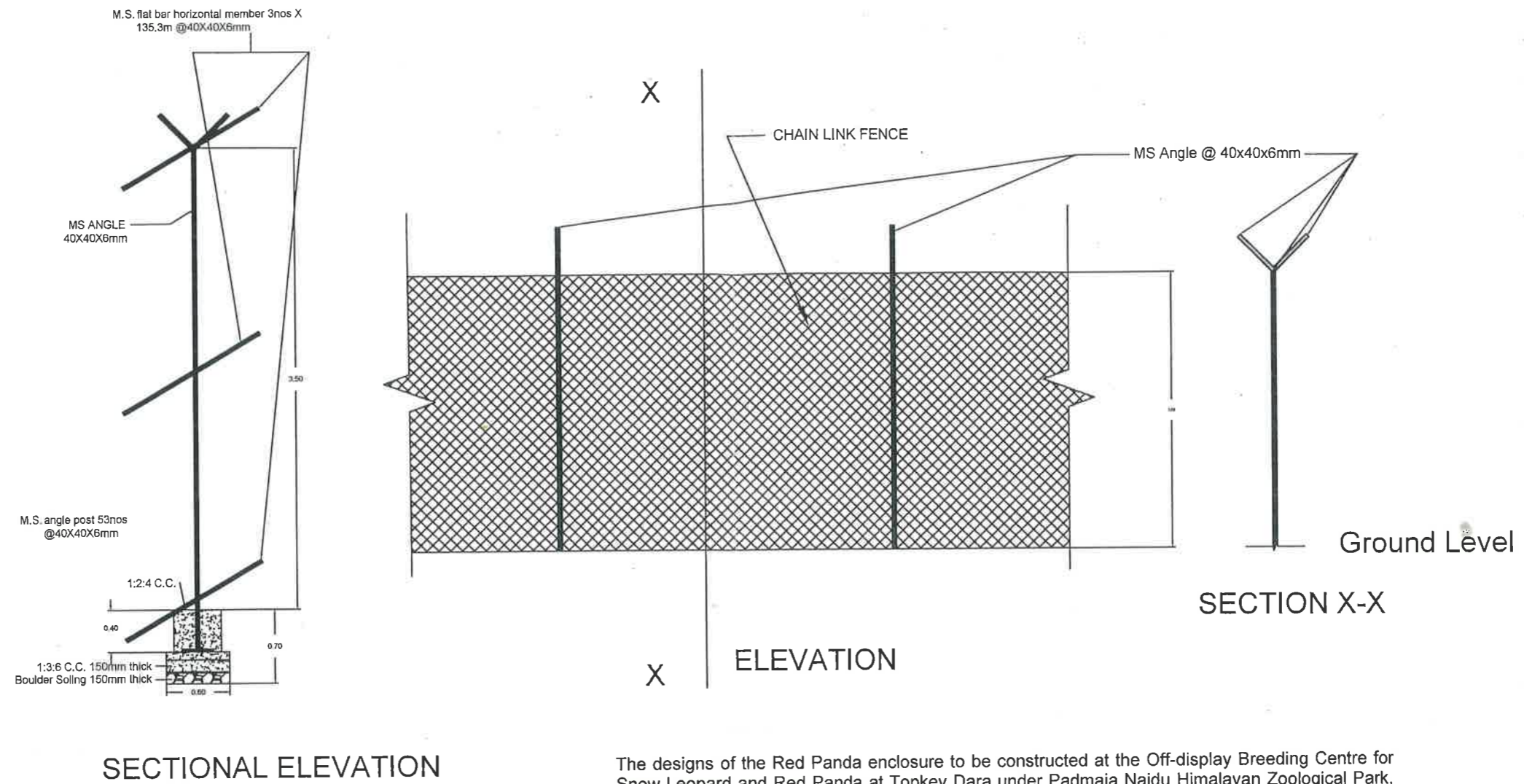
Plan

PADMAJA NAIDU HIMALAYAN ZOOLOGICAL PARK, DARJEELING

Sub Assistant Engineer
PNH Zoological Park
Darjeeling

Estate Officer
PNH Zoological Park,
Darjeeling

Director
PNH Zoological Park,
Darjeeling



The designs of the Red Panda enclosure to be constructed at the Off-display Breeding Centre for Snow Leopard and Red Panda at Topkey Dara under Padmaja Naidu Himalayan Zoological Park, Darjeeling, West Bengal were approved by the 90th meeting of the Expert Group on Zoo Designing, Central Zoo Authority held on 26.11.2019 subject to condition and approval was communicated vide letter No. 19-20 / 92-CZA (Vol. X) (325) (NS) / 1939 / 2019, dated 06.12.2019.

(Handwritten signature)

Authenticated / DR. SONALI GHOSH
 DIG (HQ), CZA
 Dy. Inspector General of Forests (I & O)
 केन्द्रीय विज्ञानाचार प्राधिकरण / Central Zoo Authority
 पर्यावरण, वन और जलवायु परिवर्तन मंत्रालय
 Ministry of Environment, Forest & Climate Change
 भारत सरकार, नई दिल्ली / Govt. of India, New Delhi



Scale 1:50

Construction of Two nos.of Red Panda enclosure at Conservation Breeding Centre, Topkey Dara, Senchel, Darjeeling under PNHZ Park, Darjeeling

Sectional Details

PADMAJA NAIDU HIMALAYAN ZOOLOGICAL PARK, DARJEELING

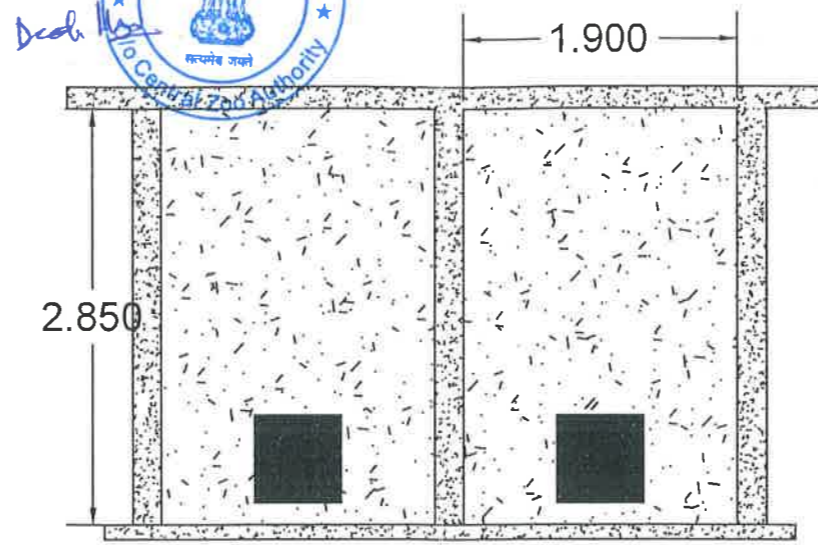
(Signature)
 Sub Assistant Engineer
 PNH Zoological Park
 Darjeeling

(Signature)
 Estate Officer
 PNH Zoological Park,
 Darjeeling

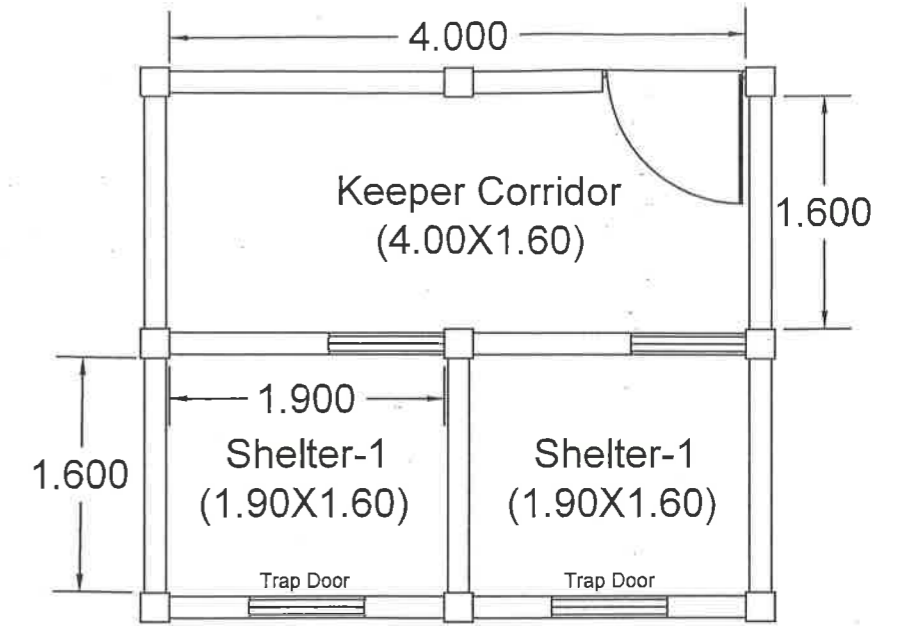
(Signature)
 Director
 PNH Zoological Park,
 Darjeeling

The designs of the Red Panda enclosure to be constructed at the On-display Breeding Centre for Snow Leopard and Red Panda at Topkey Dara under Padmaja Naidu Himalayan Zoological Park, Darjeeling, West Bengal were approved by the 90th meeting of the Expert Group on Zoo Designing, Central Zoo Authority held on 26.11.2019 subject to condition and approval was communicated vide letter No. 19-20 / 92-CZA (Vol. X) (325) (NS) / 1939 / 2019, dated 06.12.2019.

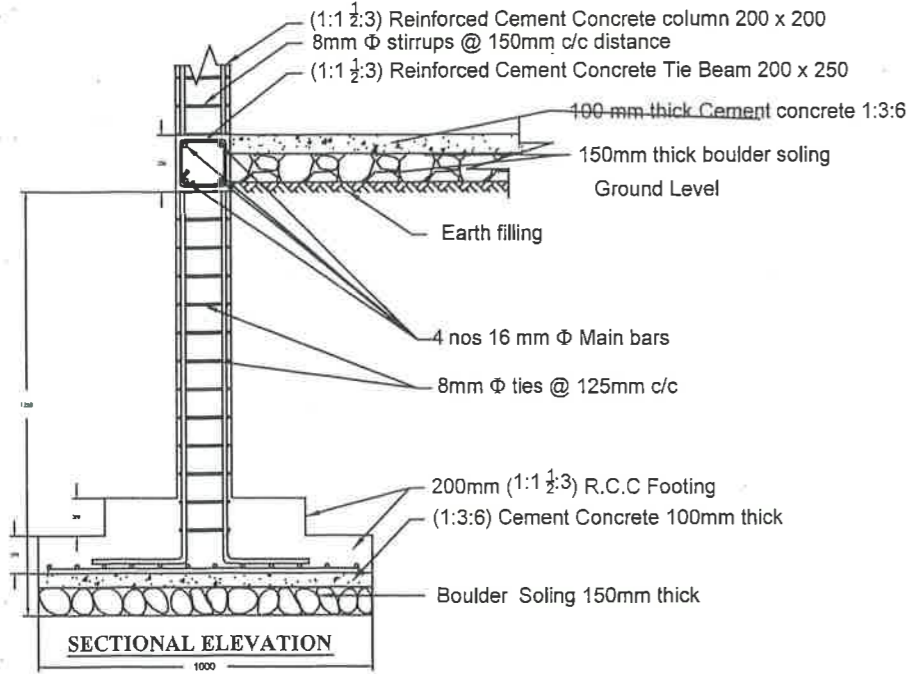
Authenticated
 Dy. Inspector General of Forests (H.Q.)
 Dy. Inspector General of Forests (H.Q.)
 केन्द्रीय विज्ञानाघर प्राधिकरण / Central Zoo Authority
 पर्यावरण, वन और जलवायु परिवर्तन मंत्रालय
 Ministry of Environment, Forest & Climate Change
 भारत सरकार, नई दिल्ली / Govt. of India, New Delhi



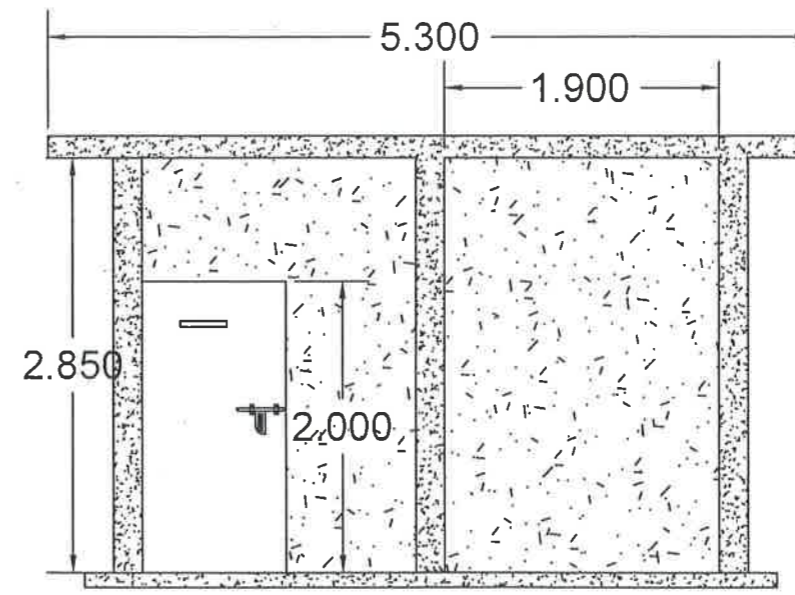
Front Elevation



Plan



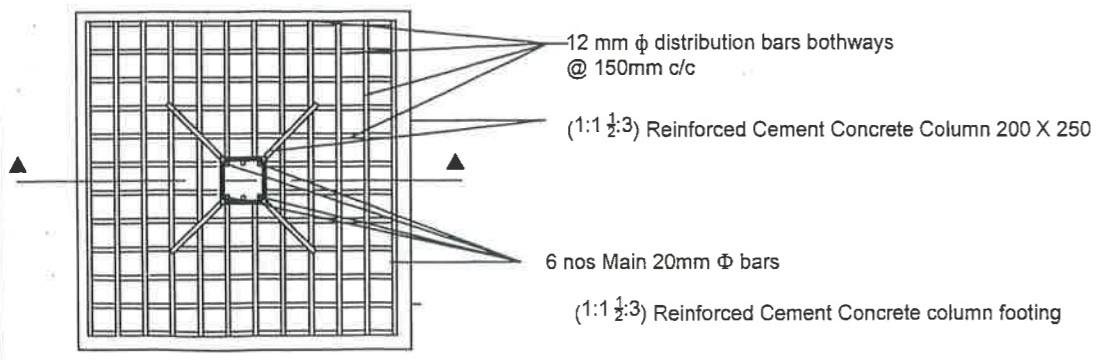
SECTIONAL ELEVATION



Back Elevation



Trap Door



PLAN



Scale 1:50

Construction of Two nos.of Red Panda enclosure at Conservation Breeding Centre, Topkey Dara, Senchel, Darjeeling under PNHZ Park, Darjeeling

Plan, elevation and Column Found. details

PADMAJA NAIDU HIMALAYAN ZOOLOGICAL PARK, DARJEELING

[Signature]
 Sub Assistant Engineer
 PNH Zoological Park
 Darjeeling

[Signature]
 Estate Officer
 PNH Zoological Park,
 Darjeeling

[Signature]
 Director
 PNH Zoological Park,
 Darjeeling