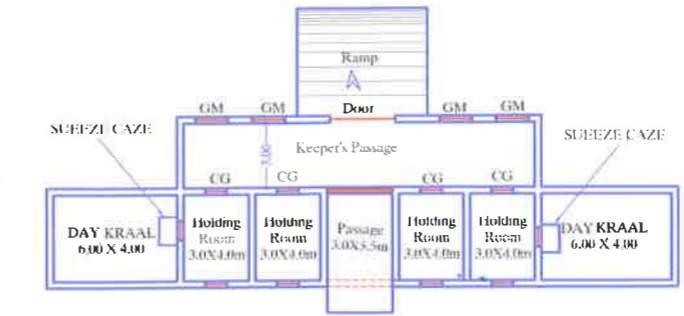
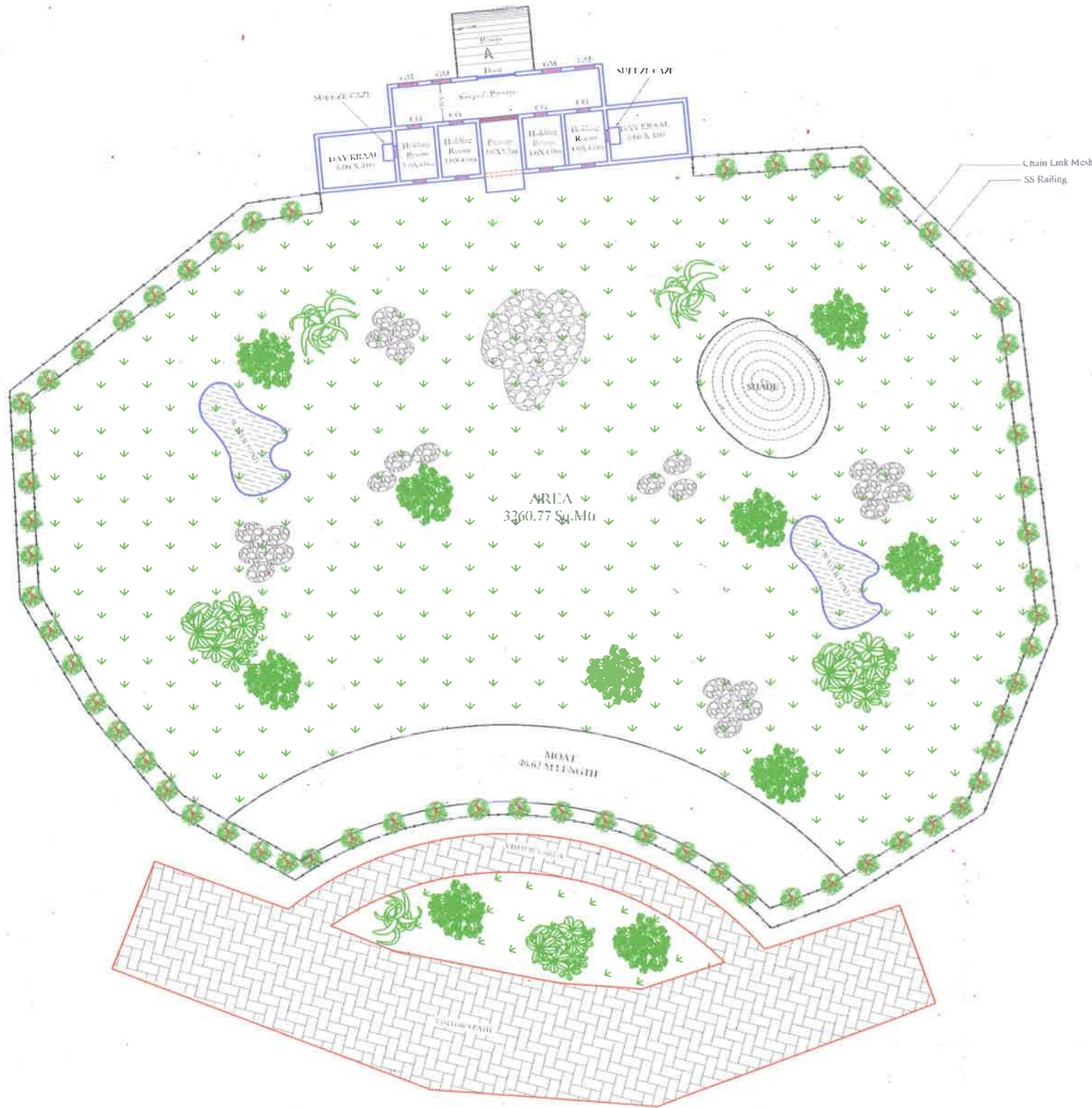
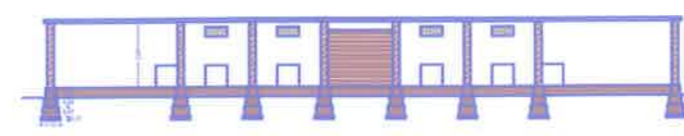


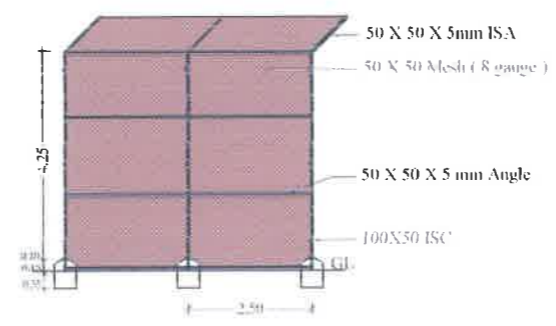
PLAN SHOWING PROPOSED ENCLOSURE OF "TIGER" AT PROPOSED TIGER & LION SAFARI AT TYAVAREKOPPA, SHIMOGA.



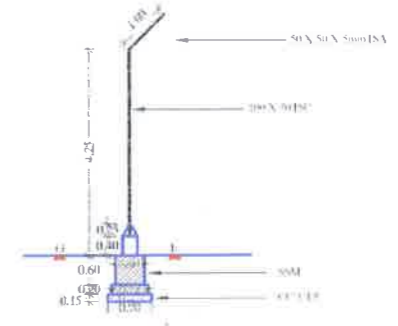
CROSS SECTION OF HOLDING ROOM WALL



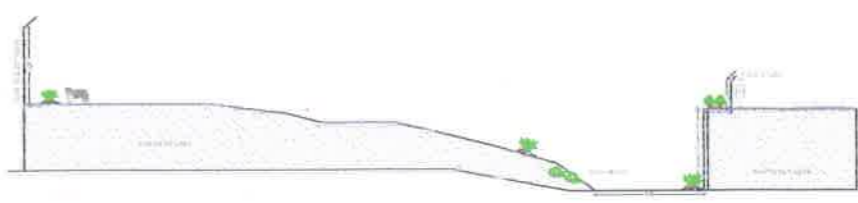
CROSS SECTION OF HOLDING ROOM UNIT



SECTION OF CHAIN LINK MESH



CROSS SECTION OF FLENCING



CROSS SECTION OF TIGER ENCLOSURE



CROSS SECTION OF MOAT WALL

The drawing of Tiger enclosure to be constructed at the Tiger and Lion Safari, Shimoga, Karnataka was approved in the 86<sup>th</sup> Meeting of the Expert Group on Zoo Designing of the Central Zoo Authority held on 23.07.2019.

*Signature*



ENGINEER

*Signature*  
RANGE FOREST OFFICER  
TIGER AND LION SAFARI  
TYAVAREKOPPA  
SHIMOGA

*Signature*  
EXECUTIVE DIRECTOR  
TIGER AND LION SAFARI  
TYAVAREKOPPA  
SHIMOGA

*Signature*  
ADDITIONAL PRINCIPAL CHIEF  
CONSERVATOR OF FORESTS MEMBER SECRETARY  
ZOO AUTHORITY OF KARNATAKA, MYSURU  
Additional Principal Chief Conservator  
of Forests and Member Secretary,  
Zoo Authority of Karnataka, Mysore

*Signature*  
सदस्य सचिव/Member Secretary  
केन्द्रीय चिड़ियाघर प्राधिकरण/Central Zoo Authority  
पर्यावरण वन और जलवायु परिवर्तन मंत्रालय  
Ministry of Environment, Forest & Climate Change  
MEMBER SECRETARY  
CENTRAL ZOO AUTHORITY  
सर्वकार, नई दिल्ली  
GOVT. OF INDIA, NEW DELHI  
MINISTRY OF ENVIRONMENT, FOREST & CLIMATE CHANGE  
GOVERNMENT OF INDIA, NEW DELHI