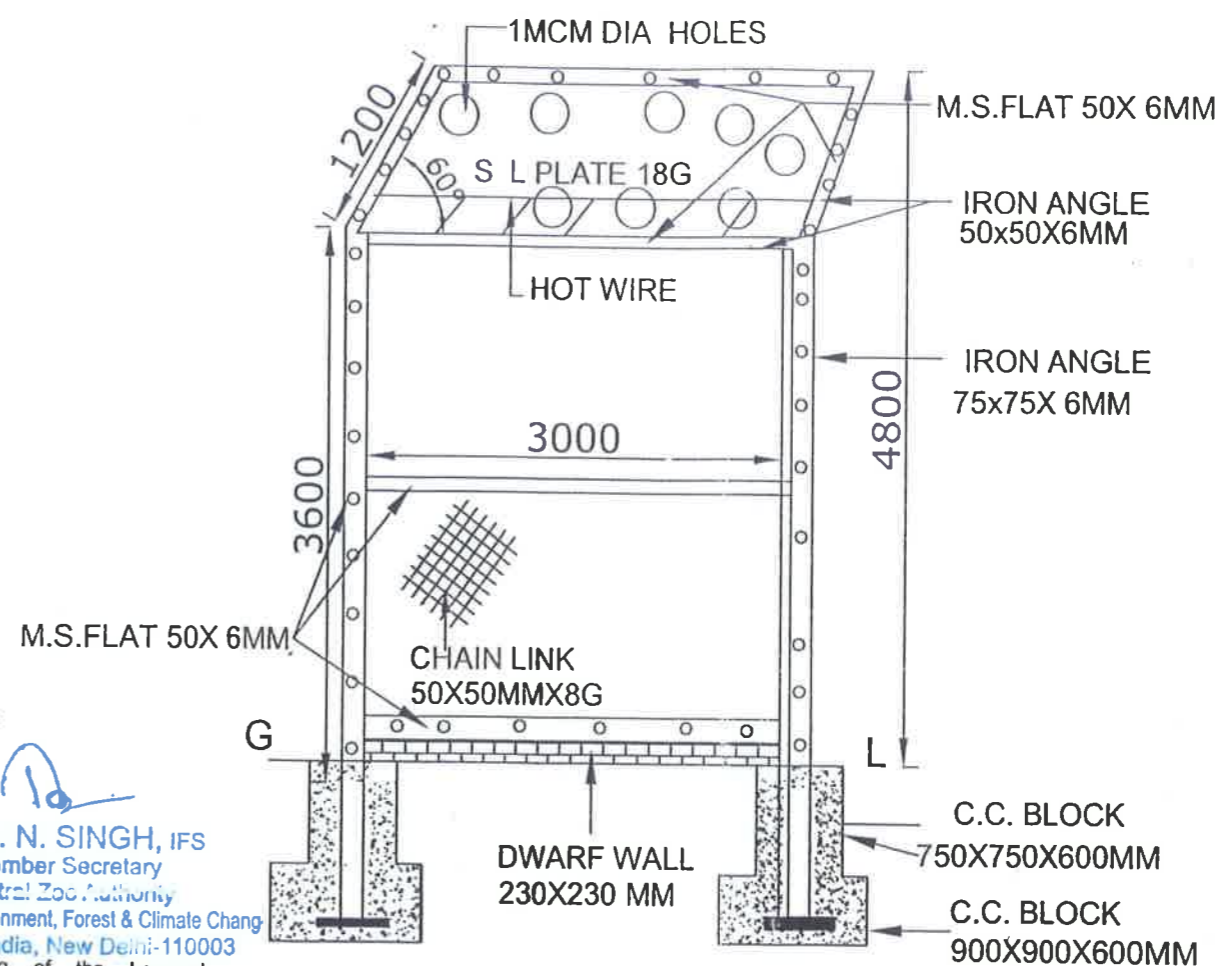
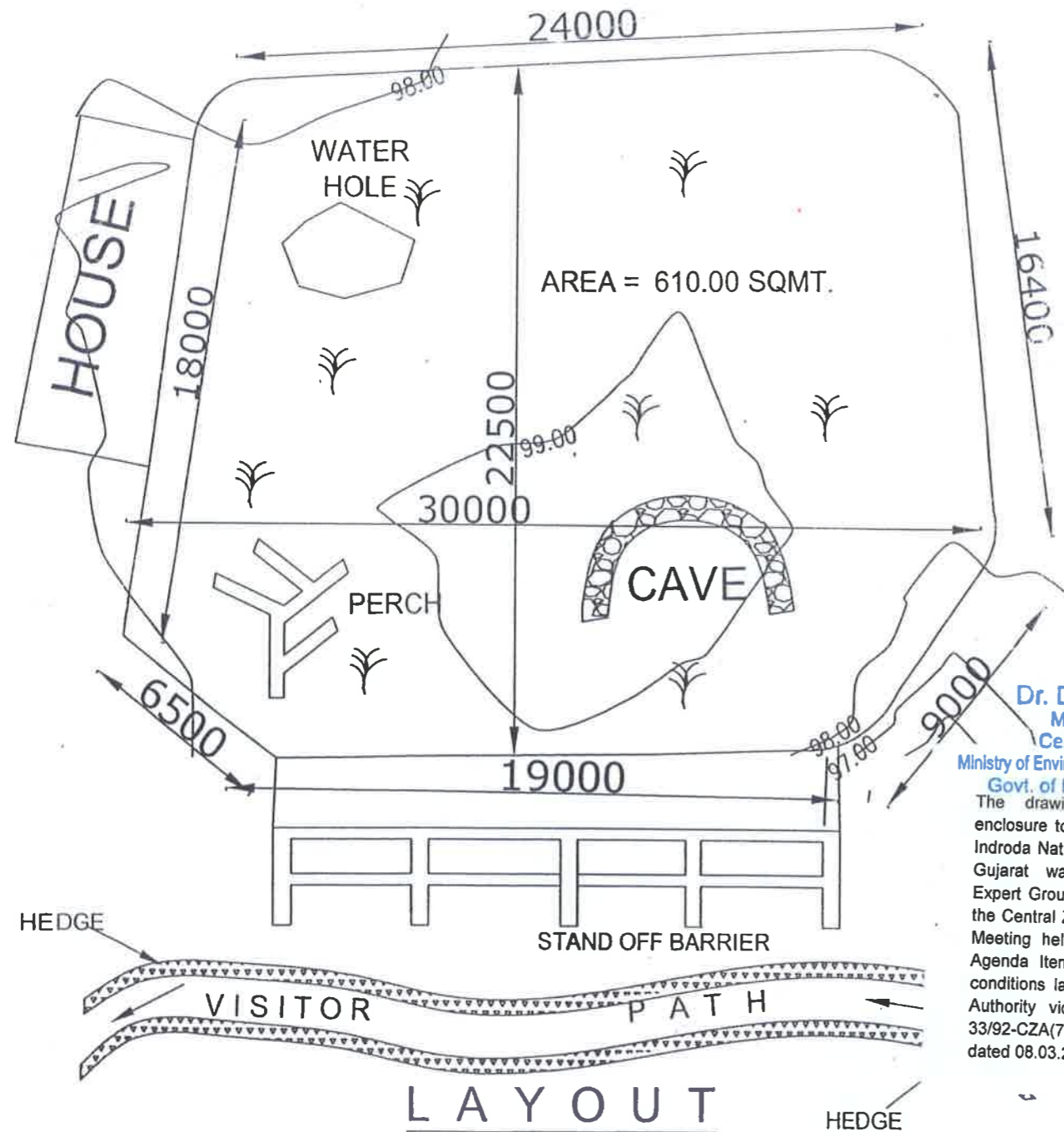


LEOPARD ENCLOSURE



CHAIN LINK FENCING

Dr. D. N. SINGH, IFS
Member Secretary
Central Zoo Authority
Ministry of Environment, Forest & Climate Change
Govt. of India, New Delhi-110003

The drawing of the Leopard enclosure to be constructed at the Indroda Nature Park, Gandhinagar, Gujarat was approved by the Expert Group on Zoo Designing of the Central Zoo Authority in its 76th Meeting held on 15.02.2018 vide Agenda Item No. 1(3) subject to conditions laid by the Central Zoo Authority vide letter F. No. 19-33/92-CZA(72)(Vol. V)(PKR)/2550 dated 08.03.2018.



Chief Wildlife Warden
Gujarat State
Gandhinagar



INDRODA NATURE PARK
GANDHI NAGAR
@COPYRIGHT RESERVED



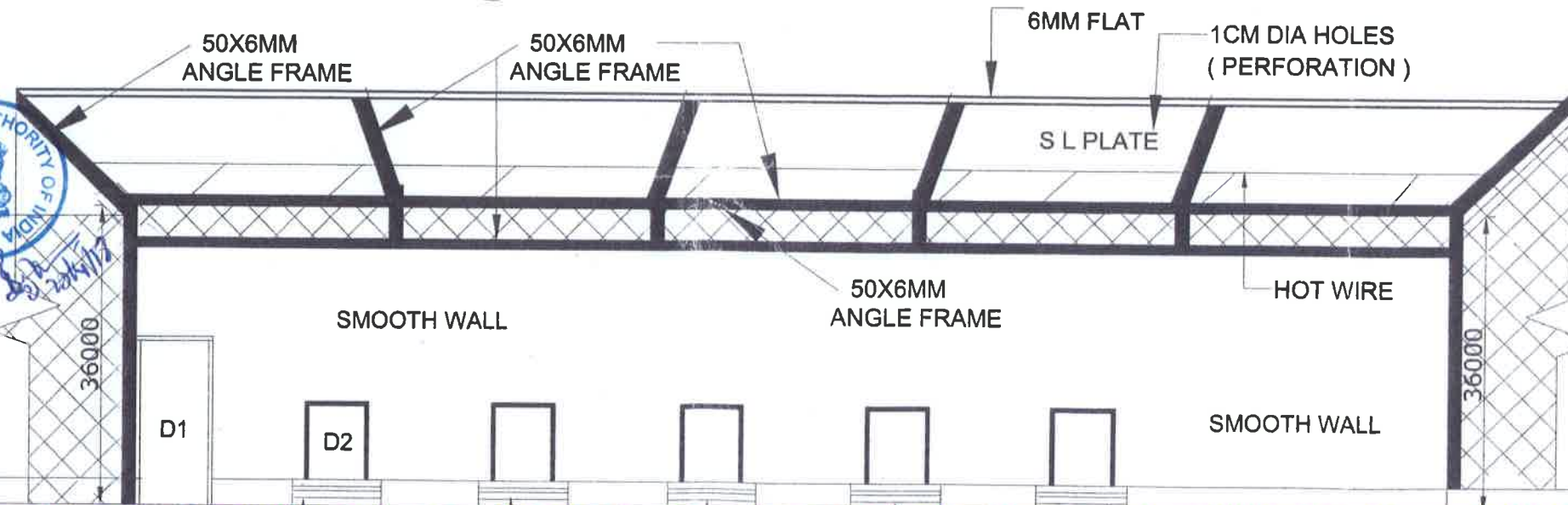
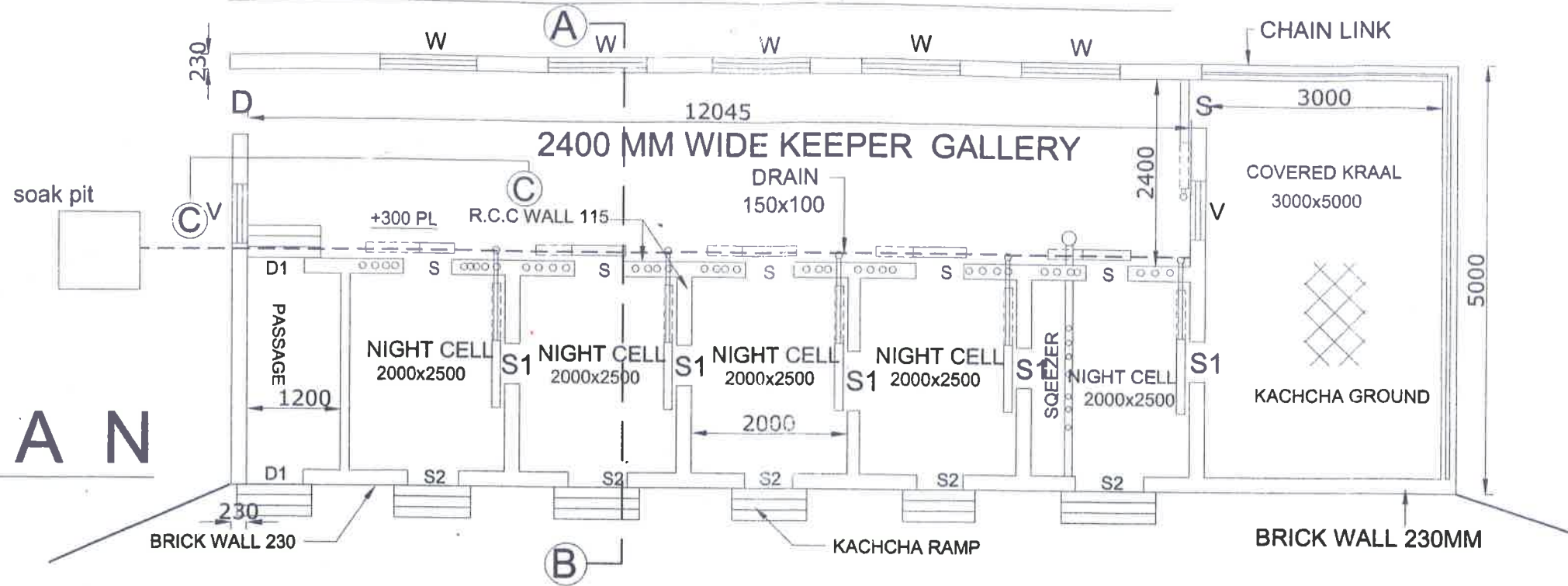
Drg title :
Scale : 1:270
Drawn by:- AWADHESH SHARMA
DRAUGHTS MAN (CIVIL)
A- 1095/4 INDIRA NAGAR LUCKNOW

CONCEPT DESIGN BY
R.S. BHADOURIA, I.F.S. [Retd.]
LUCKNOW

R.D. KAMBOJ I.F.S.
DIRECTOR GEER FOUNDATION
GANDHI NAGAR

LEOPARD ENCLOSURE

L A N



of the Leopard
constructed at the
Park, Gandhinagar,
approved by the
Zoo Designing of
Authority in its 76th
15.02.2018 vide
1(3) subject to
the Central Zoo
letter F. No. 19-
I. V(PKR)/2550



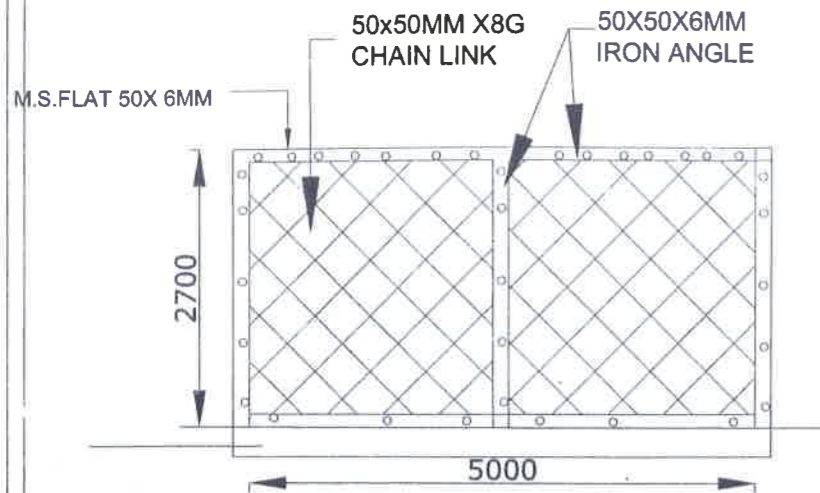
INGH, IFS
Secretary
o Authority
Forest & Climate Change
New Delhi-110003

LEOPARD ENCLOSURE

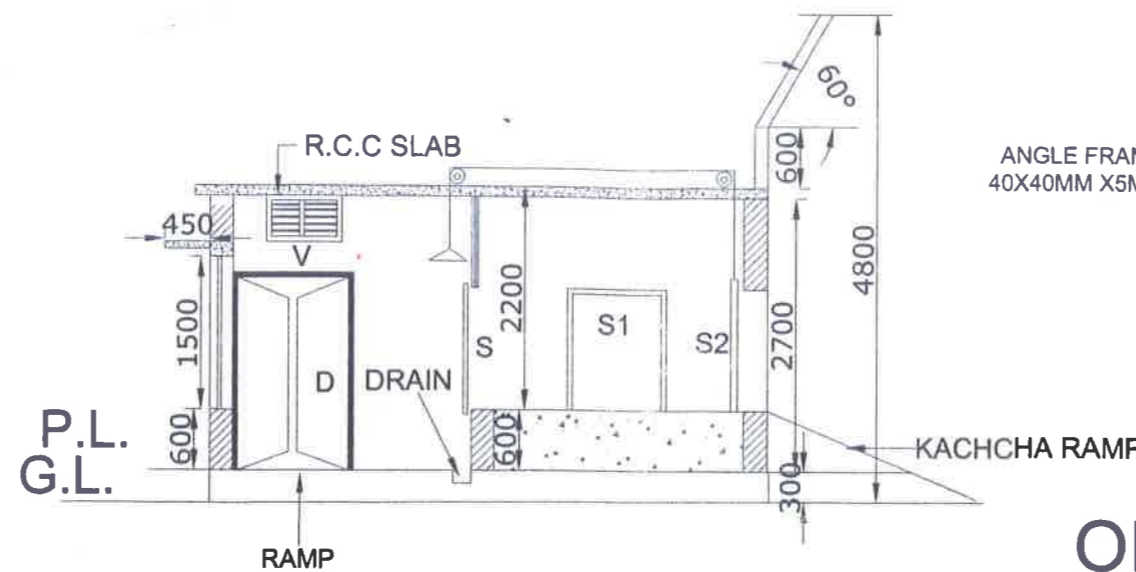
The drawing of the Leopard enclosure to be constructed at the Indroda Nature Park, Gandhinagar, Gujarat was approved by the Expert Group on Zoo Designing of the Central Zoo Authority in its 76th Meeting held on 15.02.2018 vide Agenda Item No. 1(3) subject to conditions laid by the Central Zoo Authority vide letter F. No. 19-33/92-CZA(72)(Vol. V)(PKR)/2550 dated 08.03.2018.



Dr. D. N. SINGH, I.F.S.
Member Secretary
Central Zoo Authority
Ministry of Environment, Forest & Climate Change
Govt. of India, New Delhi-110003



**ELEVATION
RIGHT SIDE**



SECTION - AT A - B



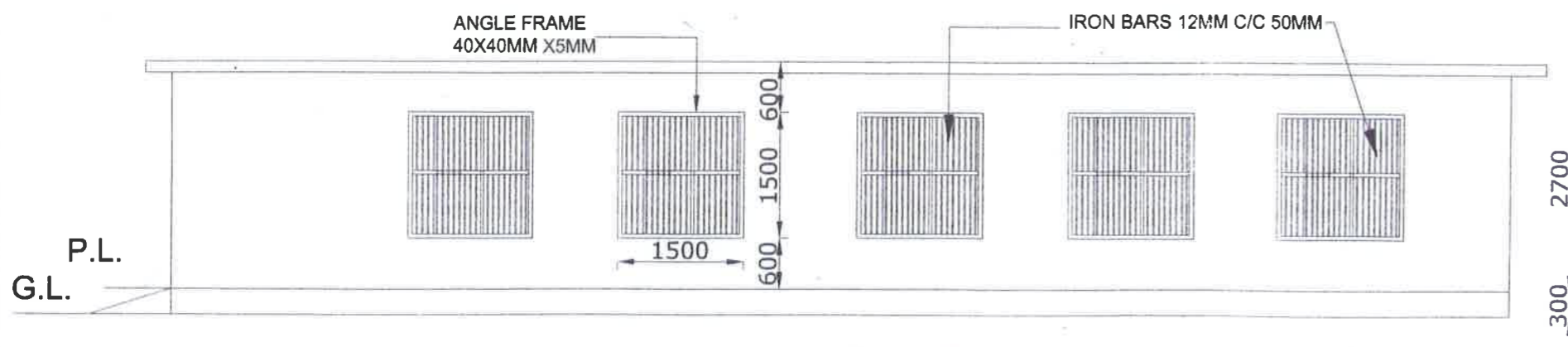
**ELEVATION
OF NIGHT CELL AT C-C**

DOOR WINDOW SCHEDULE

NO.	NAME	SIZE	TYPE
1	D	1200X1950	MS DOUBLEHINGE DOOR
2	D1	900 X1950	GRILL DOOR
3	S	750 X1200	GRILL DOOR SLIDING
4	S1	750 X1200	SL SHEET SLIDING DOOR
5	S2	750 X1200	SL SHEET DRAW UP SLIDING DOOR
6	W	1500 X1500	GRILL
7	V	750 X450	GRILL

C.S.
S.A.W.

Chief Wildlife Warden
Gujarat State
Gandhinagar



BACK WALL ELEVATION

INDRODA NATURE PARK
GANDHI NAGAR

@COPYRIGHT RESERVED

NORTH



Drg title :

Scale :

1:100

Drawn by:-

AWADHESH SHARMA
DRAUGHTS MAN (CIVIL)

A- 1095/4 INDIRA NAGAR LUCKNOW

CONCEPT DESIGN BY

R.S. Bhaduria
R.S. BHADURIA, I.F.S. [Retd.]
LUCKNOW

R.D. Kamboj
R.D. KAMBOJ, I.F.S.
DIRECTOR GEER FOUNDATION
GANDHI NAGAR

