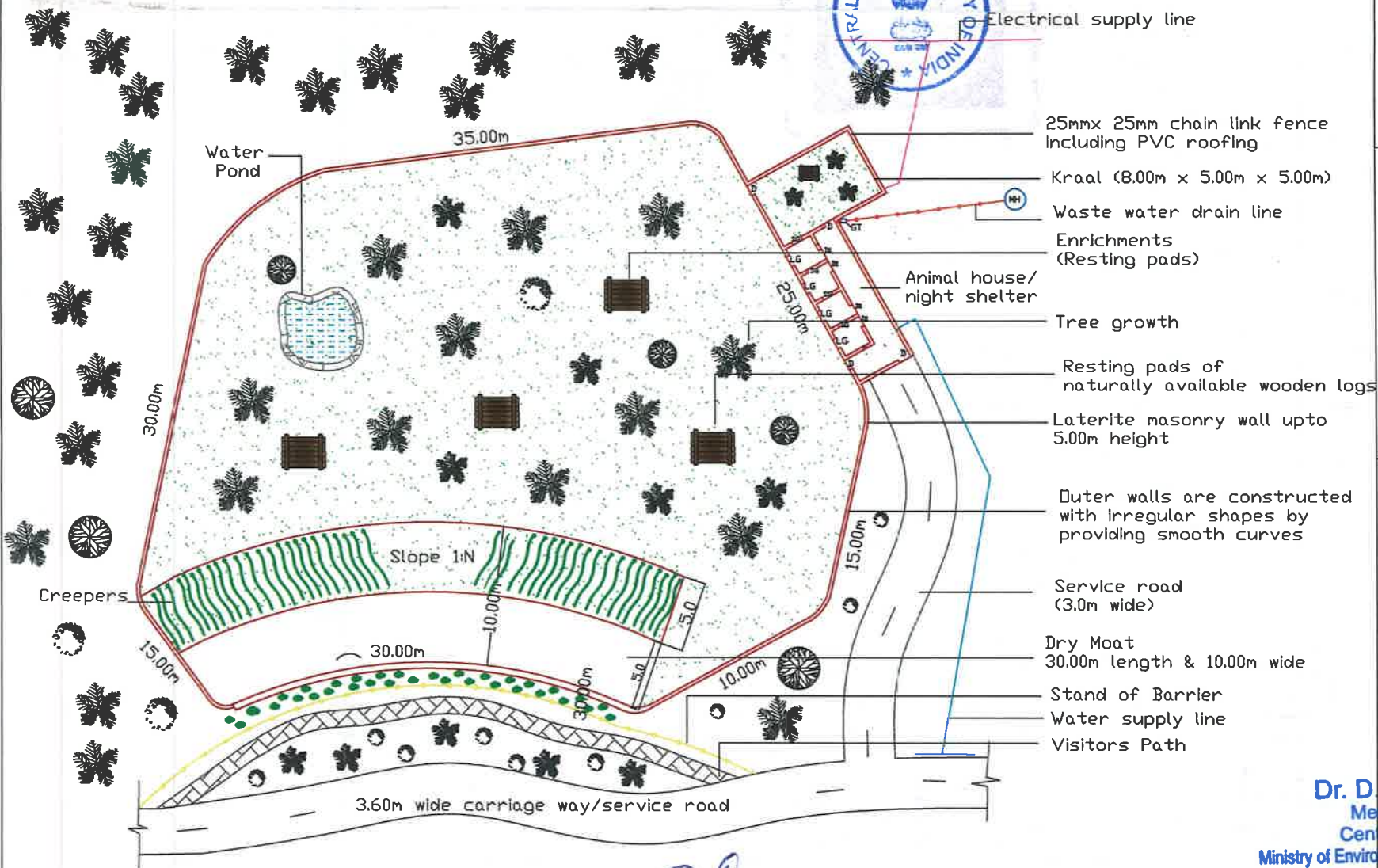


Drawing of enclosure for Lion-tailed macaque at the Pilikula Biological Park, Mangaluru, Karnataka received vide letter dated 22.08.2017 from the Zoo Director is found in compliance with observations made by the Expert Group on Zoo Designing, Central Zoo Authority in its 74th meeting held on 13th & 14th July, 2017 vide Agenda Item No. 3(I)(A). While construction of enclosures, structural stability of the enclosures should be ensured by the concerned Structural Engineer.



PROPOSED PLAN OF LION TAILED MACAQUE ENCLOSURE IN PILIKULA BIOLOGICAL PARK AT DR SHIVARAMA KARANATHA PILIKULA NISARGA DHAMA MANGALURU

INDEX:
 Total area of enclosure- 1500 sqm
 Total Height of enclosure- 5.00 m
 Total Depth of Dry/ wet moat- 5.00 m
 MH - Manhole
 GT - Gully trap

- Electrical supply line
- 25mmx 25mm chain link fence including PVC roofing
- Kraal (8.00m x 5.00m x 5.00m)
- Waste water drain line
- Enrichments (Resting pads)
- Animal house/ night shelter
- Tree growth
- Resting pads of naturally available wooden logs
- Laterite masonry wall upto 5.00m height
- Duter walls are constructed with irregular shapes by providing smooth curves
- Service road (3.0m wide)
- Dry Moat 30.00m length & 10.00m wide
- Stand of Barrier
- Water supply line
- Visitors Path

Dr. D. N. SINGH, IFS
 Member Secretary
 Central Zoo Authority
 Ministry of Environment, Forest & Climate Change
 Govt. of India, New Delhi-110003

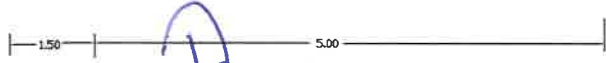
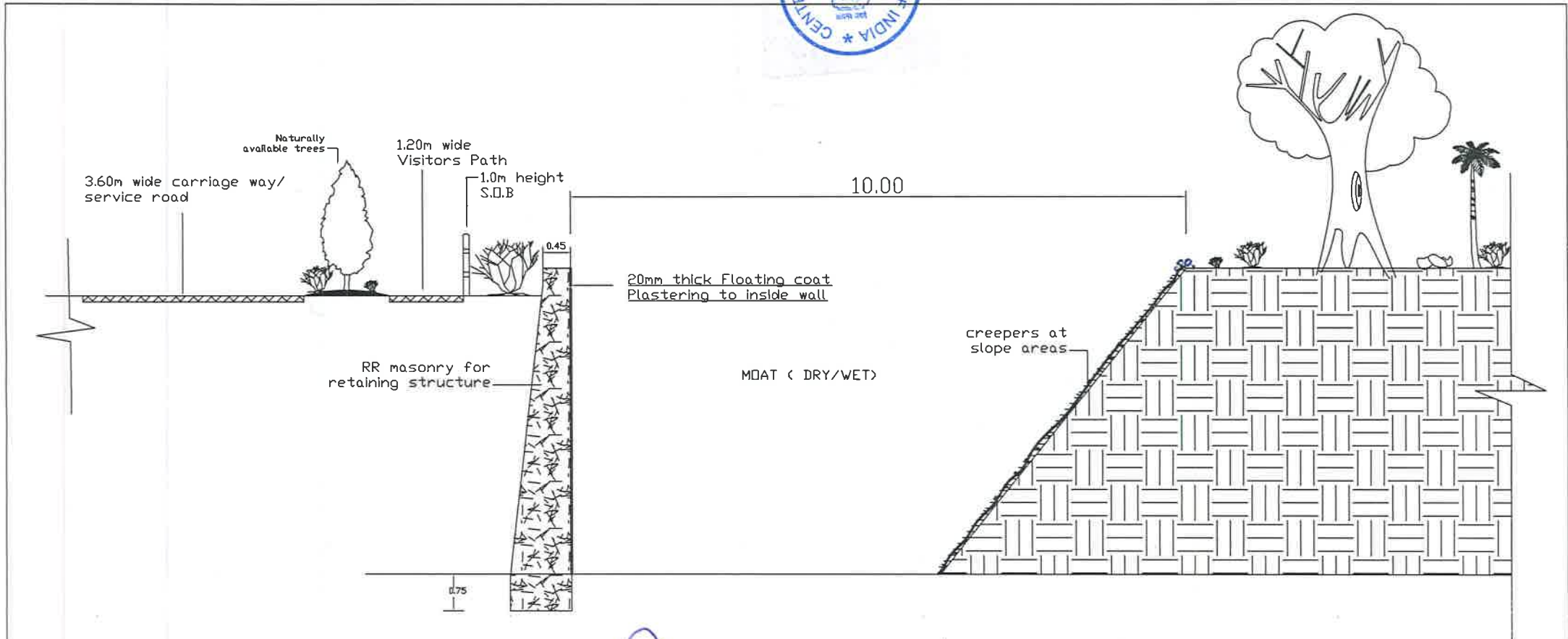
Asst Engineer
 Pilikula Biological Park
 Mangaluru

Director
 Pilikula Biological Park
 Mangaluru

Project Engineer
 Pilikula Nisarga Dhama
 Mangaluru

All Dimensions are in M

Drawing of enclosure for Lion-tailed macaque at the Pilikula Biological Park, Mangaluru, Karnataka received vide letter dated 22.08.2017 from the Zoo Director is found in compliance with observations made by the Expert Group on Zoo Designing, Central Zoo Authority in its 74th meeting held on 13th & 14th July, 2017 vide Agenda Item No. 3(I)(A). While construction of enclosures, structural stability of the enclosures should be ensured by the concerned Structural Engineer.



Dr. D. N. Singh
Dr. D. N. SINGH, IFS
 Member Secretary
 Central Zoo Authority

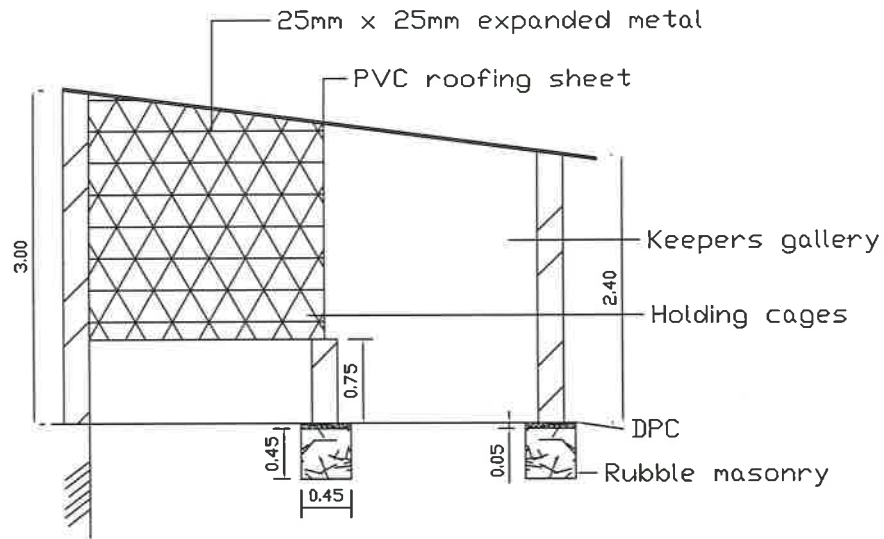
Ministry of Environment, Forest & Climate Change
 Govt. of India, New Delhi-110003

CROSS SECTION OF MOAT

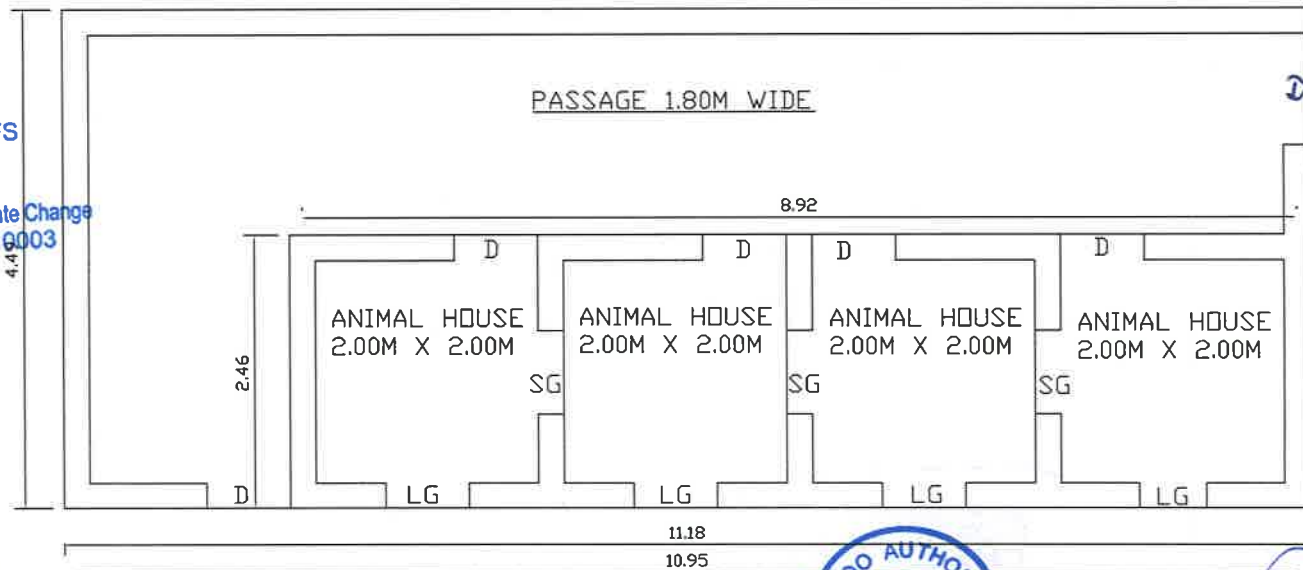
B. S. Karantha
 08/9/17

Ran
Assistant Engineer
PILIKULA BIOLOGICAL PARK
MANGALORE

Shivaram Karantha
PROJECT ENGINEER
Dr. SHIVARAM K. KARANATHA
PILIKULA NISARGA DHARMA
MANGALORE



CROSS SECTION OF ANIMAL HOUSE



PLAN

Dr. D. N. SINGH, IFS
Member Secretary
Central Zoo Authority
Ministry of Environment, Forest & Climate Change
Govt. of India, New Delhi-110003

Assistant Engineer
PILIKULA BIOLOGICAL PARK
MANGALORE

Drawing of enclosure for Lion-tailed macaque at the Pilikula Biological Park, Mangaluru, Karnataka, received vide letter dated 22.08.2017 from the Zoo Director is found in compliance with observations made by the Expert Group on Zoo Designing, Central Zoo Authority in its 74th meeting held on 13th & 14th July, 2017 vide Agenda Item No. 3(1)(A). While construction of enclosures, structural stability of the enclosures should be ensured by the concerned Structural Engineer.



PROJECT ENGINEER
Dr. SHIVARAM KARANATHA
PILIKULA NISARGA DHAMA
MANGALORE