



सत्यमेव जयते

GOVERNMENT OF INDIA
MINISTRY OF ENVIRONMENT, FOREST & CLIMATE CHANGE

Central Zoo Authority



F. No. 22-81/2004-CZA(498)(Vol. III)(NS)(Pt.)/567/2016

Email/Post
Date: 04.04.2016

To

The Principal Chief Conservator of Forests (WL)
& Chief Wildlife Warden
Government of Uttar Pradesh
17, Rana Pratap Marg,
Lucknow. (Uttar Pradesh)

Sub:- Designs of proposed Safari for Leopard, Sloth bear and Antelope at Lion Safari, Etawah, Uttar Pradesh - Reg.

Sir,

This is to inform you that the designs of proposed Safari for Leopard, Sloth bear and Antelope at Lion Safari, Etawah, Uttar Pradesh were placed before the 67th meeting of the Expert Group on Zoo Designing of Central Zoo Authority held on 09.03.2016.

(a) Design of proposed Safari for Leopard:

The design of proposed Safari for Leopard was approved subject to compliance with following conditions:

- Dimensions of feeding cum retiring cells should not be less than 2.0 x 1.80 x 2.5 mts.

(b) Design of proposed Safari for Sloth bear:

The design of proposed Safari for Sloth bear was approved subject to compliance with following conditions:

- Dimensions of feeding cum retiring cells should not be less than 3.0 x 2.0 x 2.5 mts.

(c) Design of proposed Safari for Antelope:

The design of proposed Safari for antelopes was approved subject to compliance with following conditions:

- Dimensions of feeding cum retiring cells should not be less than 3.2 x 2.0 x 2.5 mts.

Keeping in view of the above, the revised design should be submitted along with compliance report for approval and signatures of this Authority.

Yours faithfully,

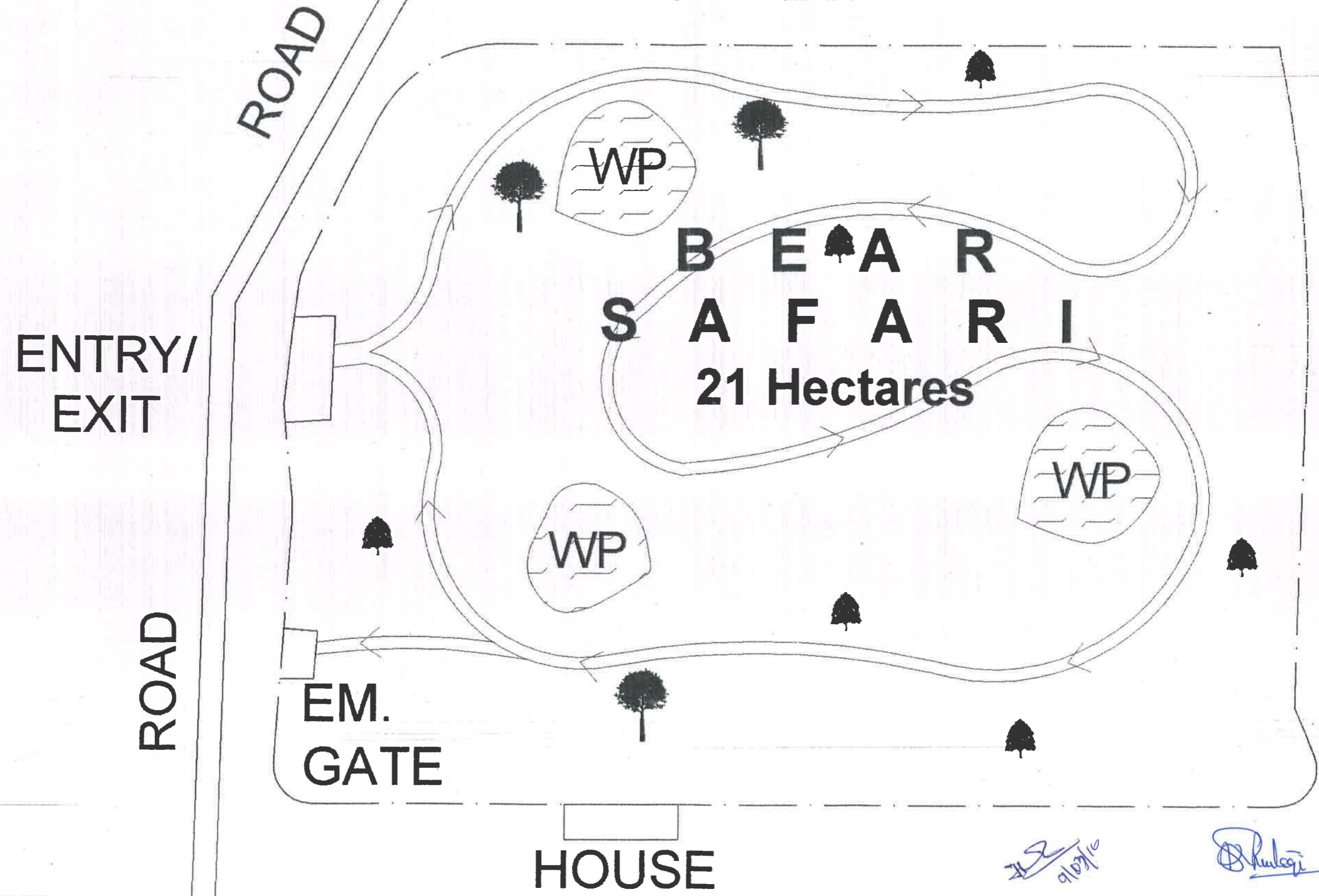
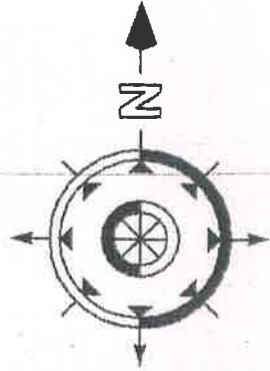
(Dr. D.N. Singh)
Member Secretary

Copy to The Director, Lion Safari, Etawah, U.P. for information and necessary action.

BEAR SAFARI ETAWAH LAYOUT PLAN

208

23



[Signature]

PCCF WILD LIFE
UTTAR PRADESH LUCKNOW

[Signature]

DIRECTOR,
BEAR SAFARI PARK ETAWAH

Architects:

Vishal & Associates
3/77, Viraj khand,
Gomti Nagar, Lucknow
Ph: 9839447965, 9839097571

[Signature]

[Signature]

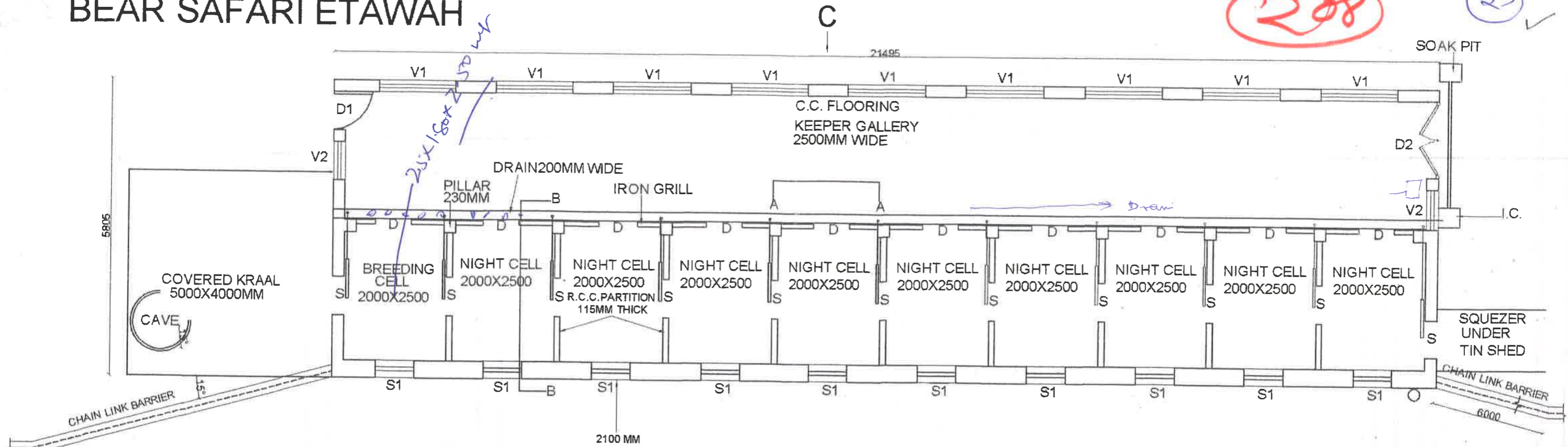
SCALE-

N.T.S.

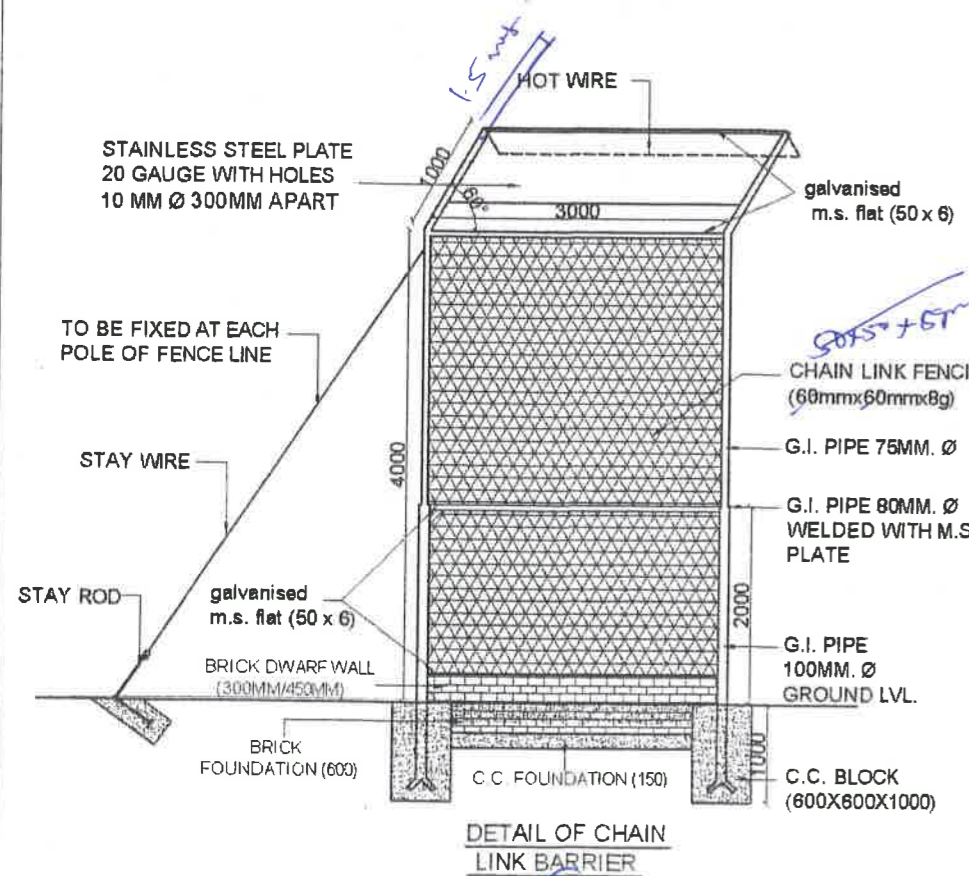
BEAR SAFARI ETAWAH

208

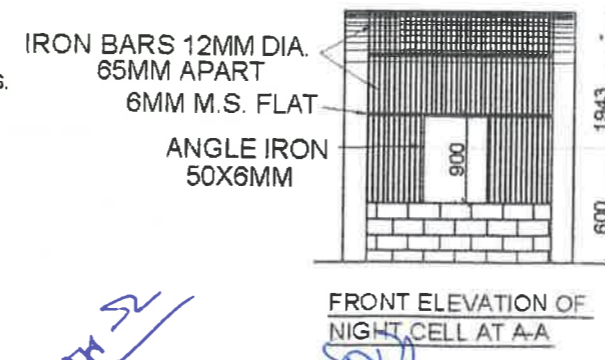
25 ✓



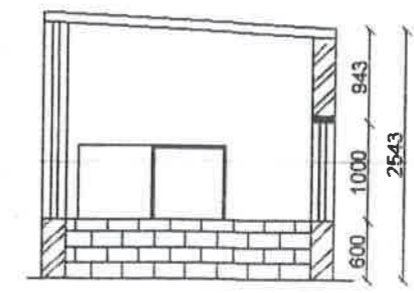
PLAN
S A F A R I A R E A



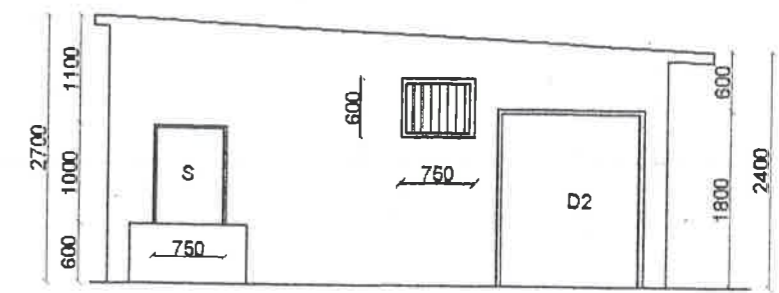
DETAIL OF CHAIN LINK BARRIER



FRONT ELEVATION OF NIGHT CELL AT A-A



SECTION AT B-B



SIDE ELEVATION

PCCF WILD LIFE
UTTAR PRADESH LUCKNOW

DIRECTOR,
LION SAFARI PARK ETAWAH

Architects:
Vishal & Associates
3/77, Viraj khand,
Gomti Nagar, Lucknow
Ph. 9839447965, 9839097571

SCALE-
NTS

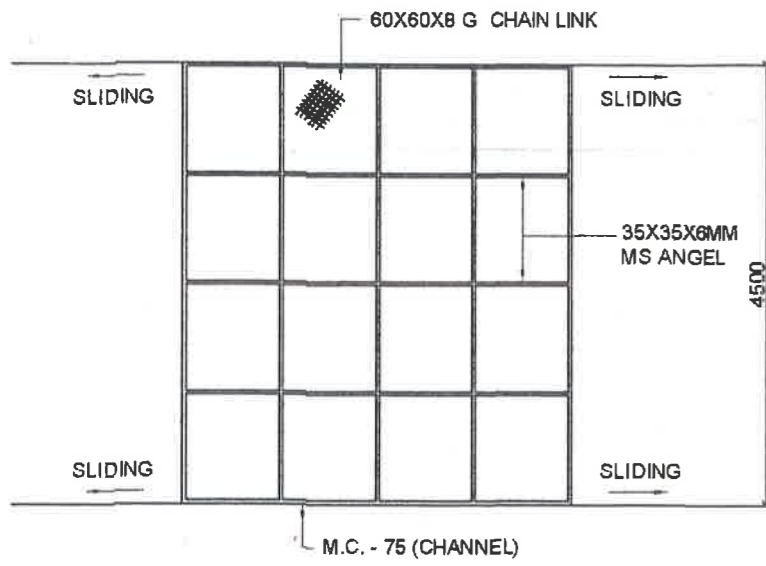
BEAR SAFARI ETAWAH

208

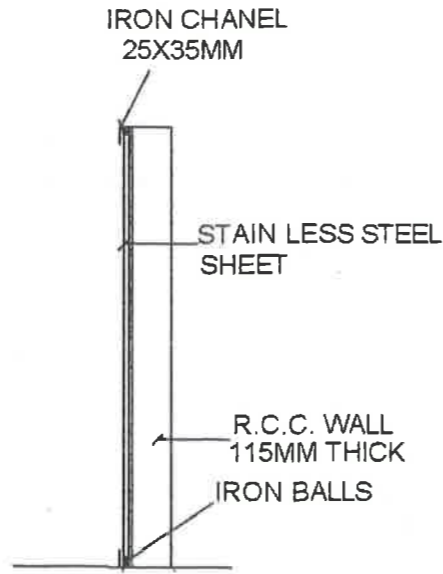
26

DOOR SCHEDULE

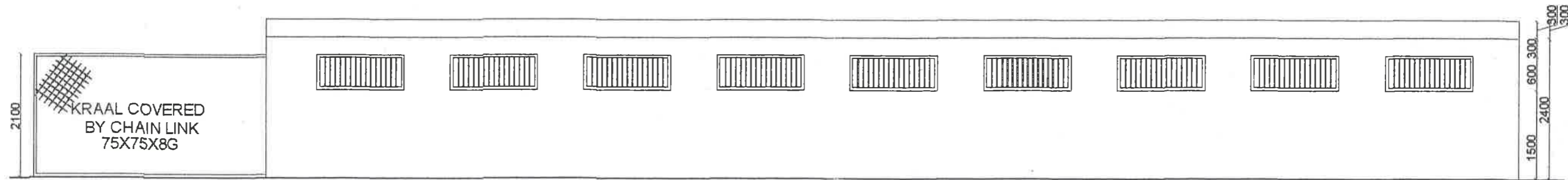
NO.	NAME	SIZE	TYPE
1	D	700X1200	HINGED DOOR (GRILLED)
2	D1	750X1800	HINGED DOOR (WOODEN)
3	D2	1500X1800	HINGED DOOR (WOODEN)
4	S	750X1000	SLIDING (S.L. STEEL SHEET) DOOR
5	S1	750X1000	DRAW UP (S.L. STEEL SHEET) SLIDE
6	V1	1500X600	VENTILATOR
7	V2	750X600	VENTILATOR



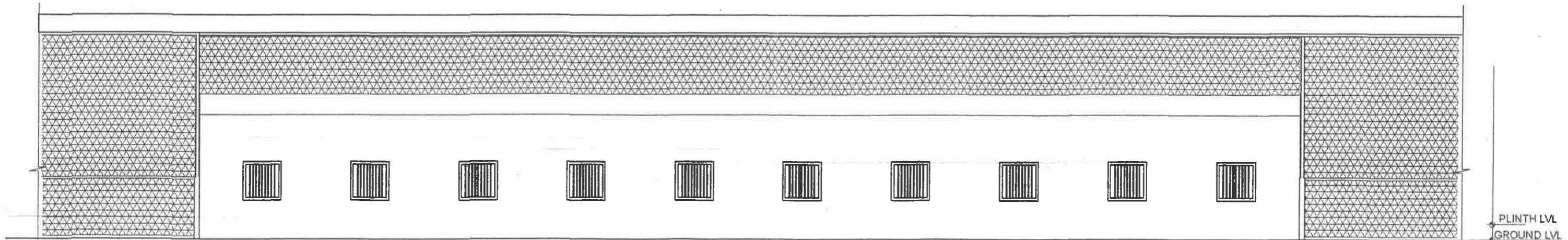
ENTRANCE & EXIT SLIDING DOOR
(DOUBLE DOORS SEPARATED BY 7 M.)



SLIDING DOOR



BACK ELEVATION AT C



FRONT ELEVATION

Upendra
PCCF WILD LIFE
UTTAR PRADESH LUCKNOW

[Signature]
DIRECTOR,
LION SAFARI PARK ETAWAH

Architects:

Vishal & Associates
3/77, Viraj khand,
Gomti Nagar, Lucknow
Ph: 9839447965, 9839097571

SCALE-

NTS