



जहाँ है हरियाली।
वहाँ है खुशहाली।।



GOVERNMENT OF INDIA
MINISTRY OF ENVIRONMENT & FORESTS
Central Zoo Authority

1 Copy
Registered Post



THROUGH REGISTERED POST

F. No. 19-27/92-CZA(73)(Vol. V)(M) 2980

DATE: 12.06.2013

To

The Deputy Municipal Commissioner,
Vadodara Municipal Corporation,
Khanderao Market Bldg.,
Vadodara – 390 001 (Gujarat).

Sub:- Designs for the construction of various enclosures at Sayaji Baag Zoo, Vadodara (relocation of Ajwa Zoological Park at Ajwa).

Ref:- Your letter No. 72/2013-14 dated 26.04.2013.

Sir,

Reference is invited to the above cited correspondence.

The designs for the construction of various enclosures at Sayaji Baag Zoo, Vadodara (relocation of Ajwa Zoological Park at Ajwa) were placed before the Meeting of the Expert Group on Zoo Designing of the Central Zoo Authority held on 28th May, 2013.

After detailed deliberation, the following observations were made:-

The committee members re-visited the Master (layout) Plan and found that the area under animal enclosures and other structures is much beyond the permissible limit as prescribed in the Recognition of Zoo Rules, 2009. The same should not exceed 30% of the total area of the zoo. After seeing the Master Plan it appears that the area proposed under animal enclosures is much more than the prescribed limit, therefore the zoo authorities may rectified by re-visiting Master (layout) plan. The existing species in the zoo and indigenous species of the region should be given priority.

The designs of the animal exhibits were scrutinized and following observations were made:-

(i) Leopard enclosures

The design was scrutinized and not approved. However following observations were made:-

- Size of the paddock should be about 600 sqm and of irregular shape with chain-link fence of 3 m height and 1.5 m overhang with 60 degree shape.
- Overhang should not be covered as of straight.

...2/-

- (c) Chain-link should be 75mmx75mmx8 guage.
- (d) From the paddock there should be only two enters to night shelter with drop doors.
- (e) There should be one keeper's gallery of about 3 m width and 2m height.
- (f) From keeper's gallery to the night shelter only single door entry and between the night shelter sliding doors should be installed for inter connection.
- (g) The floor of the night shelter should be atleast 1m height for the ground level and drainage should be provided.

(ii) Small cats (Leopard cat, Jungle cat, Fishing cat)

The design was scrutinized and not approved. However following observations were made:-

- (a) Enclosure should not be covered from top.
- (b) 3 m high chain-link with 1.5 over hang inclined inside with 60 degree slope.
- (c) Chain-link fence on the angle iron should not have blot facing inside to present any hold for the animal.
- (d) Slope should not be generated but preferably irregular.
- (e) No door should open into paddock directly from outside.
- (f) The night shelter should be of the movement size prescribed by CZA guidelines with keepers gallery and door.
- (g) Chain-link should be of 12 mm guage.
- (h) The slope of feeding cell/ night shelter should not be extent into paddock.
- (i) Naturalistic perches like free shrubs and bamboo should be provided.

(iii) Sloth bear enclosure

The design was scrutinized and not approved. However following observations were made:-

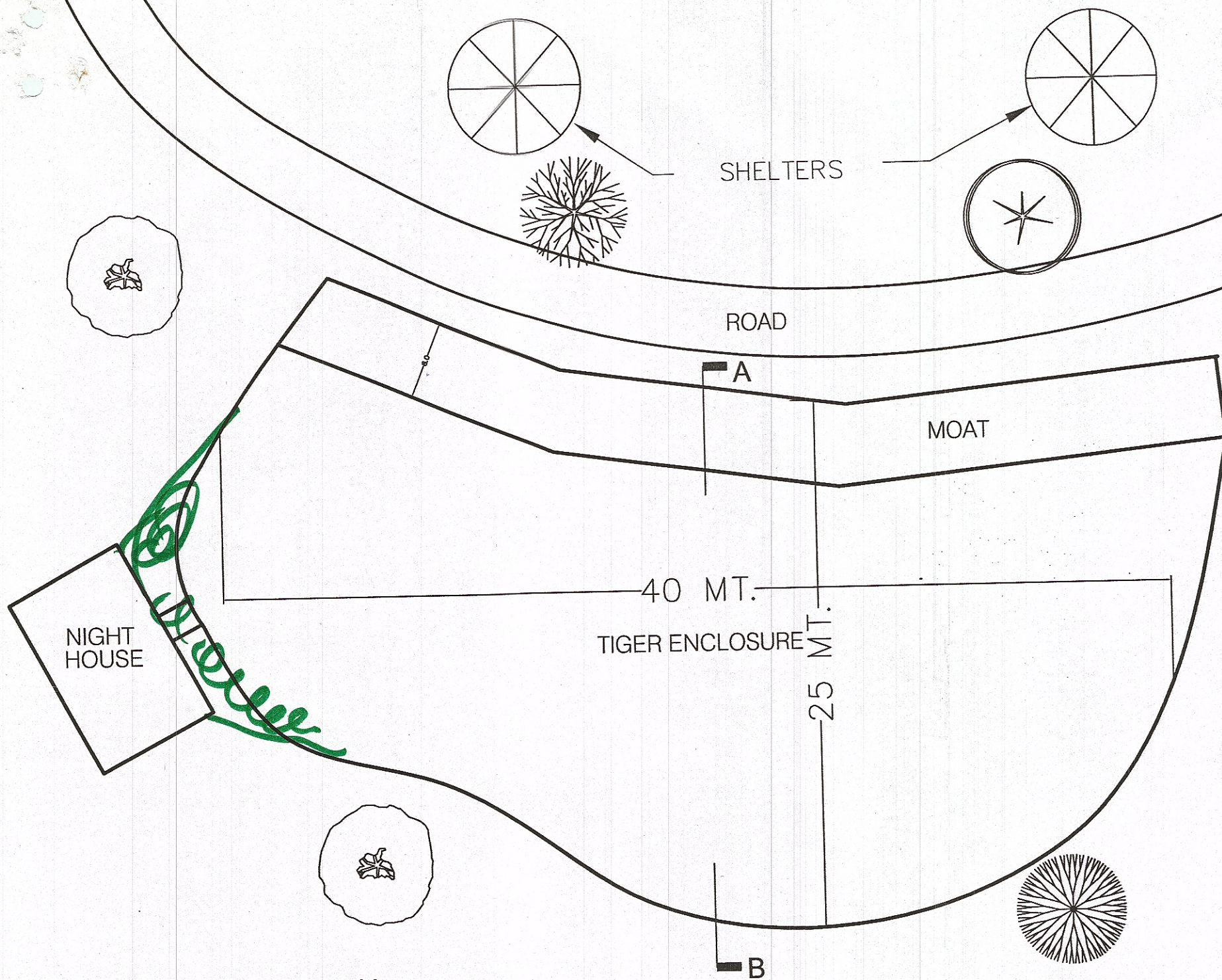
- (a) Outer boundary to be partly walked and partly moated.
- (b) Inner code of moat should be slaps and height of outer wall not more than 3 meter.
- (c) Details of night shelter on plan, elevation and cross-section need to be given.

(i) Rhesus macaque enclosure

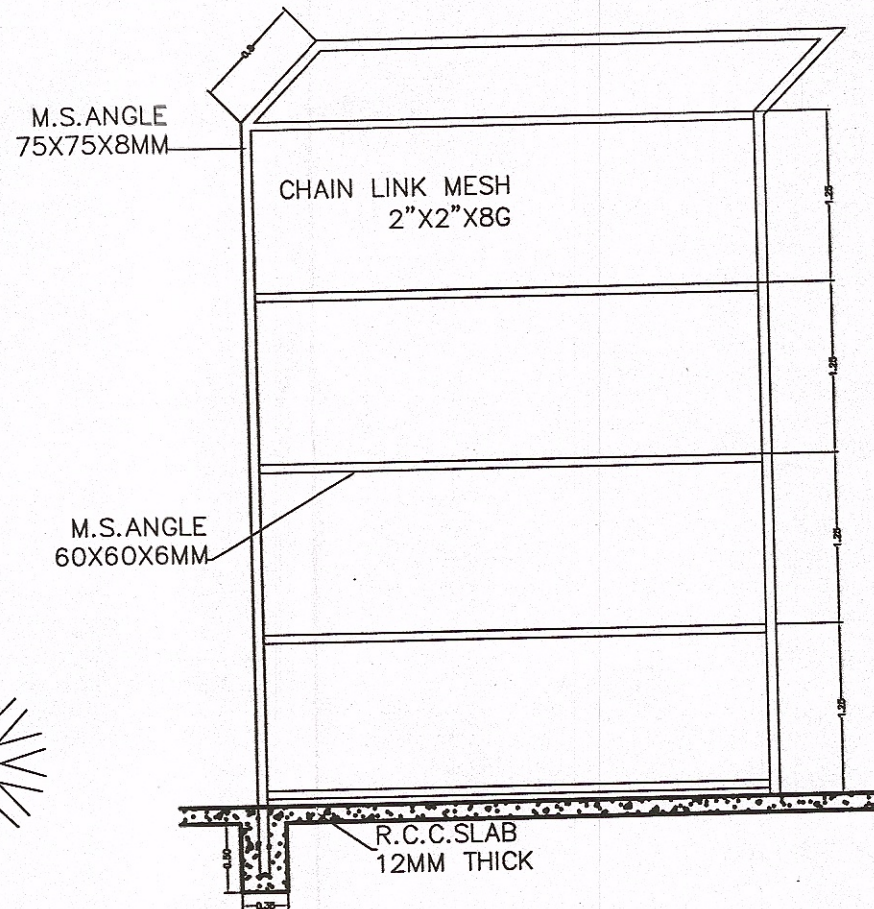
The design was scrutinized and not approved. However following observations were made:-

- (a) Enclosure should be re-designed making use of chain-link fence as the barrier all sides except the viewing area.
- (b) Chain-link should be 3m height with overhang of 1.5 m included inside at 60 degree angle.

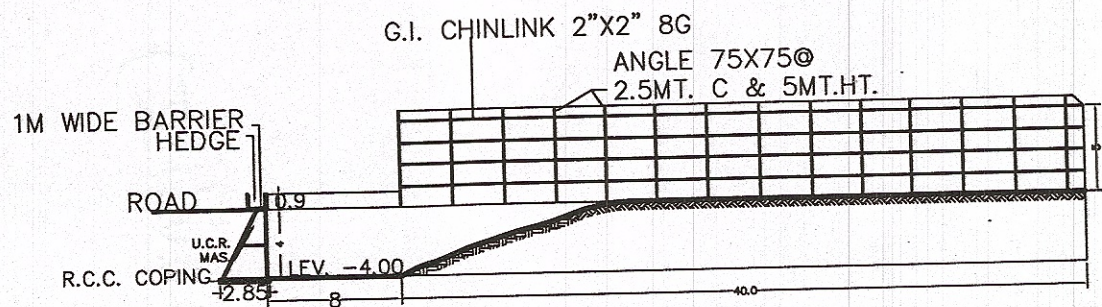
O.K. 46
 177



PLAN
 SCALE: 1: 200



DETAILS OF CHAIN LINK FENCE
 TIGER ENCLOSURE SCALE: 1: 25



SECTION AT AB
 SCALE: 1: 200

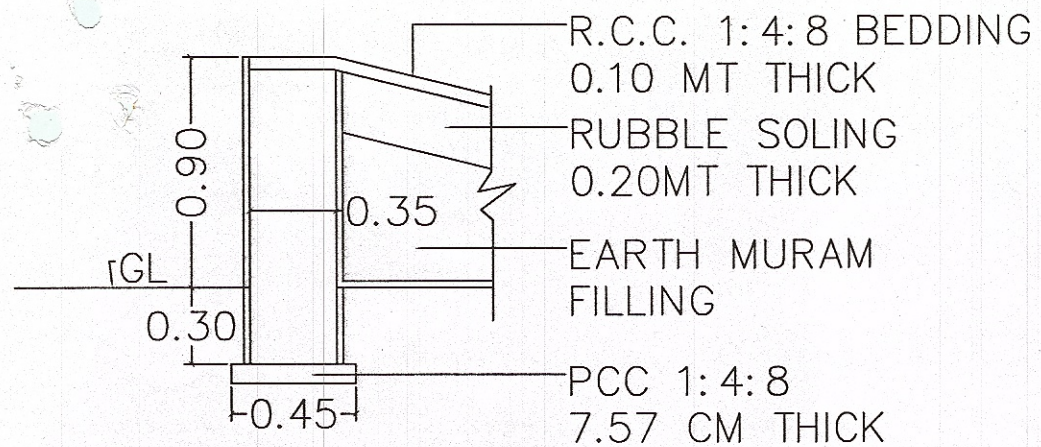
Approved subject to changes as suggested
(41st meeting of Extd Com on 28/05/11)
Zn Darghy

24

ZOOLOGICAL PARK, AJWA

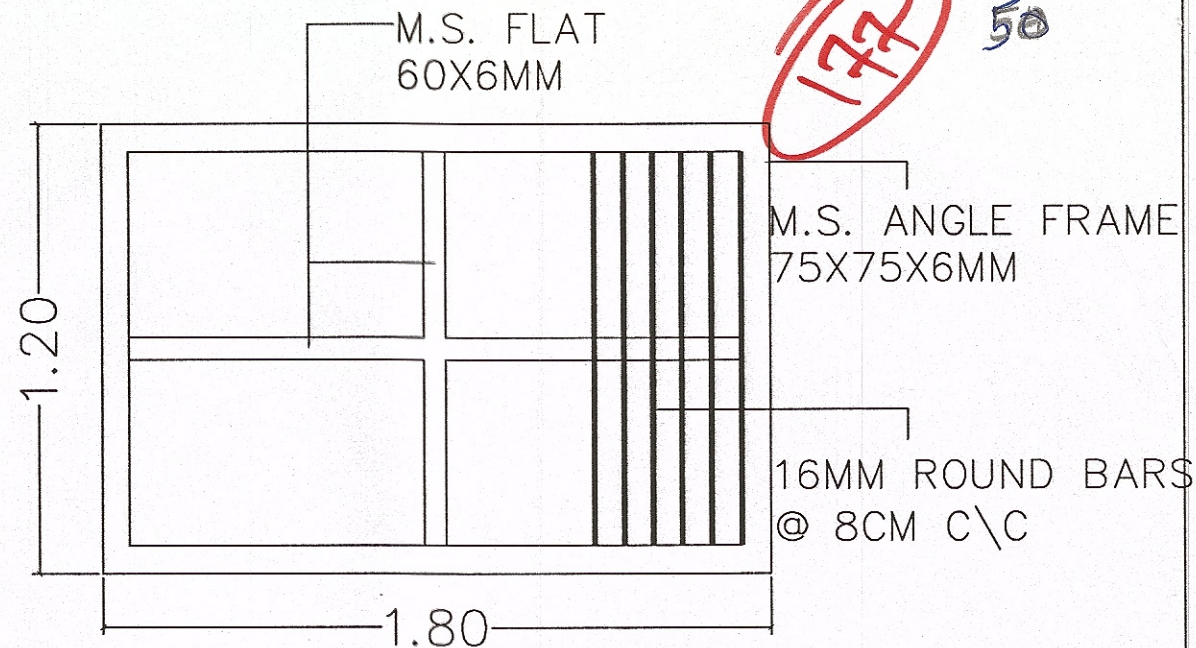
WHITE TIGER ENCLOSURE	DRG. NO.	DATE
-----------------------	----------	------

STR. ENG. TOWN PLANNER CONSULTANT
 TOWN PLANNING DEPARTMENT, KHANDERAU MARKET, VADODARA
 VADODARA MUNICIPAL CORPORATION



RAMP CROSS SECTION

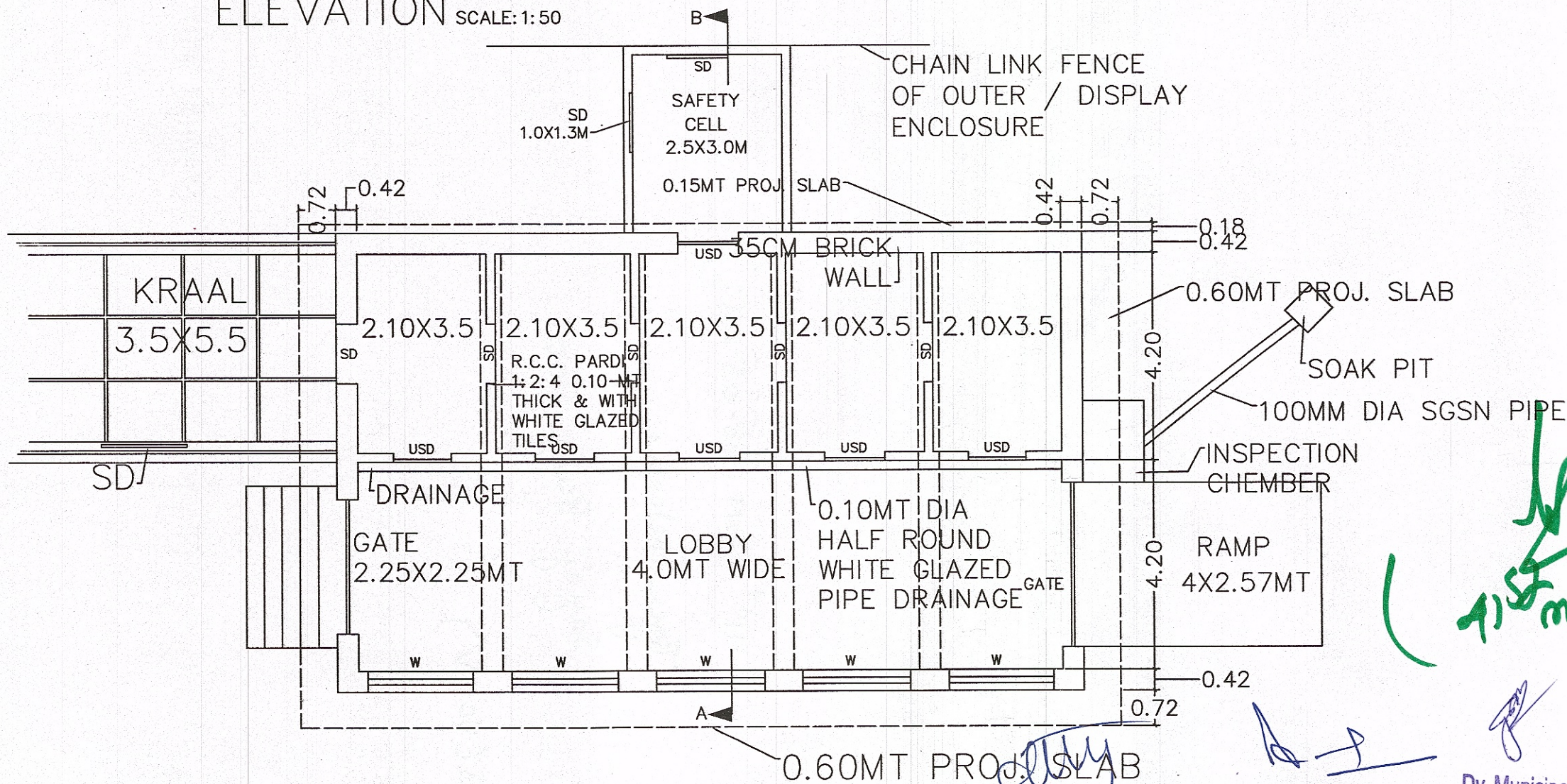
SCALE: 1:25



DETAIL OF WINDOW

SCALE: 1:25

ELEVATION SCALE: 1:50



PLAN SCALE: 1:50

(Handwritten green notes: 20/10/13, 1st meet of 4 Sept 13 in Z.D.)

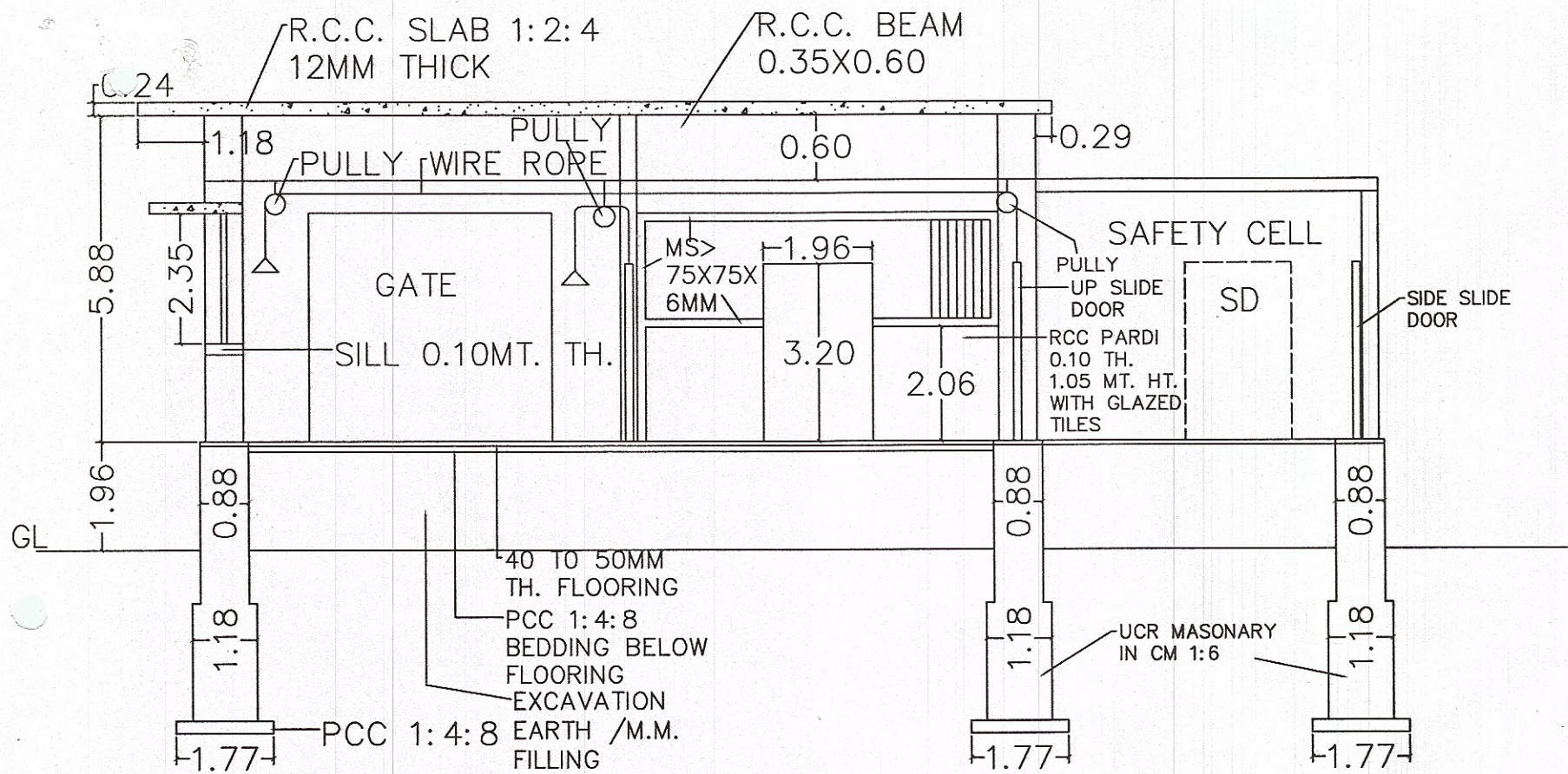
Zoo Curator
Shri Sayajibaug Zoo
Vadodara

Executive Engineer,
Ajwa Zoological Park,
VADODARA

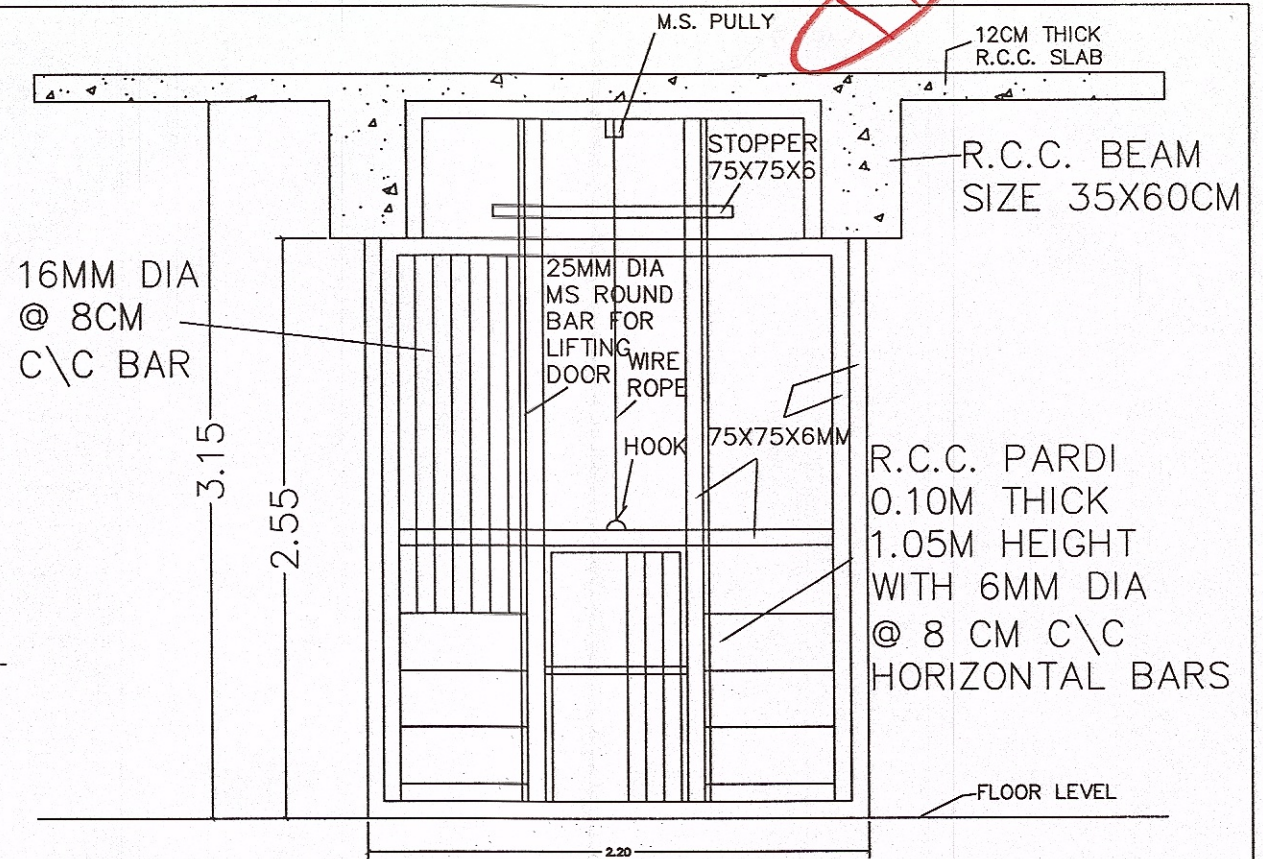
Dy. Municipal Commissioner
Municipal Corporation,
Vadodara.

ZOOLOGICAL PARK, AJWA

DETAIL OF WHITE TIGERS' CAGE	DRG. NO.	DATE
STR. ENG.	TOWN PLANNER	CONSULTANT
TOWN PLANNING DEPARTMENT, KHANDERAO MARKET, VADODARA VADODARA MUNICIPAL CORPORATION		

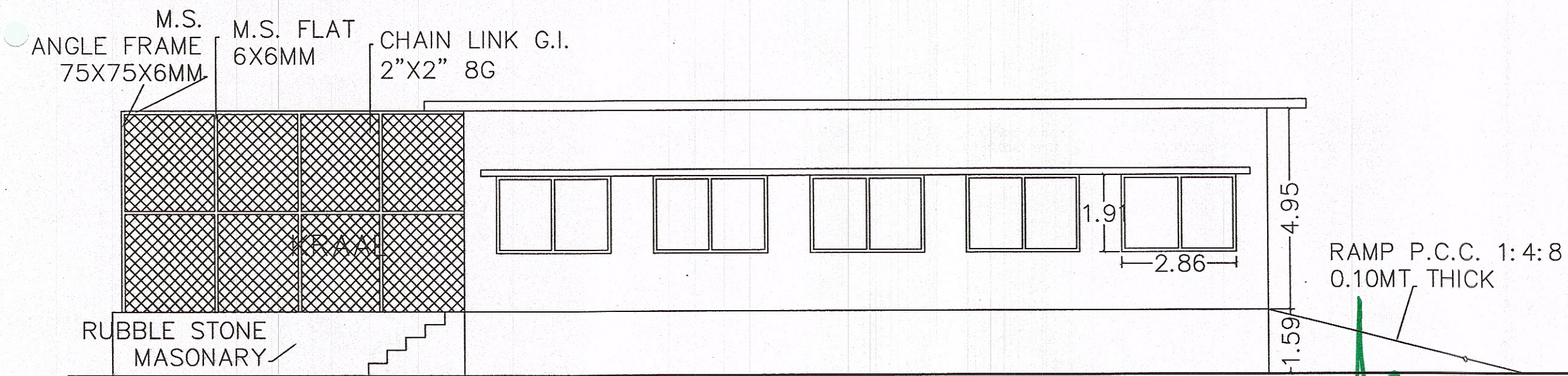


SECTION AB SCALE: 1:50



DETAILS OF FRONT AND BACK PARTITION UP SLIDE DOORS.

SCALE: 1:25



RAMP P.C.C. 1:4:8
0.10MT. THICK

ZOOLOGICAL PARK, AJWA

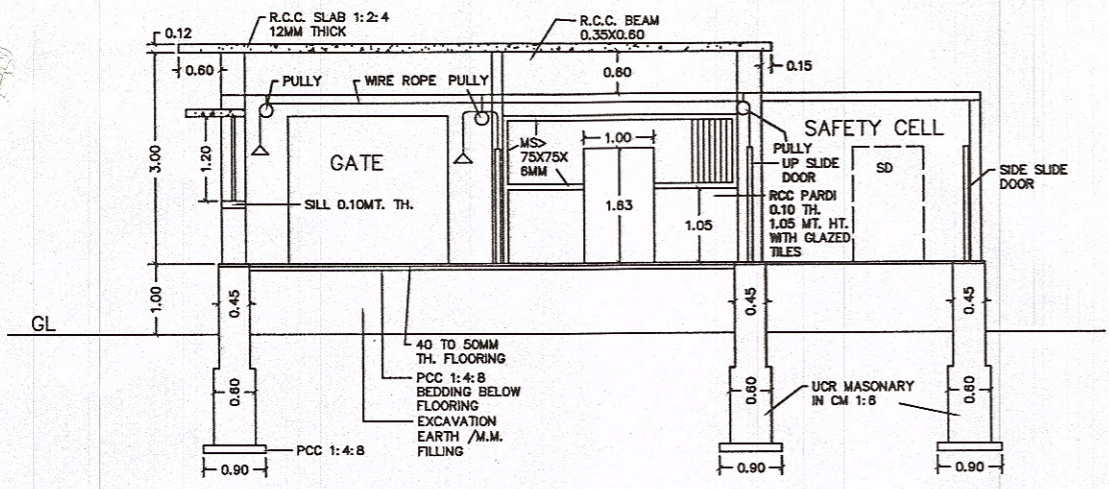
DETAIL OF WHITE TIGERS' CAGE DRG. NO. DATE

Handwritten notes in green ink:
11/12/2013
11/12/2013
11/12/2013

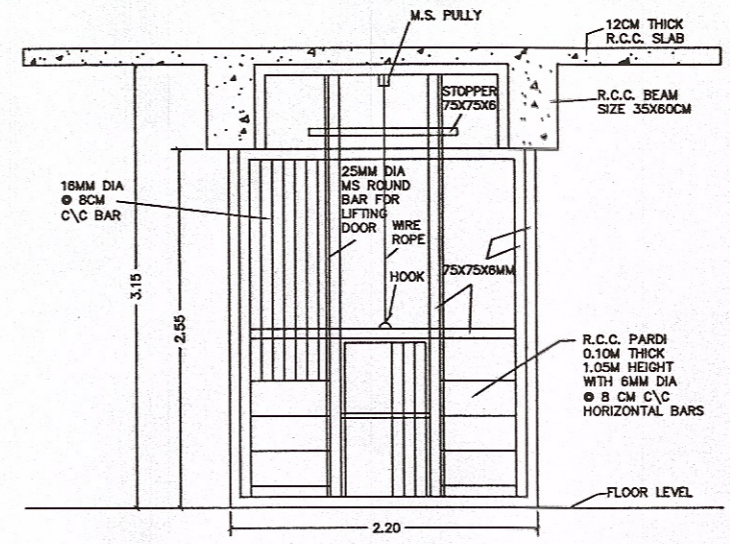
STR. ENG. TOWN PLANNER CONSULTANT
TOWN PLANNING DEPARTMENT, KHANDERAU MARKET, VADODARA
VADODARA MUNICIPAL CORPORATION

57 47

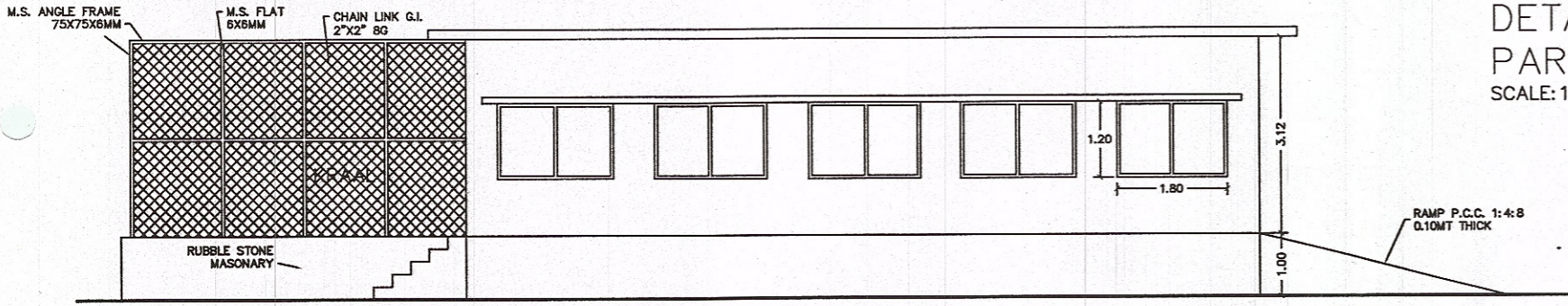
177



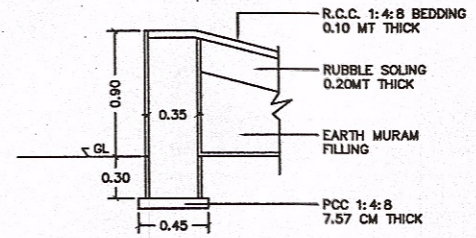
SECTION AB SCALE: 1:50



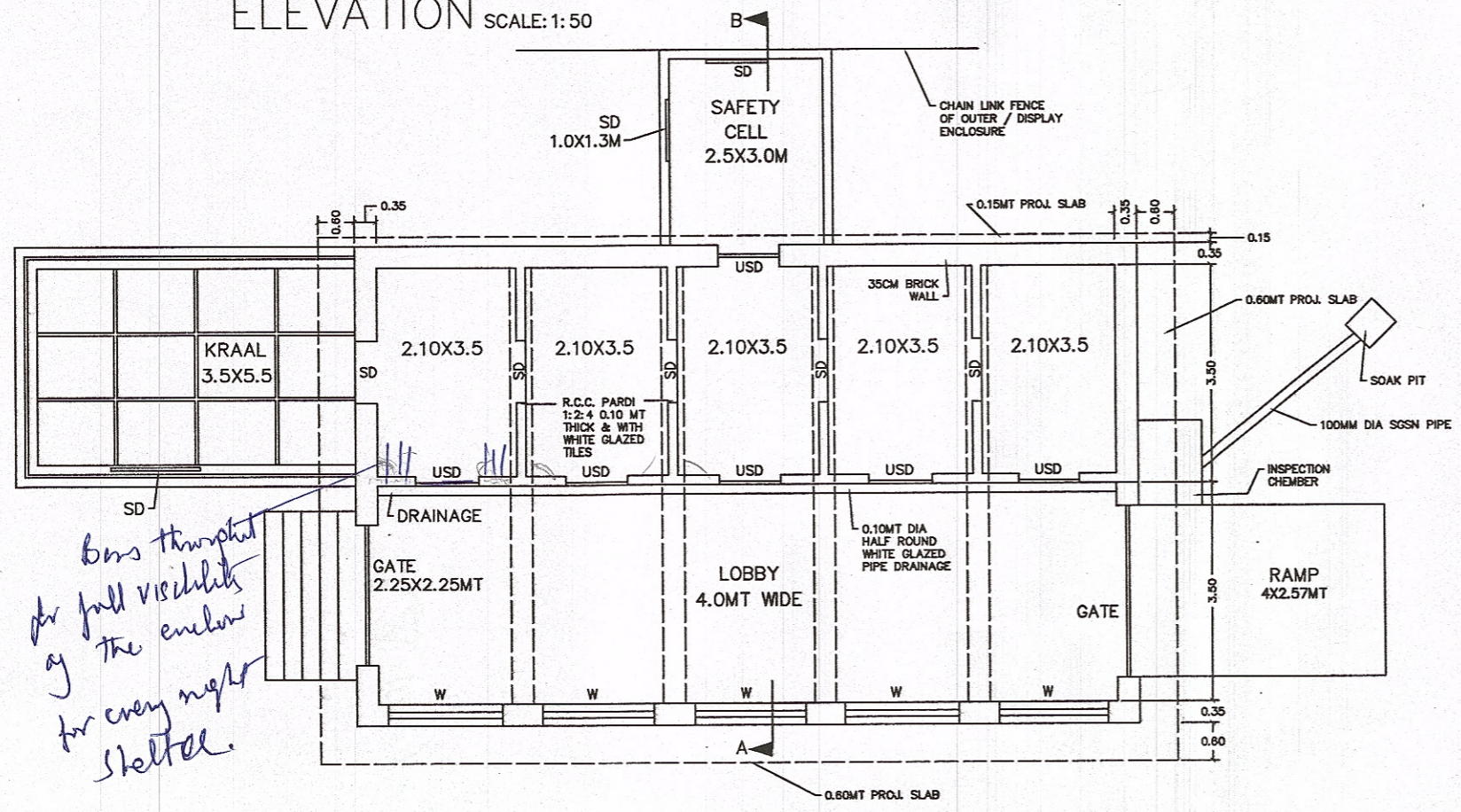
DETAILS OF FRONT AND BACK PARTITION UP SLIDE DOORS. SCALE: 1:25



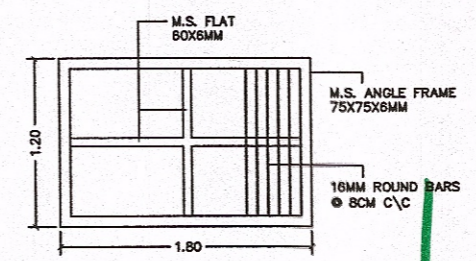
ELEVATION SCALE: 1:50



RAMP CROSS SECTION SCALE: 1:25



PLAN SCALE: 1:50



DETAIL OF WINDOW SCALE: 1:25

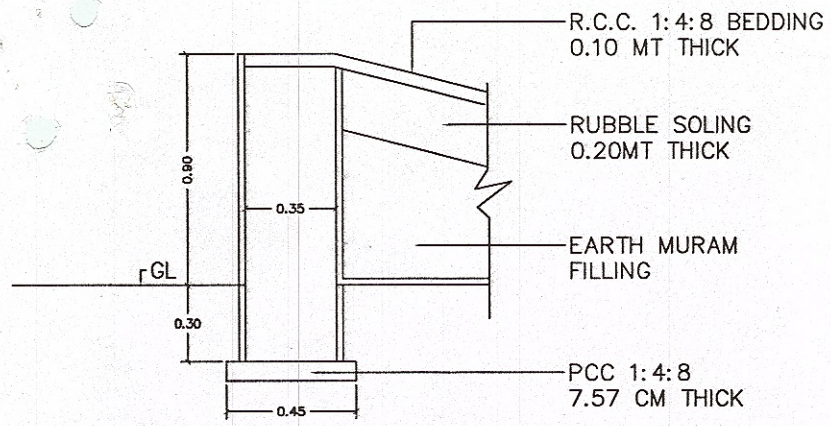
bars throughout for full visibility of the enclosure for every night skeletal.

ZOOLOGICAL PARK, AJWA

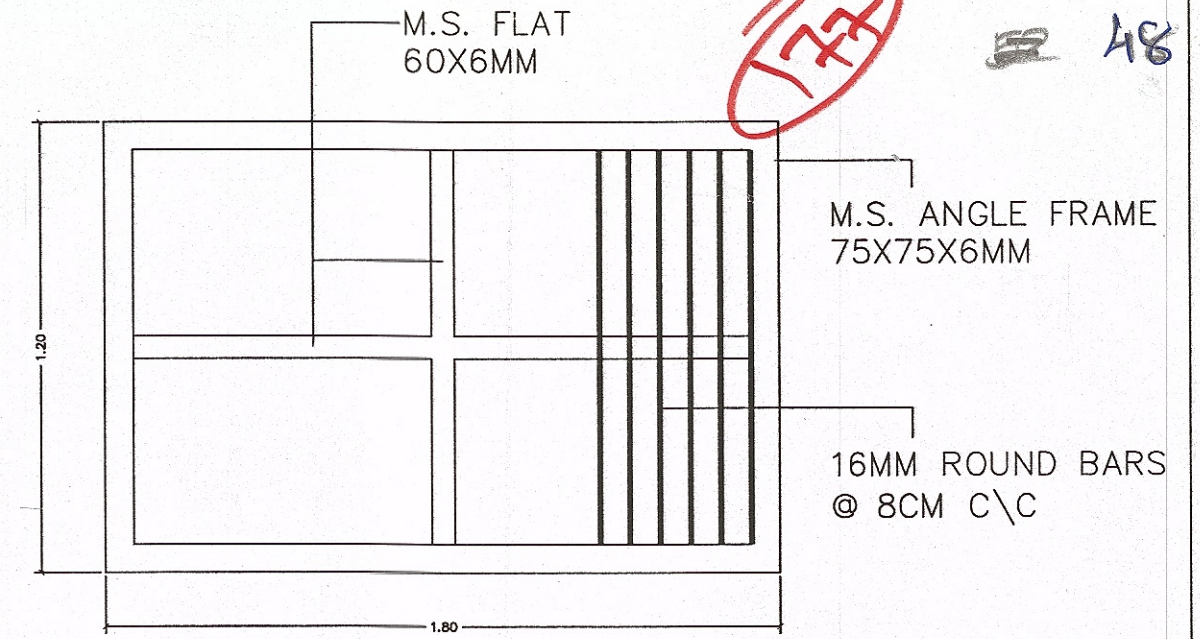
DETAIL OF WHITE TIGERS' CAGE DRG. NO. DATE

STR. ENG. TOWN PLANNER CONSULTANT
TOWN PLANNING DEPARTMENT, KHANDERAU MARKET, VADODARA
VADODARA MUNICIPAL CORPORATION

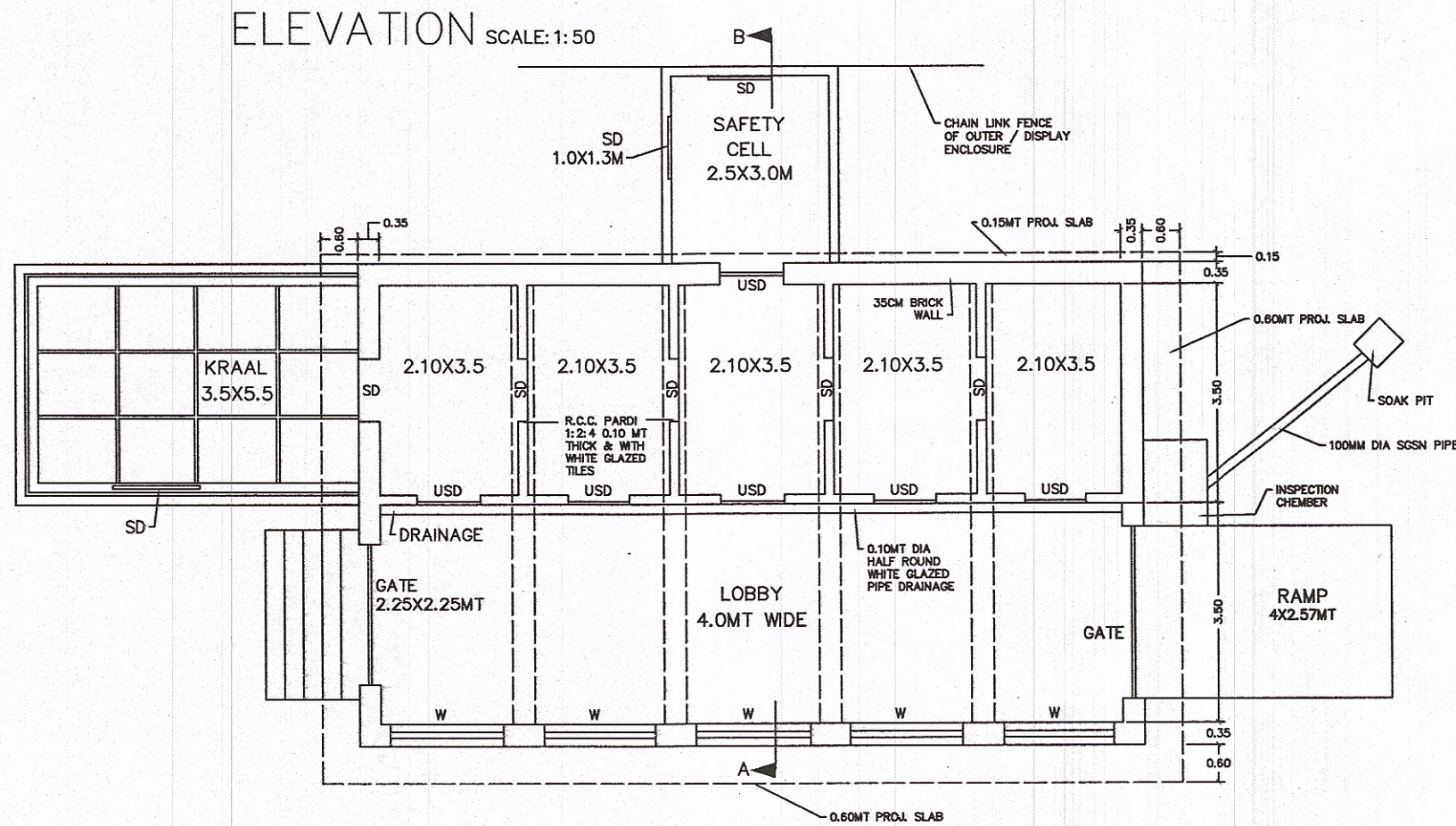
Handwritten signature and date: 21/11/2010



RAMP
CROSS SECTION
SCALE: 1: 25



DETAIL OF WINDOW
SCALE: 1: 25



ZOOLOGICAL PARK, AJWA		
DETAIL OF WHITE TIGERS' CAGE	DRG. NO.	DATE
STR. ENG.	TOWN PLANNER	CONSULTANT
TOWN PLANNING DEPARTMENT, KHANDERAO MARKET, VADODARA VADODARA MUNICIPAL CORPORATION		