



GOVERNMENT OF INDIA
MINISTRY OF ENVIRONMENT & FORESTS
Central Zoo Authority

107

371



F. No. 19-20/92-CZA(325)(Vol. VII)(M)/317

DATE: 22.02.2012

To

Sh. Alankar Jha
Director
Padmaja Naidu Himalayan Zoological Park,
Darjeeling – 734 01 (West Bengal).

BY FAX
22/2/12

Sub:- Power point presentation on the proposed works to be taken at Dowhill, Topkedara, Gairibas and Darjeeling.

Ref:- This office letter No. 7-19/2011-CZA(M) dated 07.02.2012.

Sir,

This has a reference to the presentation delivered by you on the proposed works to be taken up at Dowhill, Topkedara, Gairibas and Darjeeling itself as a part of long-term development of the Padmaja Naidu Himalayan Zoological Park, Darjeeling and explained the quarries made by the Central Zoo Authority on the Master (layout) Plan of the Zoo before the members of the Expert Group on Zoo Designing of the Central Zoo Authority in its meeting held on 16th February, 2012 and the following observations were made and apprised to him by members:-

- Dow hill should be called as off-exhibit conservation breeding centre rather naming it as a satellite zoo.
- The Padmaja Naidu Zoological Park should introduce new blood in the population of Snow leopard, Red panda, Blue sheep and Himalayan tahr to avoid in breeding effects and the same should be part of the Master Plan.
- The proposed animal collection plan should have a provision to make genetic viable social groups for each species.
- The members recommended approval of the Master (layout) Plan.
- The zoo should make effort that The species which are involved as a part of conservation breeding programme, each animal should be represented in each generation equally.
- The conservation breeding project for each species identified under conservation breeding programme should have a detailed management plan for with in-situ linkages as one of the component.

...2/-

107

372

- 2 -

- (i) Herbivore enclosures at Satellite Zoo, Dow hill under PNHZPark, - design and plan.

The proposed design was discussed and approved in principle subject to the following modification & re-submission:-

- (a) The feeding cells should be located outside the arena.
- (b) The height of the chain-link fence should be 2.5 meter with a provision of large covered feeding kraals with 8 night shelters, so the animals will be broad back to the individual feeding cells during the night hours.
- (c) There is no need to provide overhang ever the chain-link fence.
- (d) The paddock area should have four divisions for housing animals in a pair for breeding purposes.
- (e) The animal enclosure should have a facility for easy capturing of animals.

- (ii) Medical care room at Conservation Breeding Centre, Dowhill, under PNHZPark, Darjeeling - design and plan.

The design was scrutinized and approved.

- (iii) Construction of off display breeding center for Red panda and Tokedara, Darjeeling under PNHZPark - design and plan with explanatory notes.

The proposed design was discussed and not approved. However, following suggestions were made:-

- (a) Looking at the topography, ground situation the enclosure should be irregular in shape, without any sharp corners.
- (b) The feeding and retiring cells should be inter-connected.
- (c) The chain-link fence around the feeding cells is not required.
- (d) The paddock area may be partitioned into three areas each with four feeding cells.

- (iv) Construction of off display breeding center for Snow leopards at Topkedara, Darjeeling under PNHZPark - design and plan with explanatory notes.

The design was scrutinized and approved.

...3/-

107

373

- 3 -

- (v) Construction of boundary wall around off display breeding center for Snow leopards and Red panda at Topkedara, Darjeeling under PNHZPark - design and plan.

The design was scrutinized and it was suggested that instead of boundary wall, chain-link fence of 10cm x 10cm may be used with 2.5 meter high and with concertive wire at the top.

- (vi) Upgradation and enrichment of soft release facility of Red panda at Gairibas under PNHZPark.

The design was scrutinized and approved.

You are therefore, requested to do needful accordingly.

Yours faithfully,



(B. S. Bonal)
Member Secretary

Copy for favour of information & necessary action to:-

1. The Chief Wildlife Warden, Government of West Bengal, Kolkata.
2. Shri R.S. Bhadauria, Coordinator (Sub-group C) of Expert Group on Zoo Designing of Central Zoo Authority for favour of information.



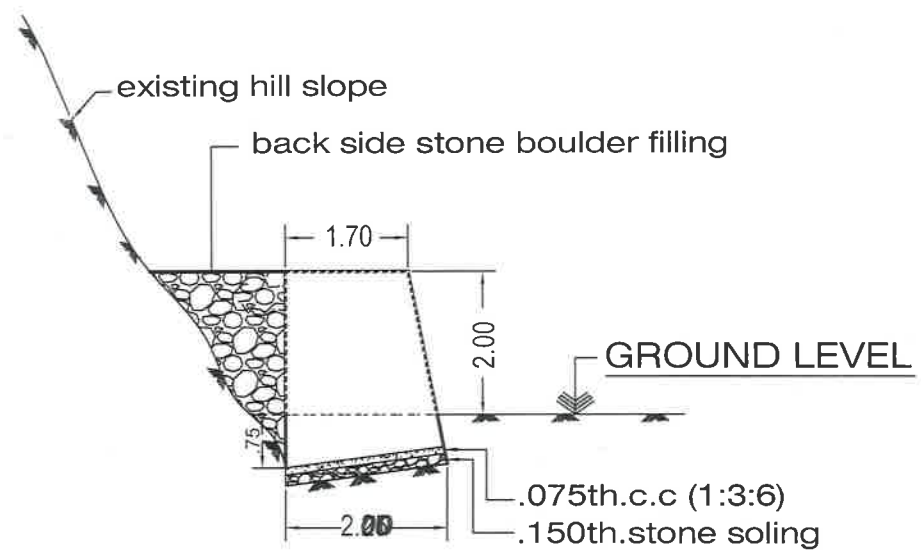
(B. S. Bonal)
Member Secretary

CROSS SECTION SHOWING THE RETAINING WALL OF UPGRADATION & ENRICHMENT OF SOFT REALEASE FACILITY OF RED PANDAS AT GAIRIBAS, SINGHILALA NATIONAL PARK UNDER PNHZ PARK, DARJEELING

6

107

SCALE : 1 : 100



CROSS SECTION

LENGTH OF THE WALL = 65.00mtrs.
WITH SLIP JOINTS

PREPARED BY :-

CHECKED BY :-

APPROVED BY :-

ESTATE OFFICER
PNHZ PARK, DARJEELING

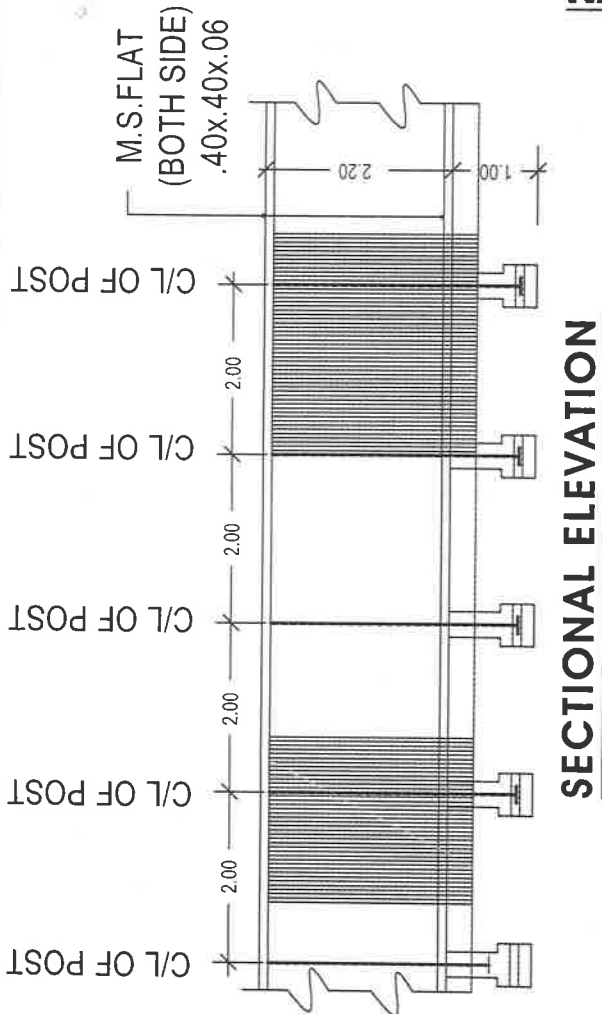
DY.DIRECTOR
PNHZ PARK, DARJEELING

DIRECTOR
PNHZ PARK, DARJEELING

UPGRADATION & ENRICHMENT OF SOFT RELEASE FACILITY FOR RED PANDA AT GAIRIBAS SINGHALILA NATIONAL PARK UNDER PNHZ PARK, DARJEELING.

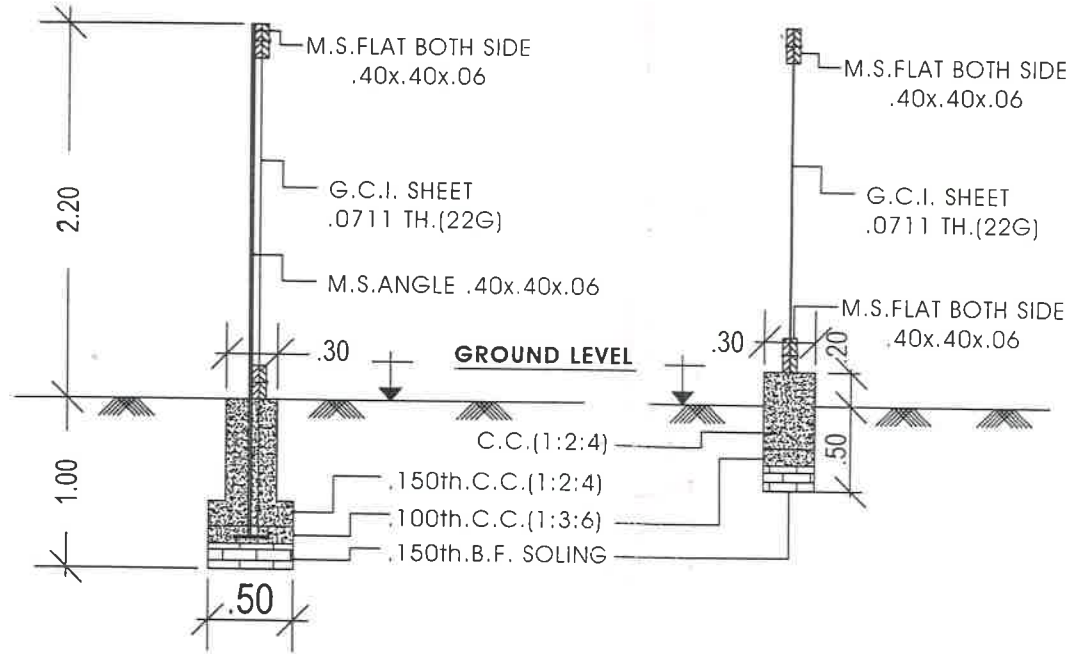
107

SCALES - 1:50 AND 1:25



SECTIONAL ELEVATION

NOTE :-
 LENGTH=150 MTRS.
 2.00
 POST=75 NOS.



SECTION OF M.S. ANGLE WITH CEMENT CONCRETE(1:2:4)

SECTION OF G.C.I. SHEET WITH CEMENT CONCRETE(1:2:4)

PREPARED BY :-

[Signature]
 ESTATE OFFICER
 PNHZ PARK, DARJEELING

CHECKED BY

[Signature]
 DY DIRECTOR
 PNHZ PARK, DJ

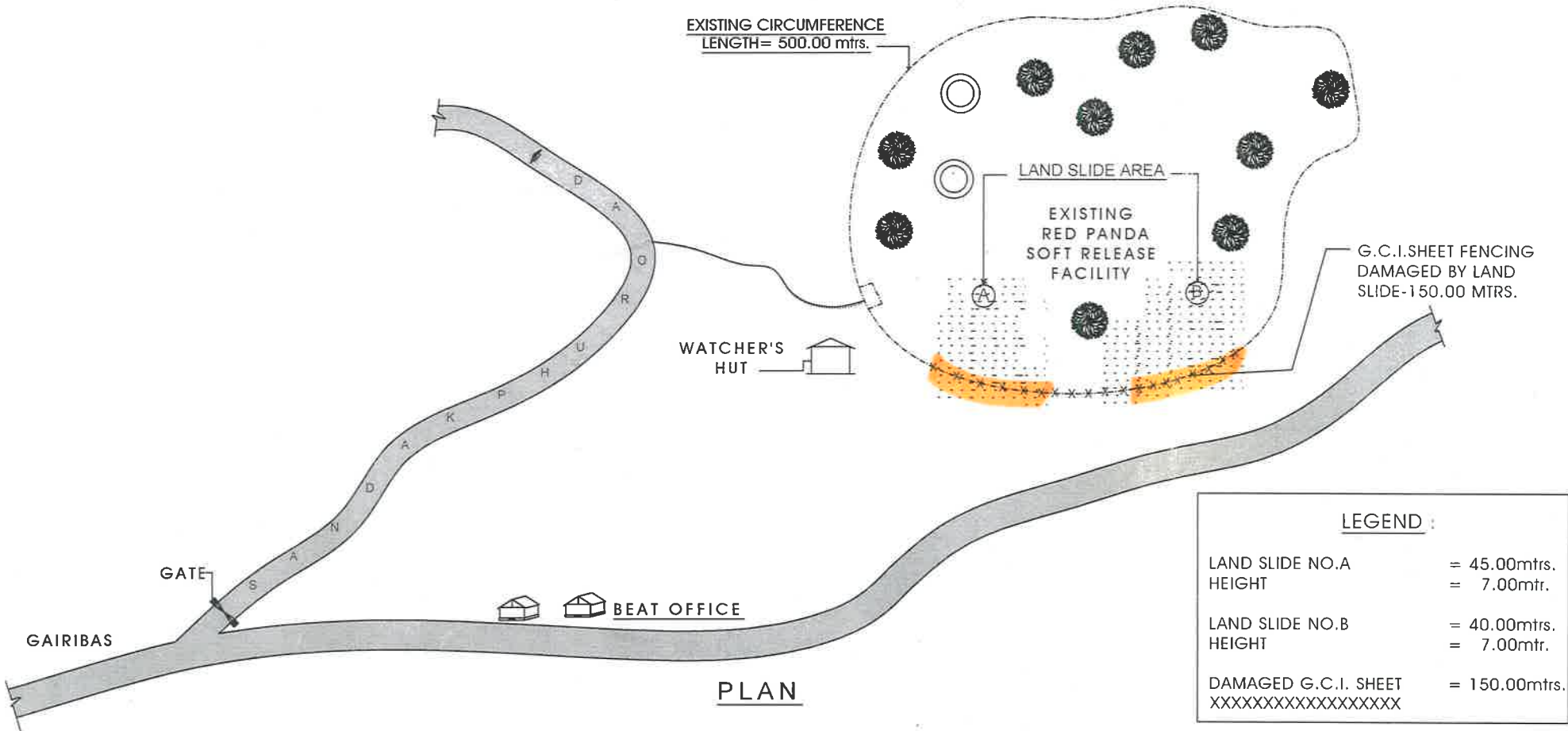
APPROVED

[Signature]
 DIRECTOR
 PNHZ PARK, DARJEELING

**PLAN SHOWING THE UPGRADATION & ENRICHMENT OF
SOFT RELEASE FACILITY FOR
RED PANDA AT GAIRIBAS, SINGHILALA NATIONAL PARK UNDER
PNHZ PARK, DARJEELING**

107

NOT TO SCALE



LEGEND :	
LAND SLIDE NO.A	= 45.00mtrs.
HEIGHT	= 7.00mtr.
LAND SLIDE NO.B	= 40.00mtrs.
HEIGHT	= 7.00mtr.
DAMAGED G.C.I. SHEET XXXXXXXXXXXXXXXXXXXX	= 150.00mtrs.

PREPARED BY :-

[Signature]
ESTATE OFFICER
PNHZ PARK, DARJEELING

CHECKED BY :-

[Signature]
DY. DIRECTOR
PNHZ PARK, DARJEELING

APPROVED BY :-

[Signature]
DIRECTOR
PNHZ PARK, DARJEELING