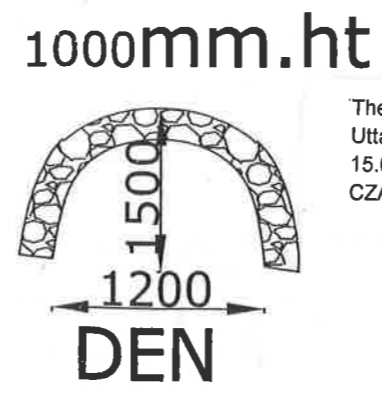
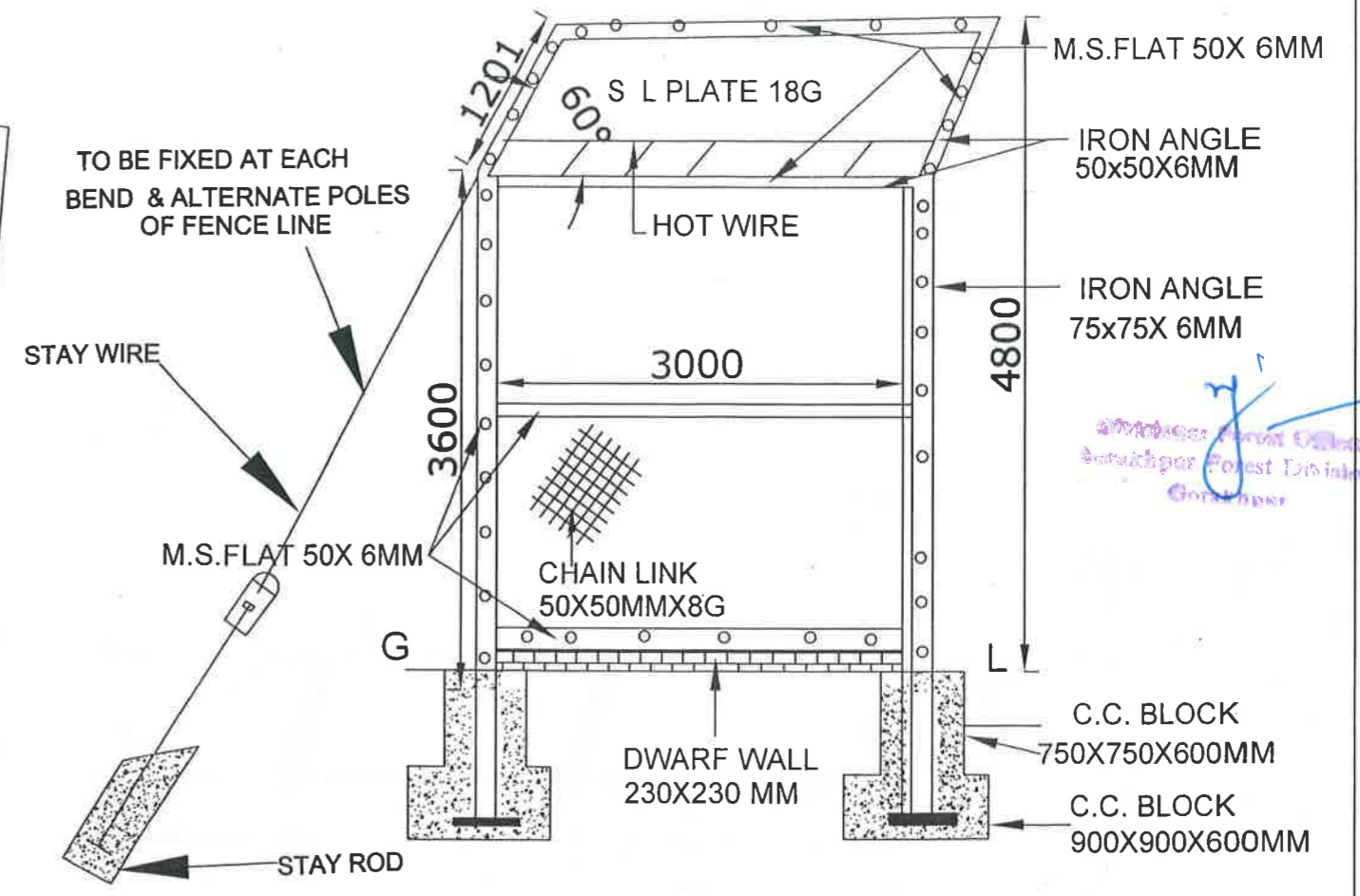
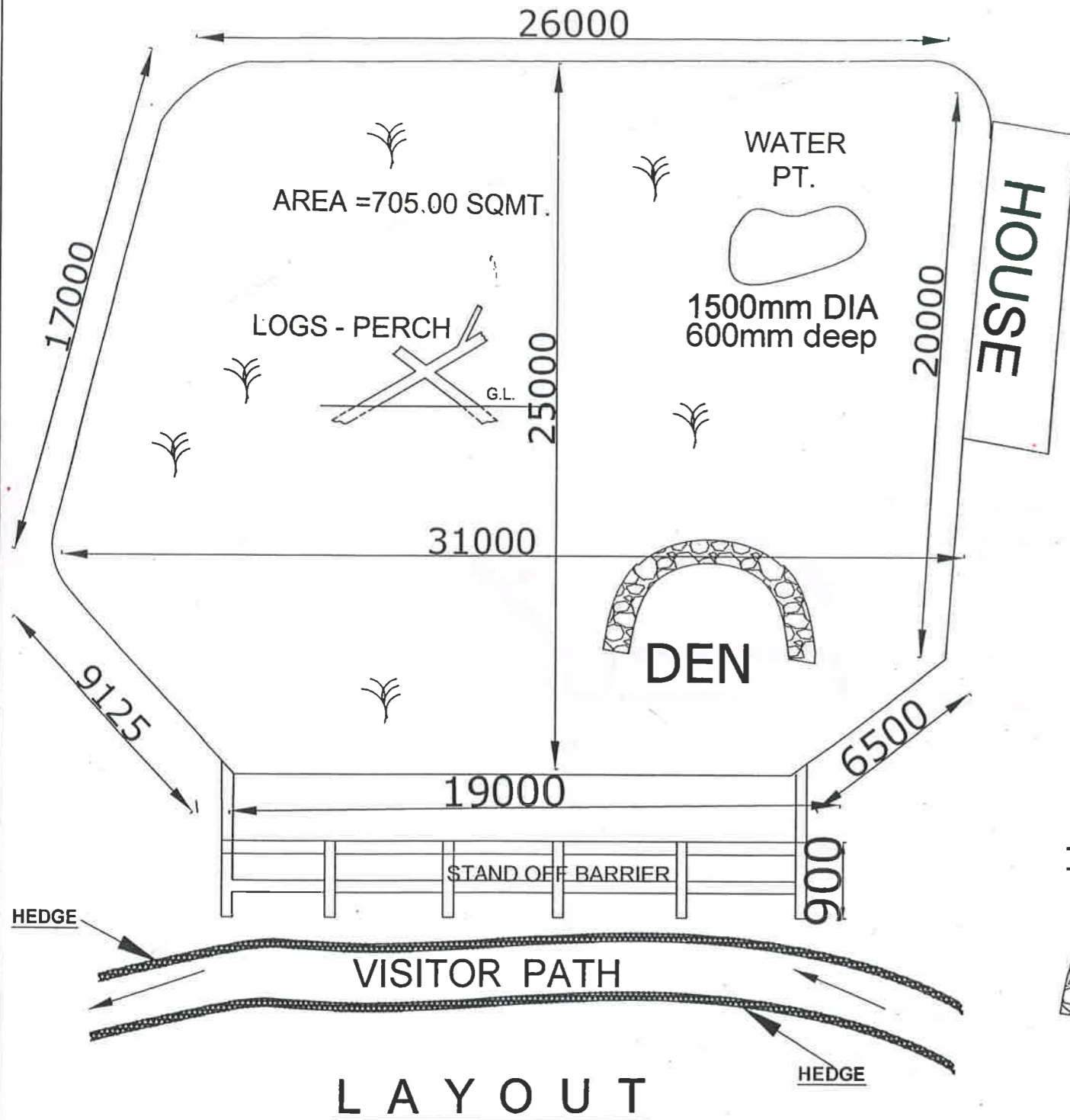


# LEOPARD ENCLOSURE



The drawing of the Leopard enclosure to be constructed at the Shaheed Ashfaq Ullah Khan Zoological Park, Gorakhpur, Uttar Pradesh was approved by the Expert Group on Zoo Designing of the Central Zoo Authority in its 76<sup>th</sup> Meeting held on 15.02.2018 vide Agenda Item No. 1[1(c)] subject to conditions laid by the Central Zoo Authority vide letter F. No. 20-4/2008 CZA(Vol. II)(PKR)/2549 dated 08.03.2018.

Dr. D. N. SINGH, IFS  
 Member Secretary  
 Central Zoo Authority  
 Ministry of Environment, Forest & Climate Change  
 Govt. of India, New Delhi-110003



SHAHEED ASHFAQE ULLAH KHAN  
 ZOOLOGICAL PARK GORAKHPUR



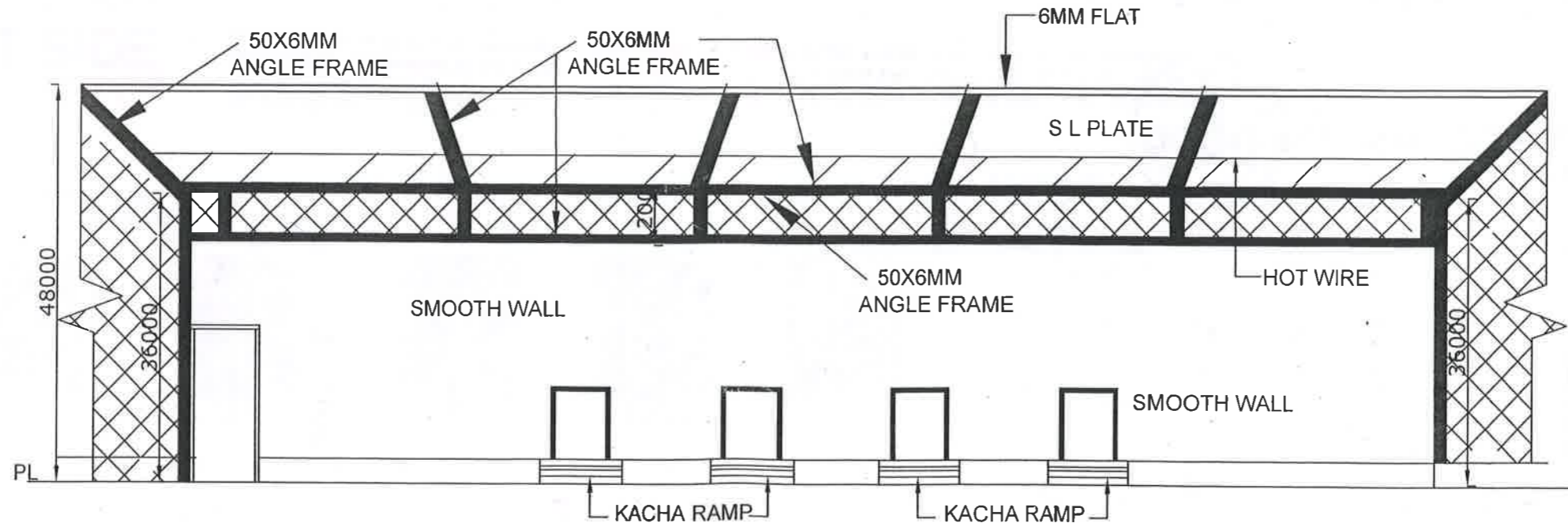
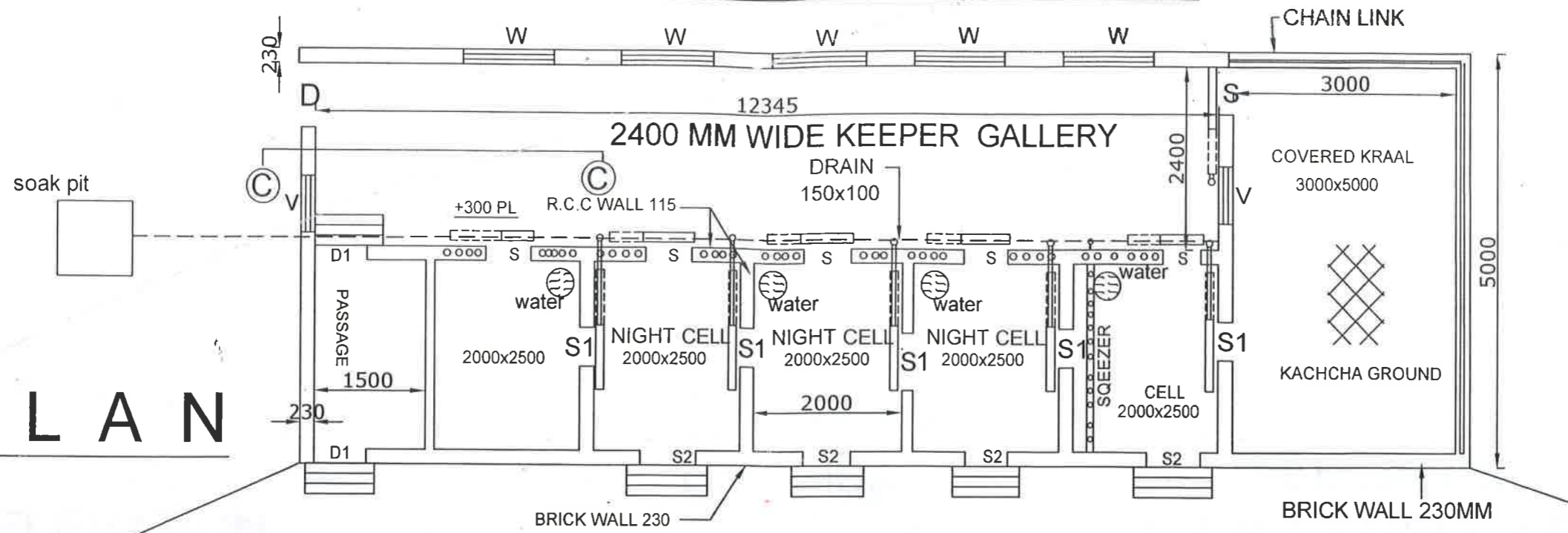
Drg title :  
 Scale : 1: 270  
 Drawn by:- AWADHESH SHARMA  
 DRAUGHT'S MAN ( CIVIL )  
 A- 1095/4 INDIRA NAGAR LUCKNOW

CONCEPT DESIGN BY  
  
 R.S. BHADURIA , I.F.S. [ Retd. ]  
 LUCKNOW

S.K. UPADHYAY I.F.S.  
 CHIEF WILD LIFE WARDEN U.P.

# LEOPARD ENCLOSURE

PLAN



+600 ( RAISED GROUND UP TO PL )  
**FRONT ELEVATION OF HOUSE**

The drawing of the Leopard enclosure to be constructed at the Shaheed Ashfaq Ullah Khan Zoological Park, Gorakhpur, Uttar Pradesh was approved by the Expert Group on Zoo Designing of the Central Zoo Authority in its 76<sup>th</sup> Meeting held on 15.02.2018 vide Agenda Item No. 11(c) subject to conditions laid by the Central Zoo Authority vide letter F. No. 20-4/2008-CZA(Vol. II)(PKR)/2549 dated 08.03.2018.



Dr. D. N. SINGH, IFS  
 Member Secretary  
 Central Zoo Authority  
 Ministry of Environment, Forest & Climate Change  
 Govt. of India, New Delhi-110003

Divisional Forest Officer  
 Gorakhpur Forest Division  
 Gorakhpur

**SHAHEED ASHFAQ ULLAH KHAN  
 ZOOLOGICAL PARK GORAKHPUR**



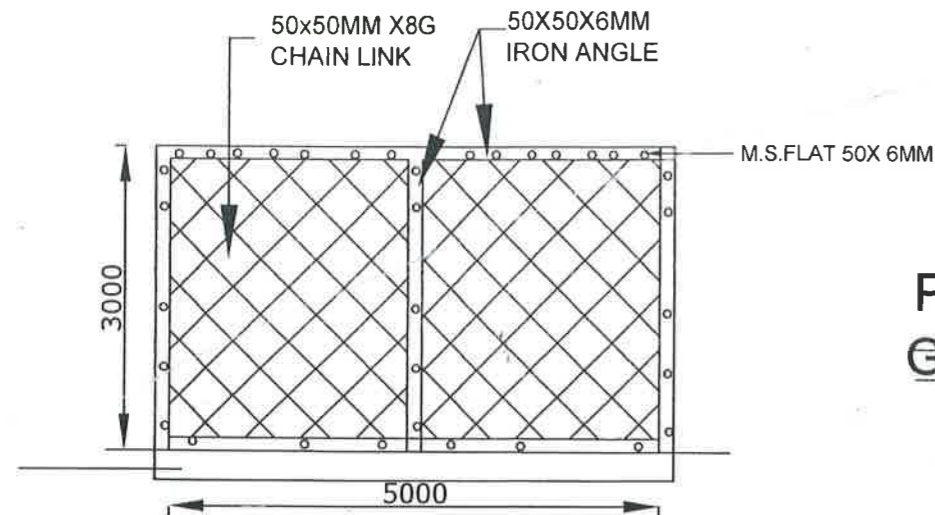
Drg title :  
 Scale : 1:100  
 Drawn by:-  
 AWADHESH SHARMA  
 DRAUGHT'S MAN ( CIVIL )  
 A- 1095/4 INDIRA NAGAR LUCKNOW

CONCEPT DESIGN BY  
  
 R.S. BHADURIA, I.F.S. [ Retd. ]  
 LUCKNOW

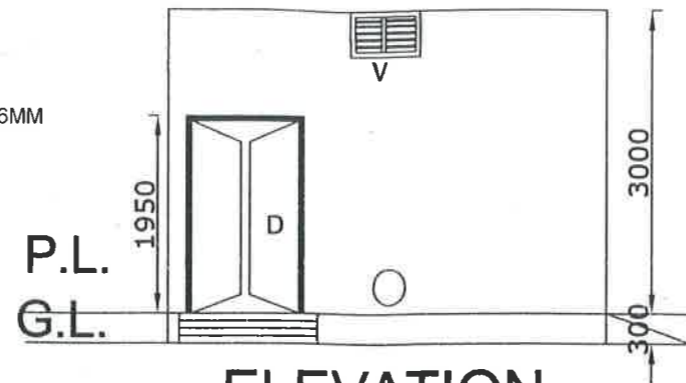
S.K. UPADHYAY I.F.S.  
 CHIEF WILD LIFE WARDEN U.P.



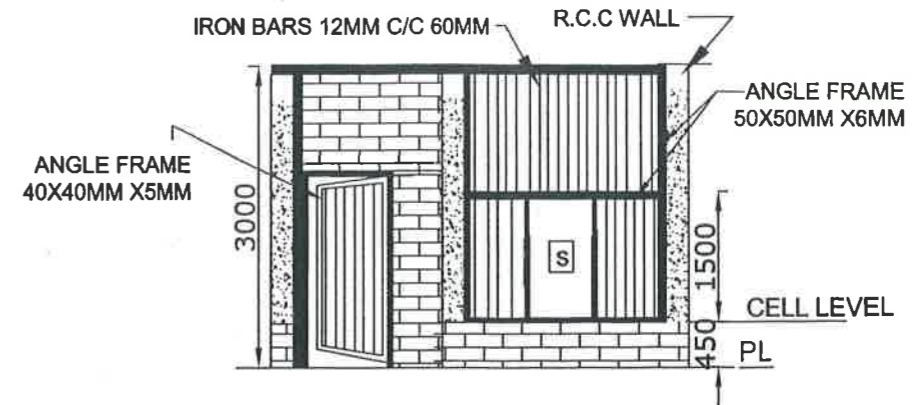
# LEOPARD ENCLOSURE



**ELEVATION  
RIGHT SIDE**



**ELEVATION  
LEFT SIDE**



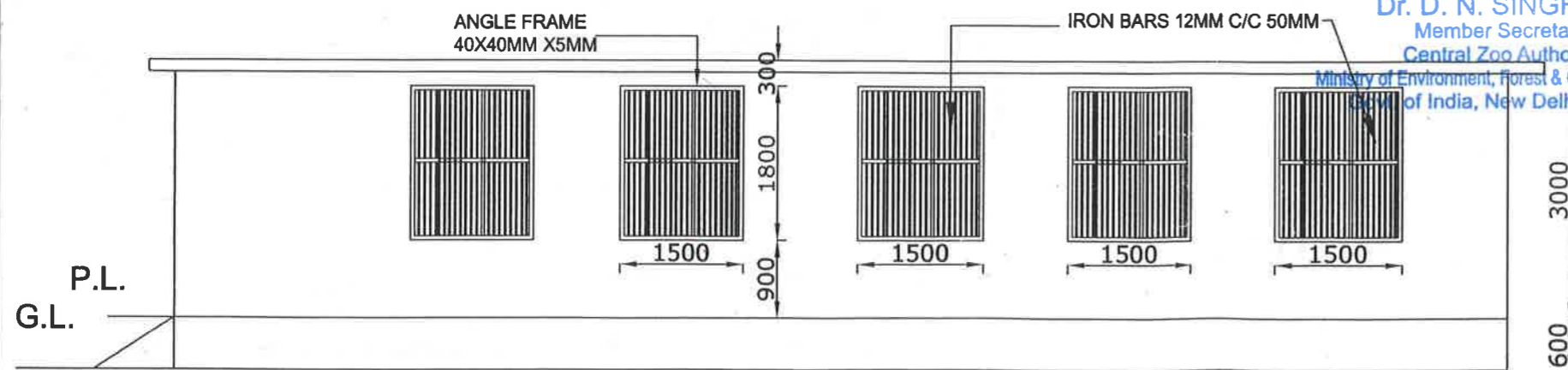
**ELEVATION  
OF NIGHT CELL AT C-C**

The drawing of the Leopard enclosure to be constructed at the Shaheed Ashfaq Ullah Khan Zoological Park, Gorakhpur, Uttar Pradesh was approved by the Expert Group on Zoo Designing of the Central Zoo Authority in its 76<sup>th</sup> Meeting held on 15.02.2018 vide Agenda Item No. 1[1(c)] subject to conditions laid by the Central Zoo Authority vide letter F. No. 20-4/2008-CZA(Vol. II)(PKR)/2549 dated 08.03.2018.



**DOOR WINDOW SCHEDULE**

Dr. D. N. SINGH, IFS  
Member Secretary  
Central Zoo Authority  
Ministry of Environment, Forest & Climate Change  
Government of India, New Delhi-110003



**BACK WALL ELEVATION**

NO	NAME	SIZE (MM)	TYPE
1	D	1200X1950	MS DOUBLEHINGE DOOR
2	D1	900 X1950	GRILL DOOR
3	S	750 X1200	GRILL DOOR SLIDING
4	S1	750 X900	SL SHEET SLIDING DOOR
5	S2	750 X1200	SL SHEET DRAW UP SLIDING DOOR
6	W	1500 X1800	GRILL
7	V	750 X450	GRILL

**SHAHEED ASHFAQ ULLAH KHAN  
ZOOLOGICAL PARK GORAKHPUR**

**NORTH**



Drg title :

Scale :

1:100

Drawn by:-

AWADHESH SHARMA  
DRAUGHT'S MAN ( CIVIL )

A- 1095/4 INDIRA NAGAR LUCKNOW

CONCEPT DESIGN BY

*R. S. Bhaduria*  
R.S. BHADURIA , I.F.S. [ Retd. ]  
LUCKNOW

*S. K. Upadhyay*  
S.K. UPADHYAY I.F.S.  
CHIEF WILD LIFE WARDEN U.P.