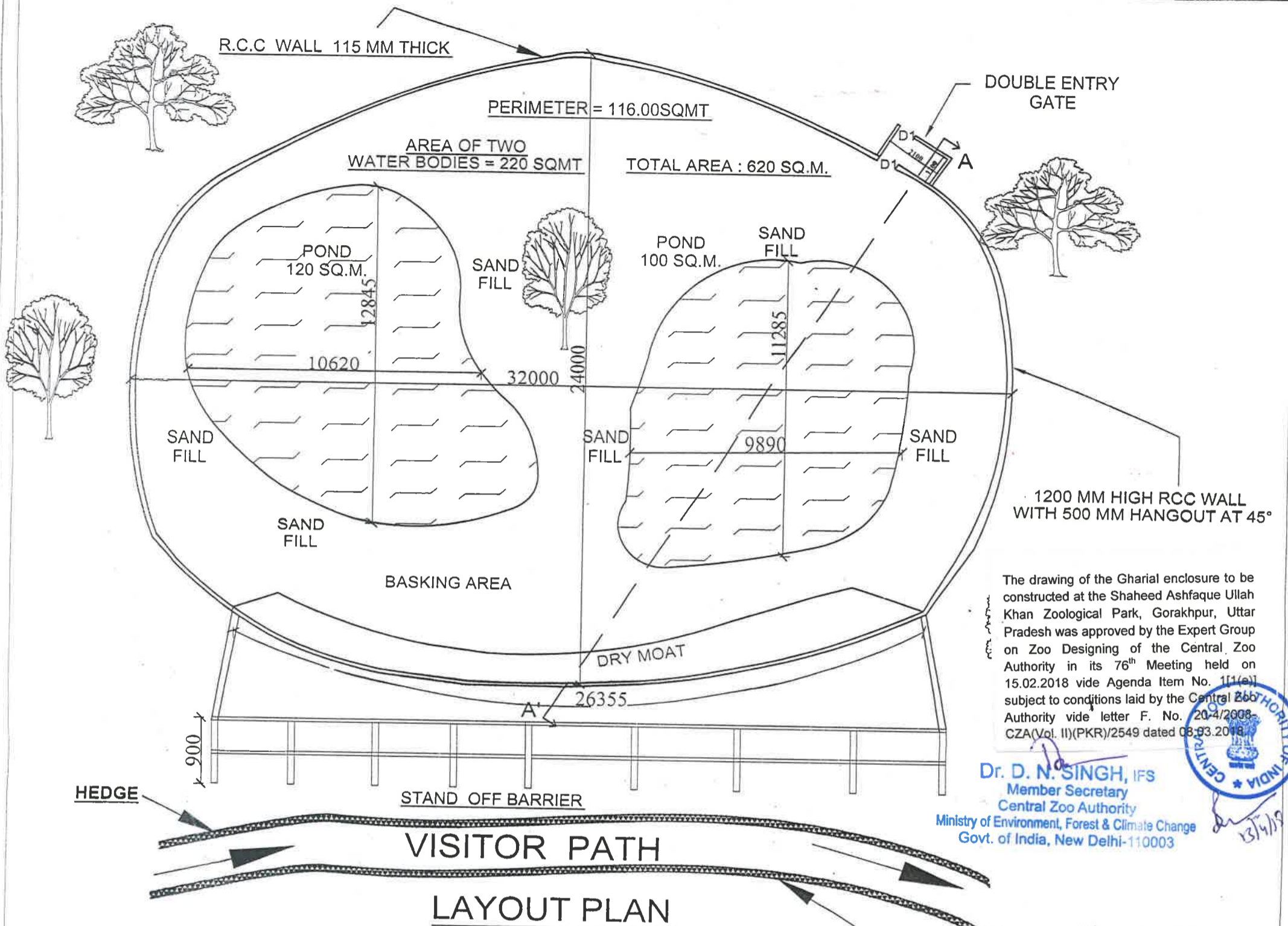


# GHARIAL ENCLOSURE

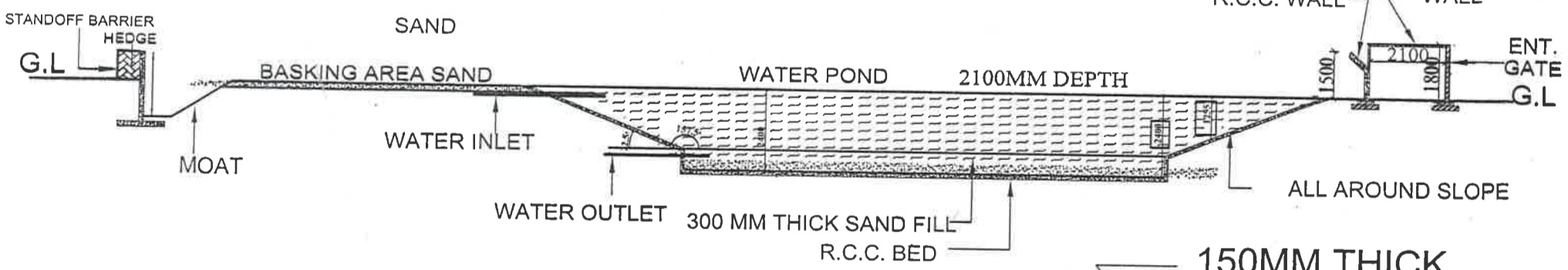
## DOOR WINDOW SCHEDULE

NO.	NAME	SIZE (MM)	TYPE
1	D1	900X1500	HINGE DOOR (MS DOOR)



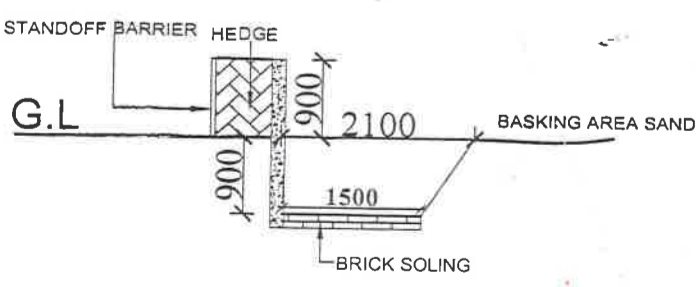
The drawing of the Gharial enclosure to be constructed at the Shaheed Ashfaq Ullah Khan Zoological Park, Gorakhpur, Uttar Pradesh was approved by the Expert Group on Zoo Designing of the Central Zoo Authority in its 76<sup>th</sup> Meeting held on 15.02.2018 vide Agenda Item No. 111(a) subject to conditions laid by the Central Zoo Authority vide letter F. No. 20-4/2008-CZA (Vol. II) (PKR)/2549 dated 08.03.2018.

Dr. D. N. SINGH, IFS  
Member Secretary  
Central Zoo Authority  
Ministry of Environment, Forest & Climate Change  
Govt. of India, New Delhi-110003



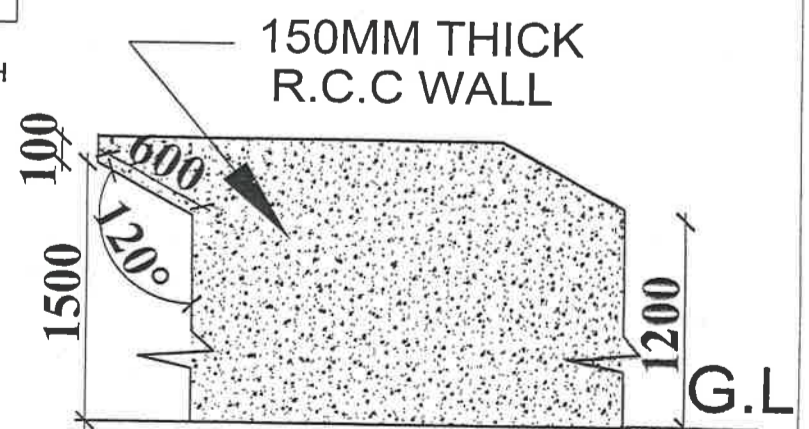
NOTE - TWO THIRD LENGTH & BREADTH OF EACH POND SHOULD HAVE 2100MM DEPTH

## SECTION A-A' OF POND



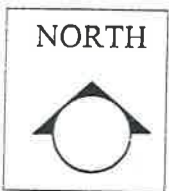
## SECTION OF MOAT

scale 1:2



## ELEVATION OF SECTION OF WALL

SHAHEED ASHFAQ ULLAH KHAN  
ZOOLOGICAL PARK GORAKHPUR



Drg title :  
Scale : 1:130  
Drawn by:- AWADHESHI SHARMA  
DRAUGHTSMAN (CIVIL)  
A- 1095/4 INDIRA NAGAR LUCKNOW

COMCEPT DESIGN BY  
*[Signature]*  
R.S. BHADAURIA, I.F.S. [Retd.]

S.K. UPADHYAY I.F.S.  
CHIEF WILD LIFE WARDEN U.P.