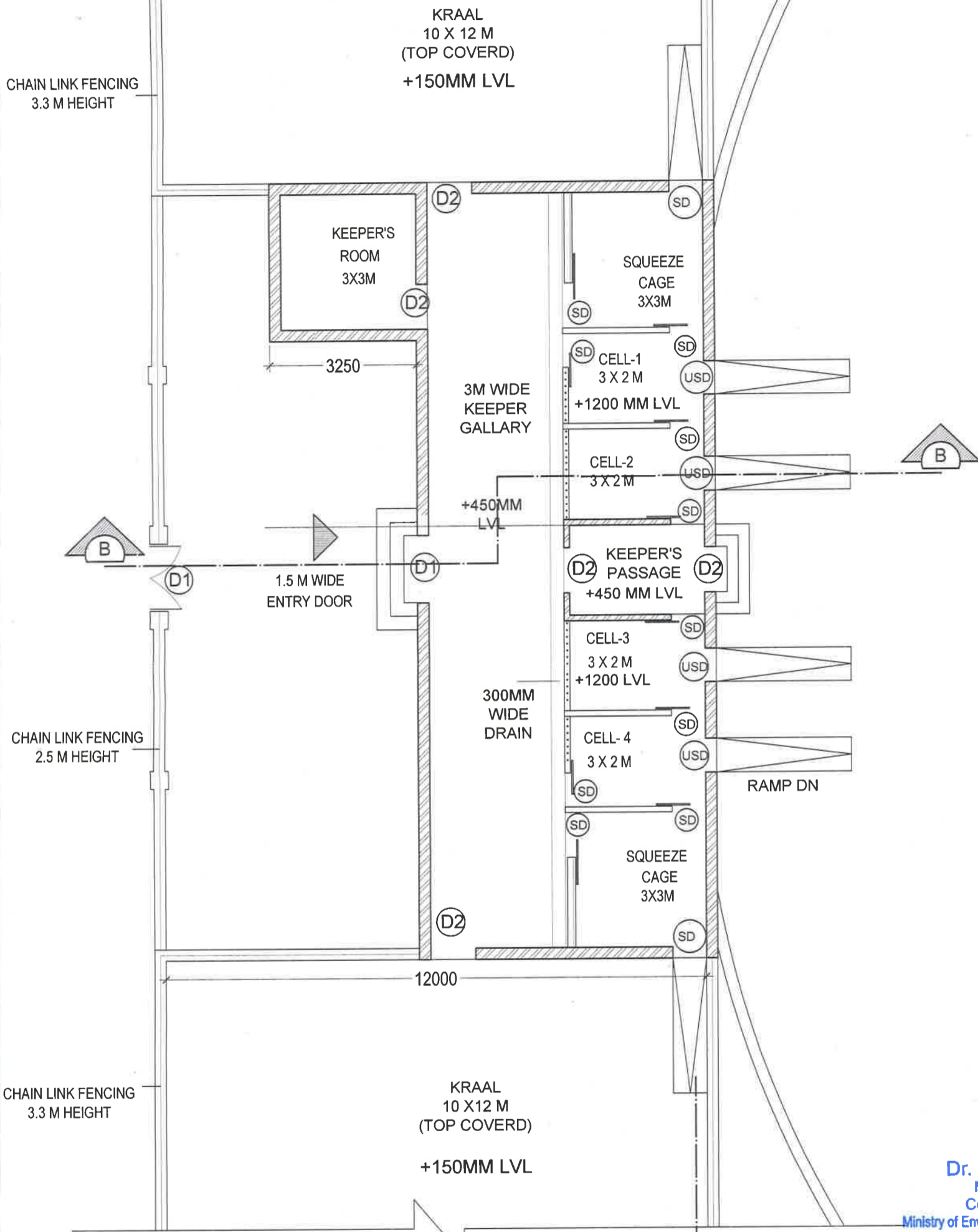


DOOR & WINDOW SCHEDULE			
DOOR MARKS	WIDTH	HEIGHT	TYPE
D1	1500	2000	PANELLED DOOR
D2	1000	2000	PANELLED DOOR
USD/SD	750	900	UP SLIDING/ SLIDING DOOR



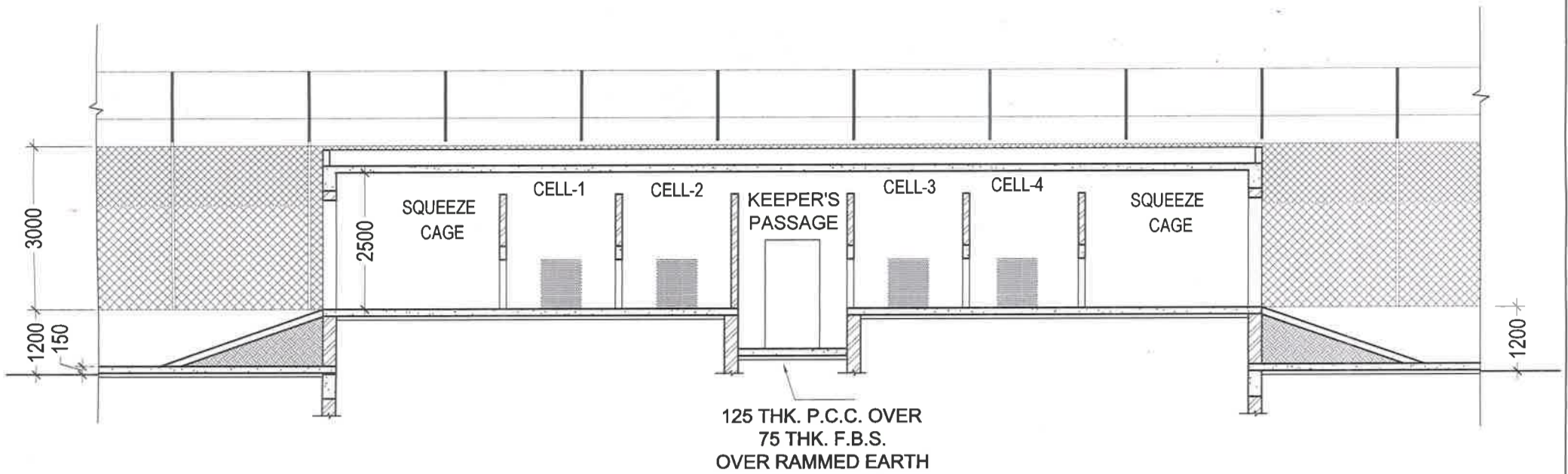

Dr. D. N. SINGH, IFS
 Member Secretary
 Central Zoo Authority
 Ministry of Environment, Forest & Climate Change
 Govt. of India, New Delhi-110003


 Chief Engineer
 West Bengal Zoo Authority

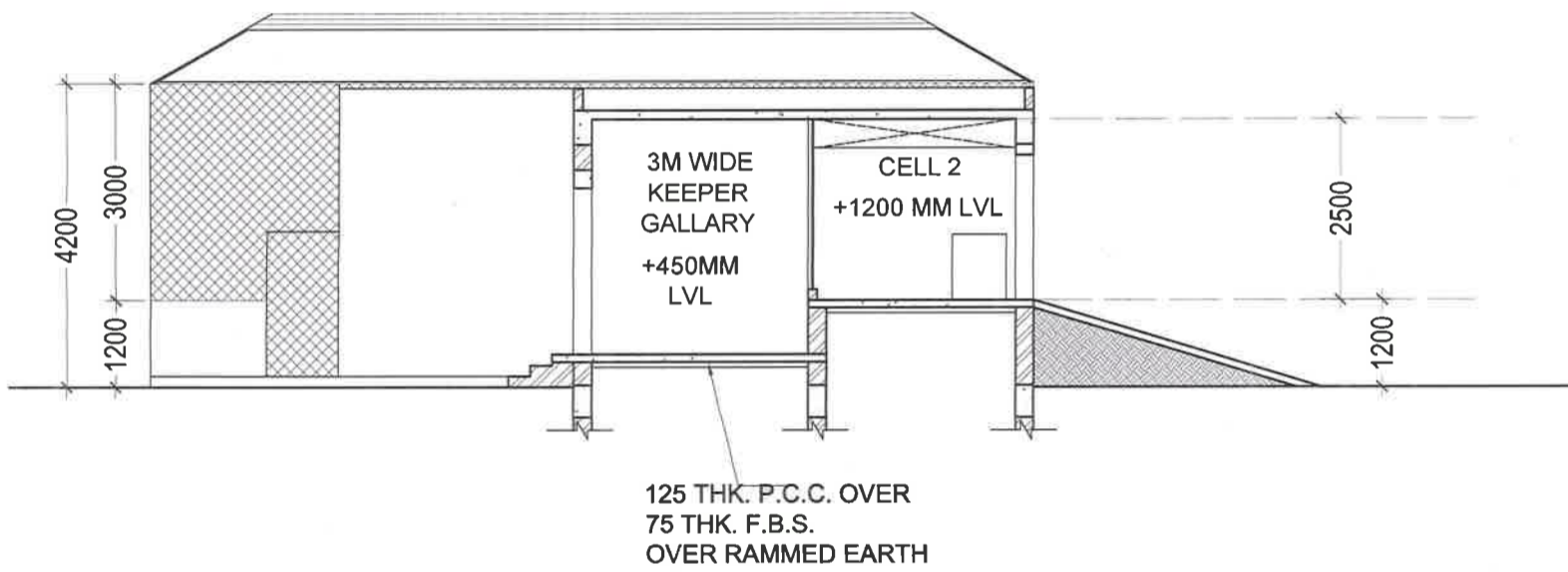

 Sub -- Assistant Engineer
 West Bengal Zoo Authority


 Member Secretary
 West Bengal Zoo Authority

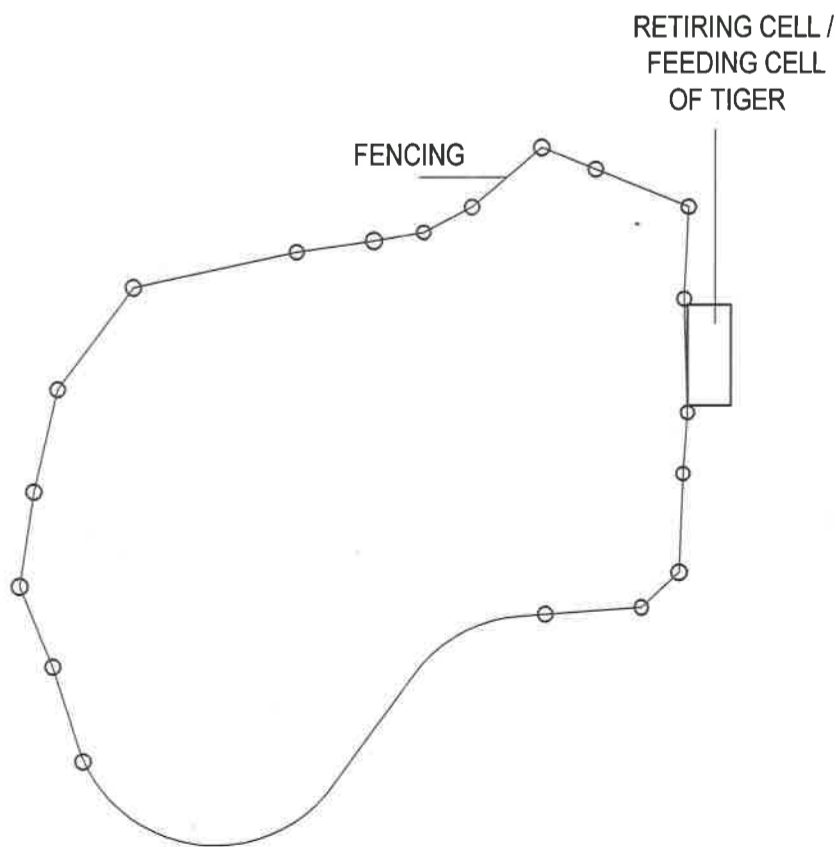
CLIENT	WEST BENGAL ZOO AUTHORITY			
PROJECT	NORTH BENGAL WILD ANIMAL PARK , SILIGURI			
CONSULTANT	S.A.CONSTRUCTION			
DRAWING TITLE	RETIRING CELL / FEEDING CELL OF TIGER PLAN & SECTIONAL ELEVATIONS			
SCALE NTS	DRAWN RAKHI	CHECKED BY:	DATE 17.12.15	DRAWING NO. 15-16/NBWAP/TIGER/TD-ARC/01



SECTION AT AA



SECTION AT BB




MAP SHOWING TIGER SAFARI


Dr. D. N. SINGH, IFS
 Member Secretary
 Central Zoo Authority
 Ministry of Environment, Forest & Climate Change
 Govt. of India, New Delhi-110003

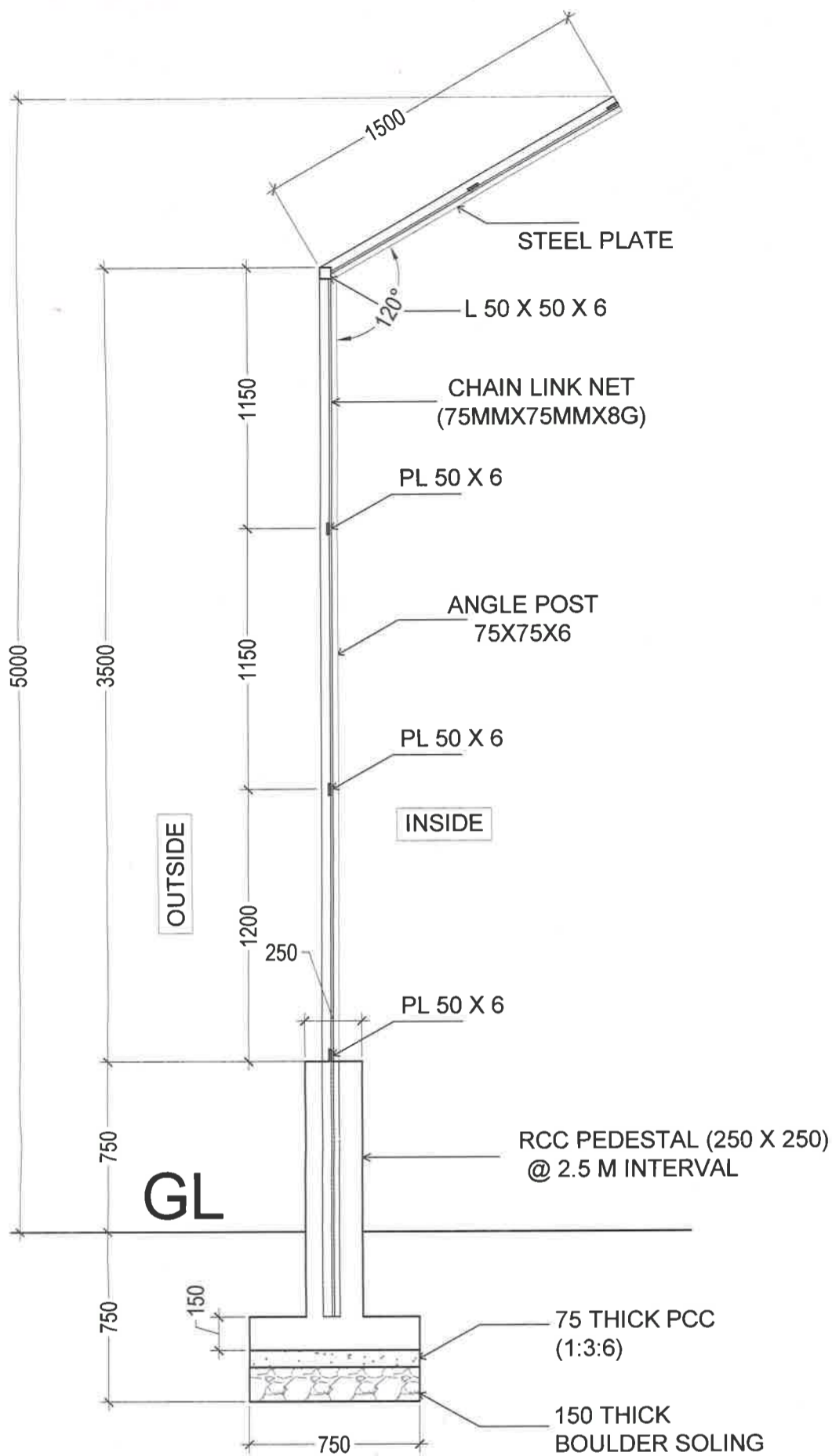
Handwritten signature


 Member Secretary
 West Bengal Zoo Authority

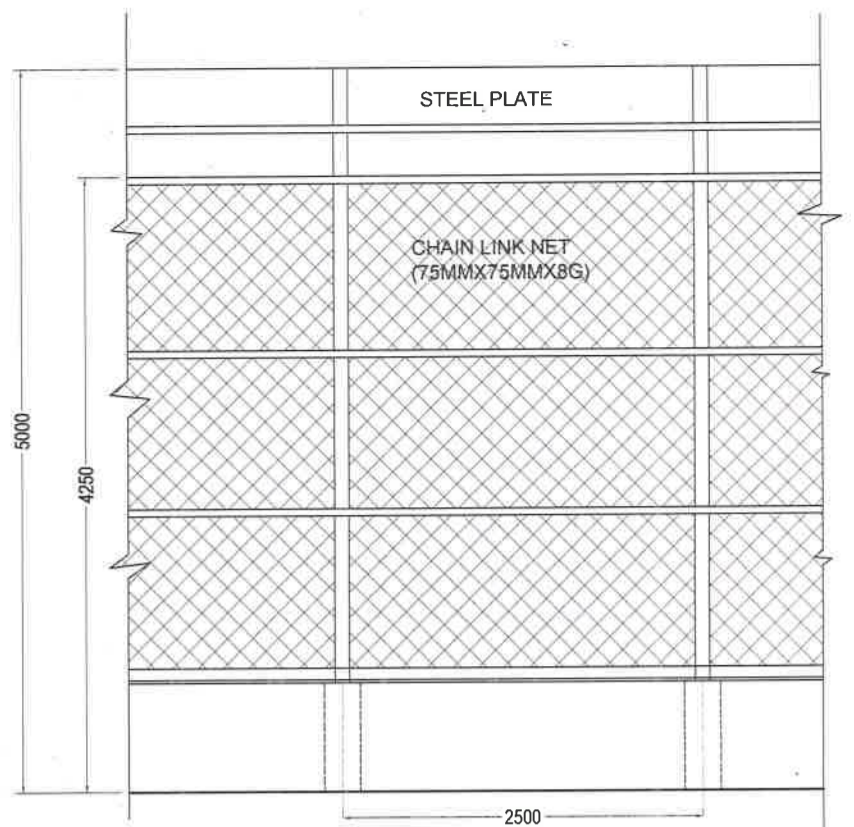

 Sub-Assistant Engineer
 West Bengal Zoo Authority


 Chief Engineer
 West Bengal Zoo Authority

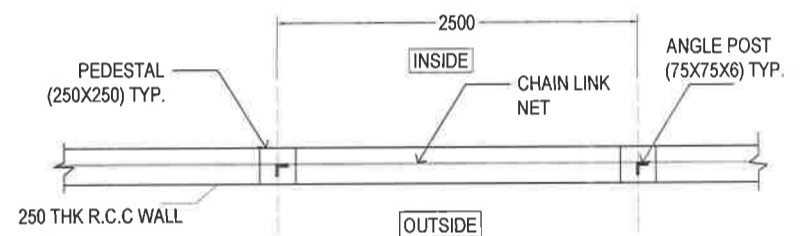
CLIENT	WEST BENGAL ZOO AUTHORITY			
PROJECT	NORTH BENGAL WILD ANIMAL PARK , SILIGURI			
CONSULTANT	S.A.CONSTRUCTION			
DRAWING TITLE	RETIRING CELL / FEEDING CELL OF TIGER PLAN & SECTIONAL ELEVATIONS			
SCALE	DRAWN	CHECKED BY:	DATE	DRAWING NO.
NTS	RAKHI		17.12.15	15-16/NBWAP/TIGER/TD-ARC/02



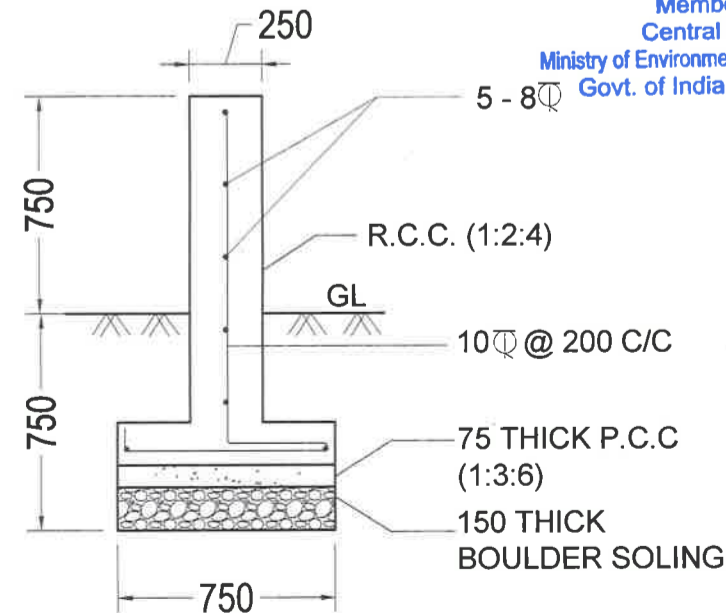
TYPICAL SECTION



ELEVATION

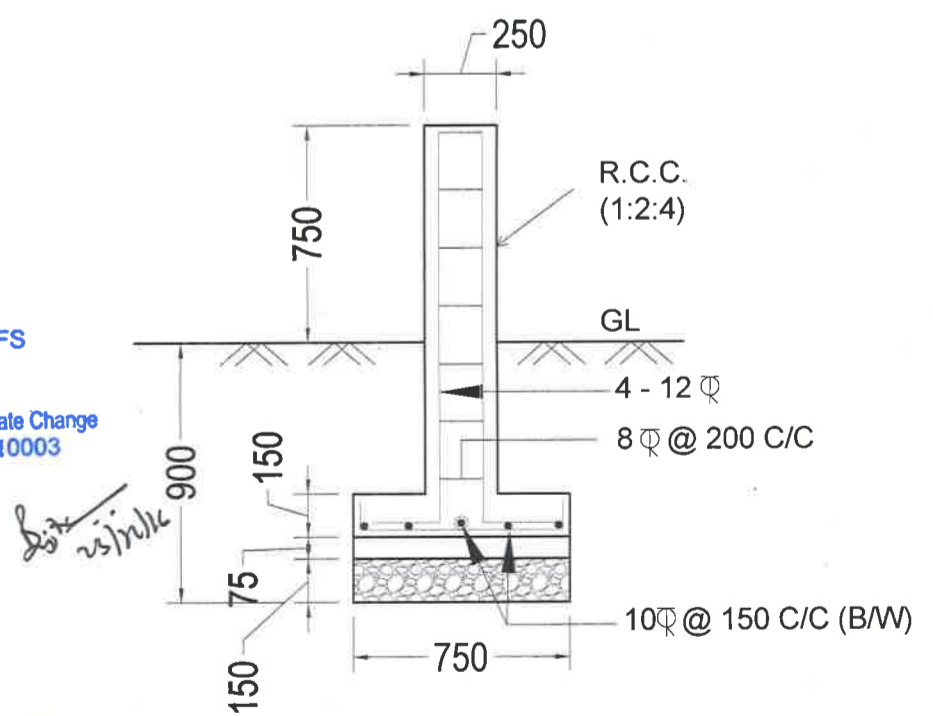


PLAN



SECTIONAL VIEW OF R.C.C WALL

Dr. D. N. SINGH, IFS
 Member Secretary
 Central Zoo Authority
 Ministry of Environment, Forest & Climate Change
 Govt. of India, New Delhi-110003



DETAIL OF PEDESTAL WITH FOOTING

Sub - Assistant Engineer
 West Bengal Zoo Authority

Chief Engineer
 West Bengal Zoo Authority

CLIENT	WEST BENGAL ZOO AUTHORITY			
PROJECT	NORTH BENGAL WILD ANIMAL PARK , SILIGURI			
CONSULTANT	S.A.CONSTRUCTION			
DRAWING TITLE	BOUNDARY WALL DETAILS OF TIGER			
SCALE	DRAWN	CHECKED BY:	DATE	DRAWING NO.
NTS	RAKHI		17.12.15	15-16/NBWAP/BW - TIGER /01