



जहाँ है हरियाली।  
वहाँ है सुशहाली।।



GOVERNMENT OF INDIA  
MINISTRY OF ENVIRONMENT & FORESTS  
**Central Zoo Authority**

312

286



F. No. 19-114/92-CZA(271)(Vol. IV)(M)/5147

DATE: 23.06.2014

To

Dr. Tejaswini Patil  
Director  
Pt. G. B. Pant High Altitude Zoo,  
Nainital (Uttarakhand).

**Sub: Proposed designs for the construction of Tiger and Red panda exhibits at Pt. G. B. Pant High Altitude Zoo, Nainital.**

Madam,

The has with reference to the power point presentation delivered by you on the designs for the construction of Tiger and Red panda exhibits at the Pt. G. B. Pant High Altitude Zoo, Nainital before the members of the Expert Group on Zoo Designing of the Central Zoo Authority in its meeting held on 5<sup>th</sup> June, 2014. After detailed deliberation the following observations were made:-

(a) Extension of Tiger exhibit

The design was approved subject to following:-

- Newly added portion should be open on top with chain-link mesh barrier of 5mt. high, while the presently covered area will continue as such till further examination by CZA.
- To prevent eventuality of entry of free ranging Leopards, there should be slanting steel plate of 1.5 mt wide at an angle of 120 degree to the vertical top.
- Existing wall to be removed for better viewing.

(b) Red panda enclosure

The design was approved as recommended by Sh. A. K. Jha, Director, Padmaja Naidu Himalayan Zoological Park, Darjeeling as per decision of the Technical Committee and Expert Group on zoo Designing and the recommendation received from Sh. A. K. Jha on the assessment of the proposed Red panda enclosure during the inspection of Nainital Zoo on 13<sup>th</sup> March, 2014. The area is gentle slope, with two

...2/-

o/c  
24/6/14

282


312

-2-

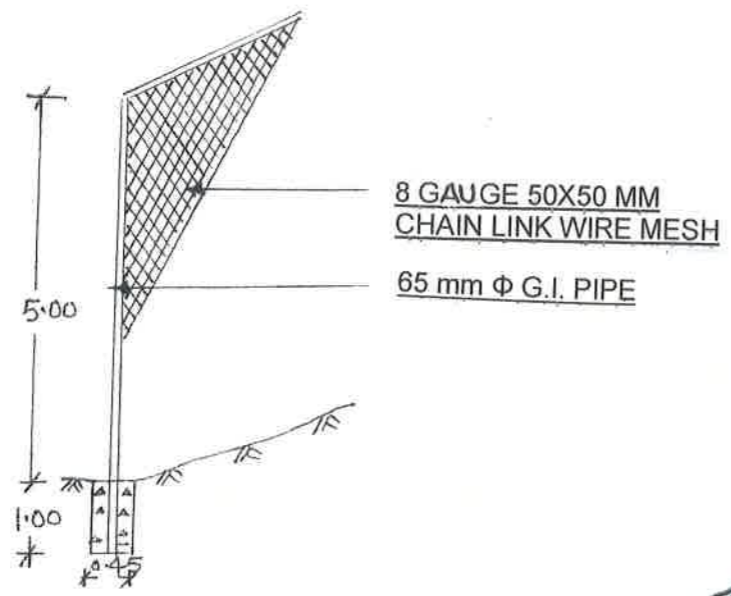
large trees on it. There is a chain-link fencing, on iron angles. The area is recommended for Red panda enclosure, as it can be manipulated by way of providing bamboo plantation, cubbing boxes, furniture (aerial walkways) as enrichment and a water flow if possible. The chain-link can be removed and 5-6 high carbonated transparent fiber glass sheet can be used on iron angles to cover the enclosure. The area being sunny is added advantage.

Keeping in view of the above, you are requested to submit final copies of the designs for further consideration and authentication by Member Secretary, CZA.

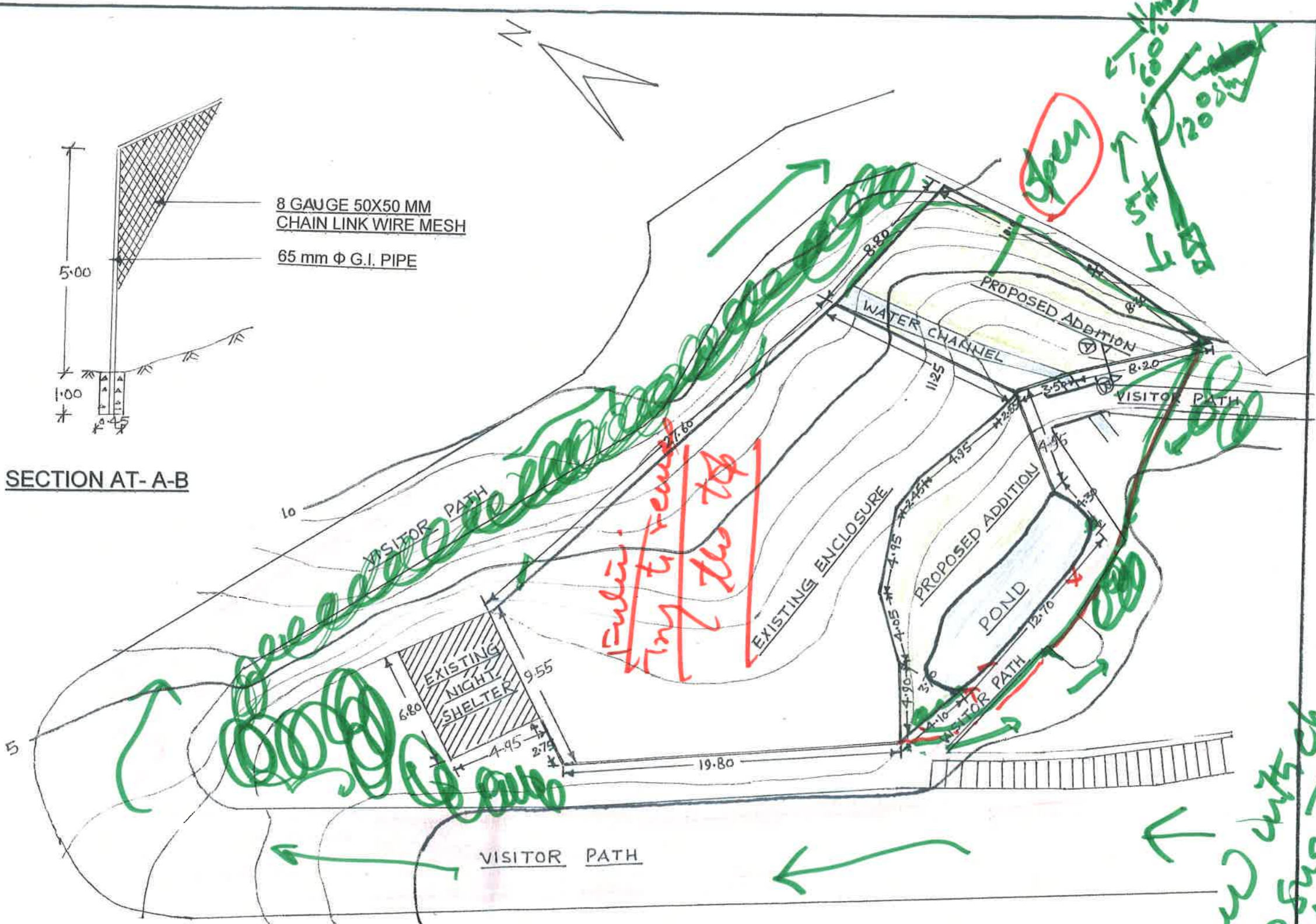
**Yours faithfully,**

  
(Inder Dhamija)  
DIG (Hqr.)





SECTION AT-A-B



Show with changes  
 as suggested  
 2/19/2023  
 (S.S. 23.3)

**PROPOSED ADDITION TO THE EXISTING ENCLOSURE FOR TIGER AT PT. G.B. PANT HIGH ALTITUDE ZOO NAINITAL (Scale- 1:250)**

AREA OF EXISTING ENCLOSURE	509.59 Sqmt.
AREA OF PROPOSED ADDITION (ENCLOSURE)	286.83 Sqmt.
<b>TOTAL AREA</b>	<b>796.42 Sqmt.</b>
INDEX	
1. VISITOR PATH	
2. POND	
3. WATER CHANNEL	
4. PROPOSED ADDITION	
5. EXISTING SHELTER	
6. CONTOUR INTERVAL	1.00 MT.