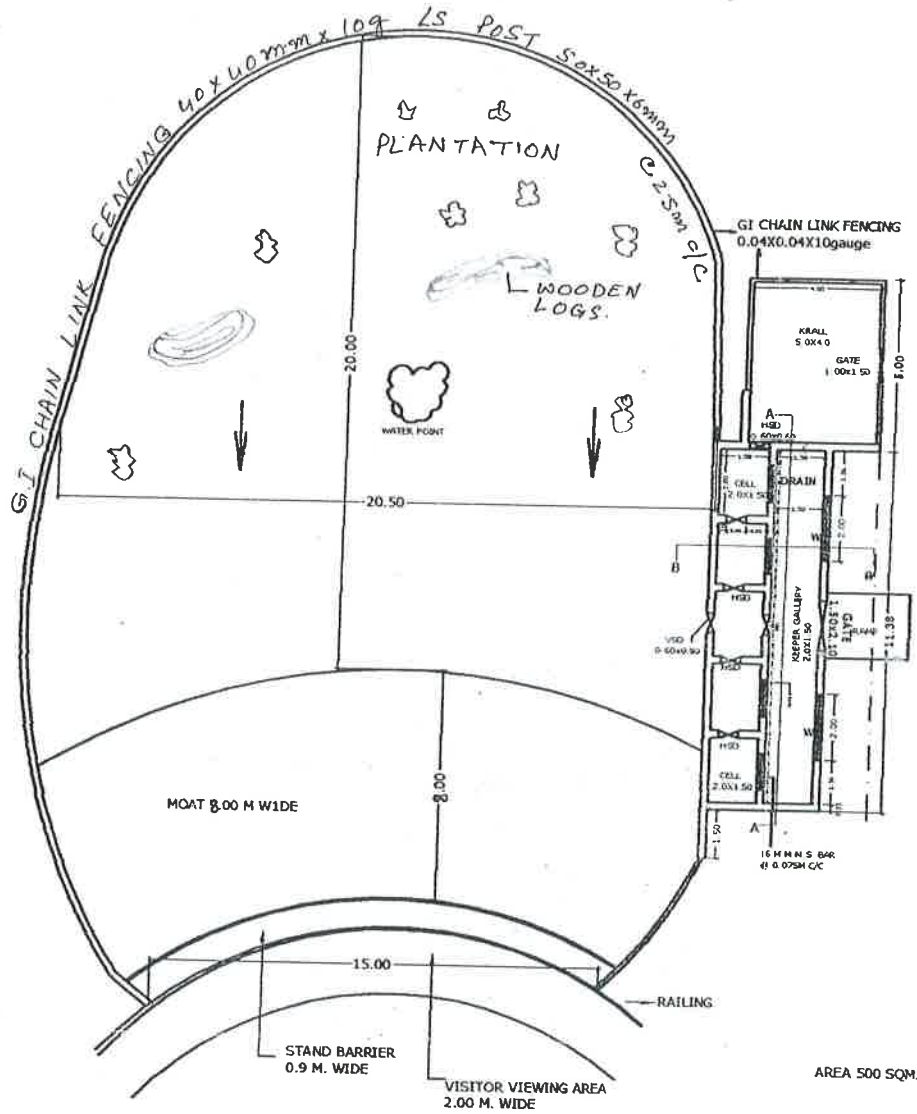


3

# DETAILED DESIGN FOR THE CONSTRUCTION OF LANGURE ENCLOSURE AT MINI ZOO PIPLI

HANU MAN



## PLAN

Divisional Wild Life Officer  
Panchkula

Conservator of Forests  
(Wildlife) Haryana,  
Panchkula

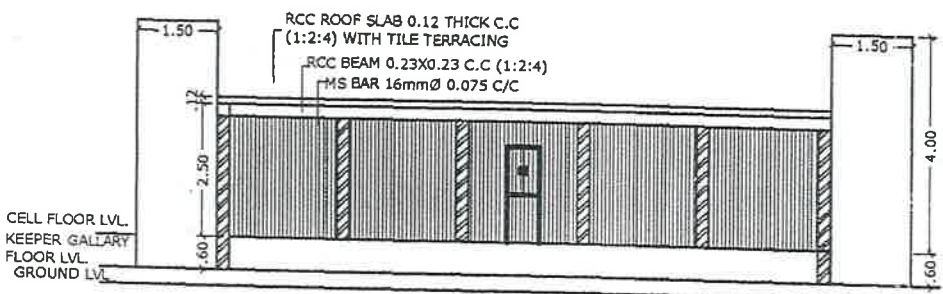
Adm. Officer (Wildlife)  
Chief Warden  
Haryana Wildlife  
Panchkula

B. S. BONAL IPS  
Member, Secretary  
Central Zoo Authority  
Ministry of Environment, Forests & Climate Change  
Govt. of India, New Delhi-110001

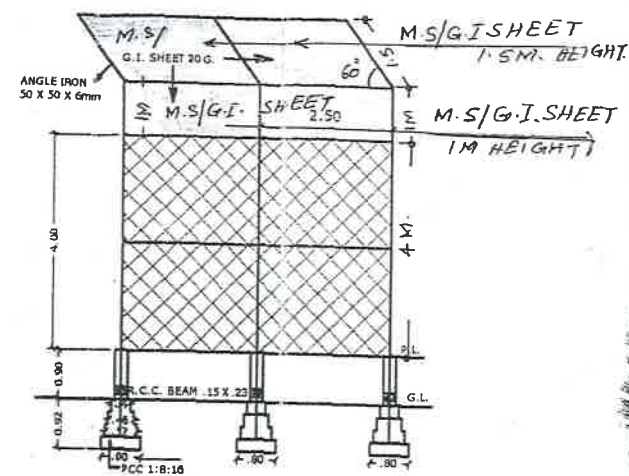
2/11/24

# SECTIONAL DETAIL FOR THE CONSTRUCTION OF LANGUR ENCLOSURE AT MINI ZOO PIPLI

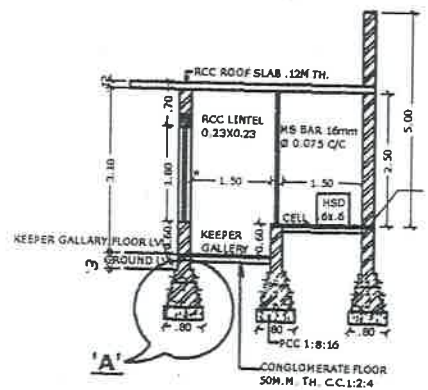
HANUMAN



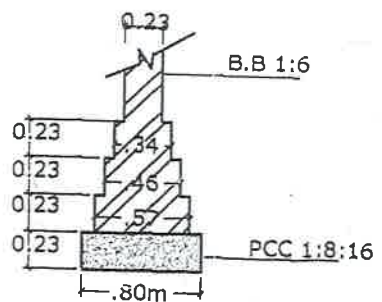
**SECTION ELEVATION AT A-A**



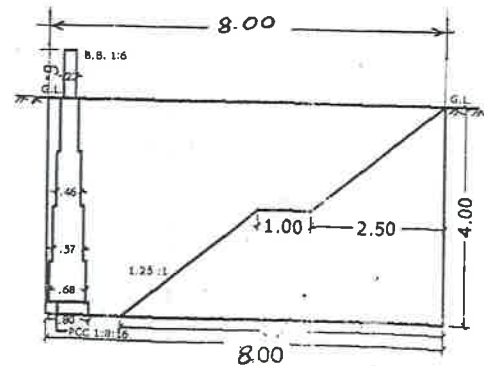
**DETAIL OF G. I. CHAIN LINK FENCING 40mm X 40 X 10<sup>3</sup>**



**SECTION AT B-B**



**DETAIL AT 'A'**



**DETAIL OF MOAT**

15

Divisional Wild Life Officer  
Panchkula

Conservator of Forests  
(Wildlife) Haryana,  
Panchkula

Addl. PCRF (Wildlife)  
Cum-Chief Wildlife Warden  
Haryana, Panchkula

*Handwritten signature and date: 21/7/14*

PRODUCED BY AN AUTODESK EDUCATIONAL PRODUCT

PRODUCED BY AN AUTODESK EDUCATIONAL PRODUCT