



जहाँ है हरियाली।  
वहाँ है खुशहाली।।



1 copy

286



GOVERNMENT OF INDIA  
MINISTRY OF ENVIRONMENT & FORESTS  
**Central Zoo Authority**

F. No. 19-70/93-CZA(161)(Vol. XIV)(M) / 5156 DATE: 24.06.2014

To

Sh. A. M. Ajankar  
Director  
V. J. B. Udyan-Zoo,  
Byculla, Mumbai (Maharashtra)

**Sub:- Designs for the construction of various enclosures at V. J. B. Udyan-Zoo, Byculla, Mumbai.**

Sir

This has with reference to the power point presentation delivered by you, Sh. Anil Garg, HKS Designer and Dr. Kazveen Umrigar, Consultant of the Zoo on the designs for the construction of various enclosures at V. J. B. Udyan-Zoo, Byculla before the members of the Expert Group on Zoo Designing of the Central Zoo Authority in its meeting held on 5<sup>th</sup> June, 2014. It was appraised that while implementing construction work nature immersion effect with plantations by suitable species and effort to not to cut any established trees and re-plantation be considered. After detailed deliberation the following observations were made:-

a. Revised design of Bird aviary

The design was approved subject to the following rectifications:

- If possible, reduce the length of pathway in the beginning.
- Ensure movement of disabled visitors.
- Try elevation of ramp between 1:10-15.

b. Exhibits for Mugger and Gharial

The design was approved subject to the following rectifications:-

- 2 mt. high wall (from inside arena) is enough all around exhibit.
- Water body should not touch boundary wall.
- The slope of basking area should go inside the water body, with gentle slope for easy climbing.

...2/-

O/c  
24/6/14

286

c. Exhibit for Indian Gaur

The design was not approved, since elephants are already housed at the existing site will be taken up once elephants are shifted.

d. Exhibit for Lion

The design was approved subject to that the keeper's room near kraal should be removed.

e. Exhibit for Leopard

The design was approved subject to the following conditions:-

- i. Cement/ concrete structure in viewing area not required.
- ii. Viewing structure should not dominate the animal enclosures.
- iii. Common viewing area of Leopard and Hyena will have no structures and instead of that there will be convex one, protruding both enclosures with adequate space about 500 visitors at each site at a time.
- iv. Viewing gallery of both should be separated by vegetation.
- v. Kraal should be constructed at an appropriate place possibly inside the enclosure area otherwise outside as proposed.

f. Exhibit for Mouse deer

The design of the Mouse deer exhibit should be discussed during the next meeting of the Expert Group on Zoo Designing.

**Yours faithfully,**

sd-

**(B. S. Bonal)**

**Member Secretary**

Copy to the Commissioner, Greater Mumbai Municipal Corporation, Mumbai, Maharashtra.

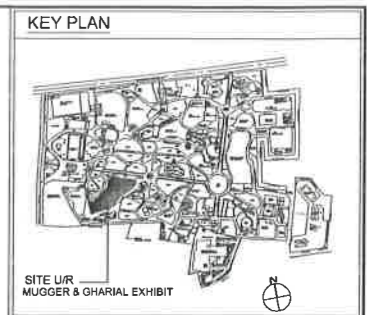
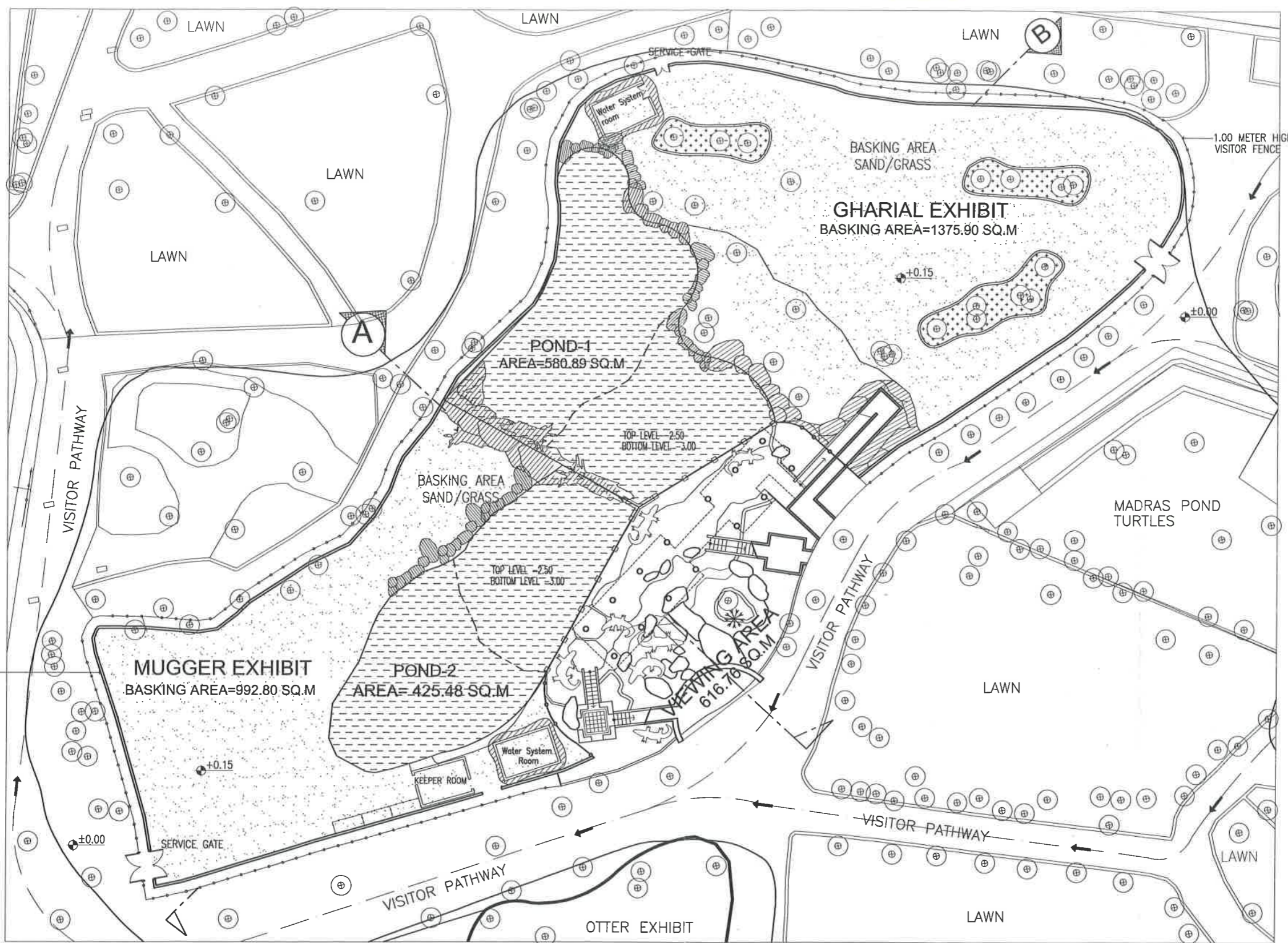


**(Inder Dhamija)**

**DIG (Hqr.)**

23/6/2014

286



**Notes :**  
 This document should not be relied on or used in circumstances other than those for which it was originally prepared and for which HKS DESIGNER & CONSULTANT INTERNATIONAL COMPANY LTD. was commissioned.  
 HKS DESIGNER & CONSULTANT INTERNATIONAL COMPANY LTD. accepts no responsibility for this document to any other party other than the person by whom it was commissioned. This drawing is the property of MCGM. It is not allowed to reproduce its contents in any form except for the purpose for which it is intended.

- AUTHORISED SIGNATORIES**
- DESIGN CONSULTANT :
  - CIVIL CONSULTANT :
  - STRUCTURAL CONSULTANT :
  - MECHANICAL CONSULTANT :
  - ELECTRICAL CONSULTANT :
  - PLUMBING CONSULTANT :
  - PROJECT MANAGEMENT CONSULTANT :
  - H.V.A.C CONSULTANT :
  - LIFE SUPPORT SYSTEM CONSULTANT :
  - OPERATIONS CONSULTANT :
  - SECURITY CONSULTANT :
  - P & D (MCGM) :

**COMMENTS**

Sr.No.	COMMENT	DATE	BY

**REVISIONS**

Sr.No.	REVISIONS	DATE	BY

**SHEET TITLE : MUGGER & GHARIAL EXHIBIT - PROPOSED LAYOUT PLAN**

**PROJECT :**  
 RENOVATION OF VEERMATA JIJABAI BHOSALE UDYAN - ZOO  
**ADDRESS :**  
 DR. B. AMBEDKAR MARG, BYCULLA, MUMBAI - 400027

**STAMP :**

**RAHUL V. CHEMBURKAR**  
 B. Arch, A.I.A.  
 Architect & Designer  
 Regn. No. CA 12901

SCALE = 1:300  
 DRAWN BY : ZOHEB CHD BY : V.V.P  
 DRAWING NO.  
 HKS-MG-01

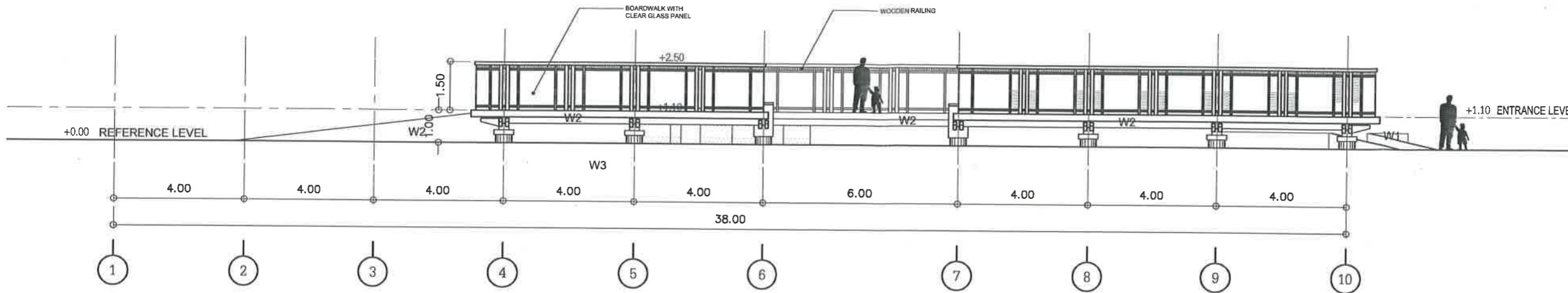
**AREA CALCULATION**

Sr.No.	EXHIBIT NAME	VIEWING AREA	WATER POND AREA	BASKING AREA	TOTAL EXHIBIT AREA
1	MUGGER	616.76	425.48 SQ.M	992.80 SQ.M	1418.30 SQ.M
2	GHARIAL		580.89 SQ.M	1375.90 SQ.M	1956.80 SQ.M
3	ANIMAL COLLECTION= MUGGER (M-F-U)(5-5-0)=10 & GHARIAL (M-F-U)(5-5-0)=10				

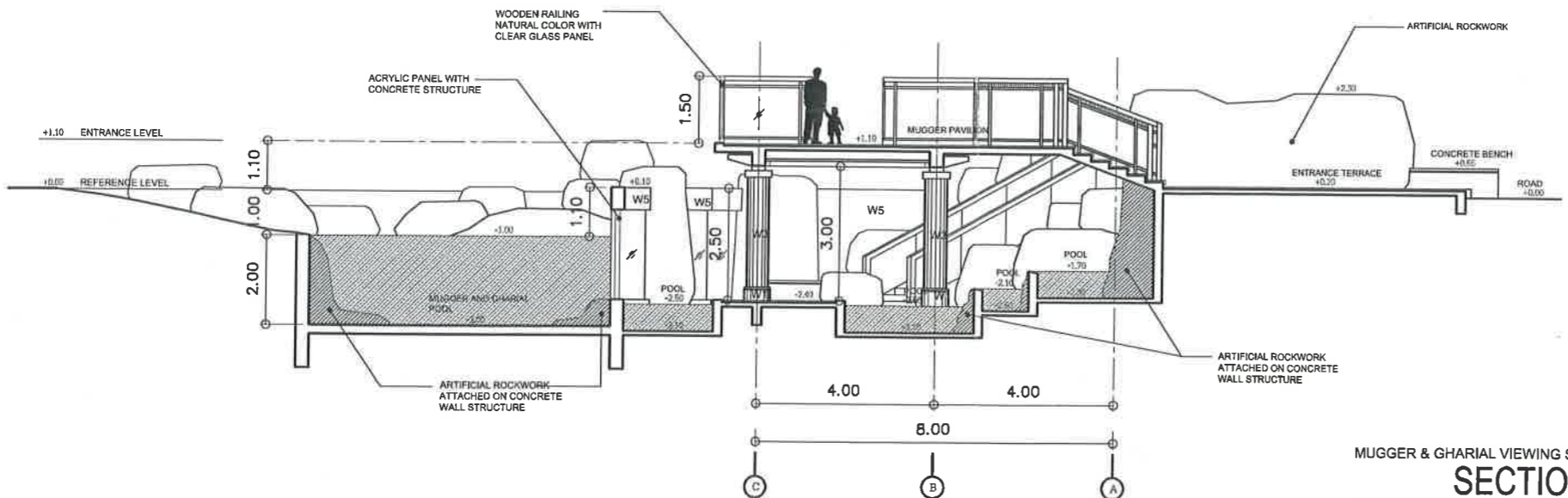
*Mj*  
 Director  
**V. J. B. UDYAN-ZOO**  
 Byculla, Mumbai-27.

**PROPOSED LAYOUT PLAN 1:300**  
**MUGGER & GHARIAL EXHIBIT**

286



MUGGER & GHARIAL VIEWING SHELTER  
**ELEVATION 1**  
 1:100



MUGGER & GHARIAL VIEWING SHELTER  
**SECTION A**  
 1:100

**Notes :**  
 This document should not be relied on or used in circumstances other than those for which it was originally prepared and for which HKS DESIGNER & CONSULTANT INTERNATIONAL COMPANY LTD. was commissioned.  
 HKS DESIGNER & CONSULTANT INTERNATIONAL COMPANY LTD. accepts no responsibility for this document to any other party other than the person by whom it was commissioned. This drawing is the property of MCGM. It is not allowed to reproduce its contents in any form except for the purpose for which it is intended.

**AUTHORISED SIGNATORIES**

DESIGN CONSULTANT :	
CIVIL CONSULTANT :	
STRUCTURAL CONSULTANT :	
MECHANICAL CONSULTANT :	
ELECTRICAL CONSULTANT :	
PLUMBING CONSULTANT :	
PROJECT MANAGEMENT CONSULTANT :	
H.V.A.C CONSULTANT :	
LIFE SUPPORT SYSTEM CONSULTANT :	
OPERATIONS CONSULTANT :	
SECURITY CONSULTANT :	
P & D (MCGM) :	

 **HKS DESIGNER & CONSULTANT INTERNATIONAL COMPANY LTD.**  
 Site Office Telefax : +91 22 373 4007  
 Web site : www.hksconsultants.com

**COMMENTS**

Sr.No.	COMMENT	DATE	BY

**REVISIONS**

Sr.No.	REVISIONS	DATE	BY

**SHEET TITLE :** MUGGER & GHARIAL EXHIBIT - VIEWING SHELTER ELEVATION & SECTION A  
**PROJECT :** RENOVATION OF VEERMATA JIJABAI BHOSALE UDYAN - ZOO  
**ADDRESS :** DR. B. AMBEDKAR MARG, BYCULLA, MUMBAI - 400027

**STAMP :**  
  
**V. J. B. UDYANKAR**  
 Director  
 B. Arch, A.I.A.  
 Architect & Designer  
 Regn. No. CA/93/19701

**SCALE :** 1:100  
**CHD BY :** V.V.P.  
**DRAWING NO. :**  
 HKS-MG-02