

जहाँ है हरियाली।  
वहाँ है खुशहाली।।



GOVERNMENT OF INDIA  
MINISTRY OF ENVIRONMENT & FORESTS  
**Central Zoo Authority**

Registered Post



**THROUGH REGISTERED POST**

F. No. 19-60/92-CZA(299)(Vol. V)(M) / 4223

DATE: 27.01.2014

To

The Director  
Kanpur Zoological Park,  
Kanpur (Uttar Pradesh).

**Sub:- Design for the construction of Aviary for Pheasants and enclosure  
for Birds of prey at Kanpur Zoological Park, Kanpur.**

Sir,

Reference is invited to your letter No. 1024/7-4-dated 2<sup>nd</sup> January, 2014.

The designs for the construction of Aviary for Pheasants and enclosure for Birds of prey at Kanpur Zoological Park, Kanpur were placed before the 46<sup>th</sup> Meeting of the Expert Group on Zoo Designing of the Central Zoo Authority held on 3<sup>rd</sup> January, 2014. The designs were scrutinized and following observations were made:-

1. Pheasantry :-

The designs for the Pheasantry was scrutinized and approved subject to the condition that:-

- Space provided for the lawn should have tree growth.
- Screening should be from the main visitors path.
- The aviaries should also have in between screening using the vegetation.

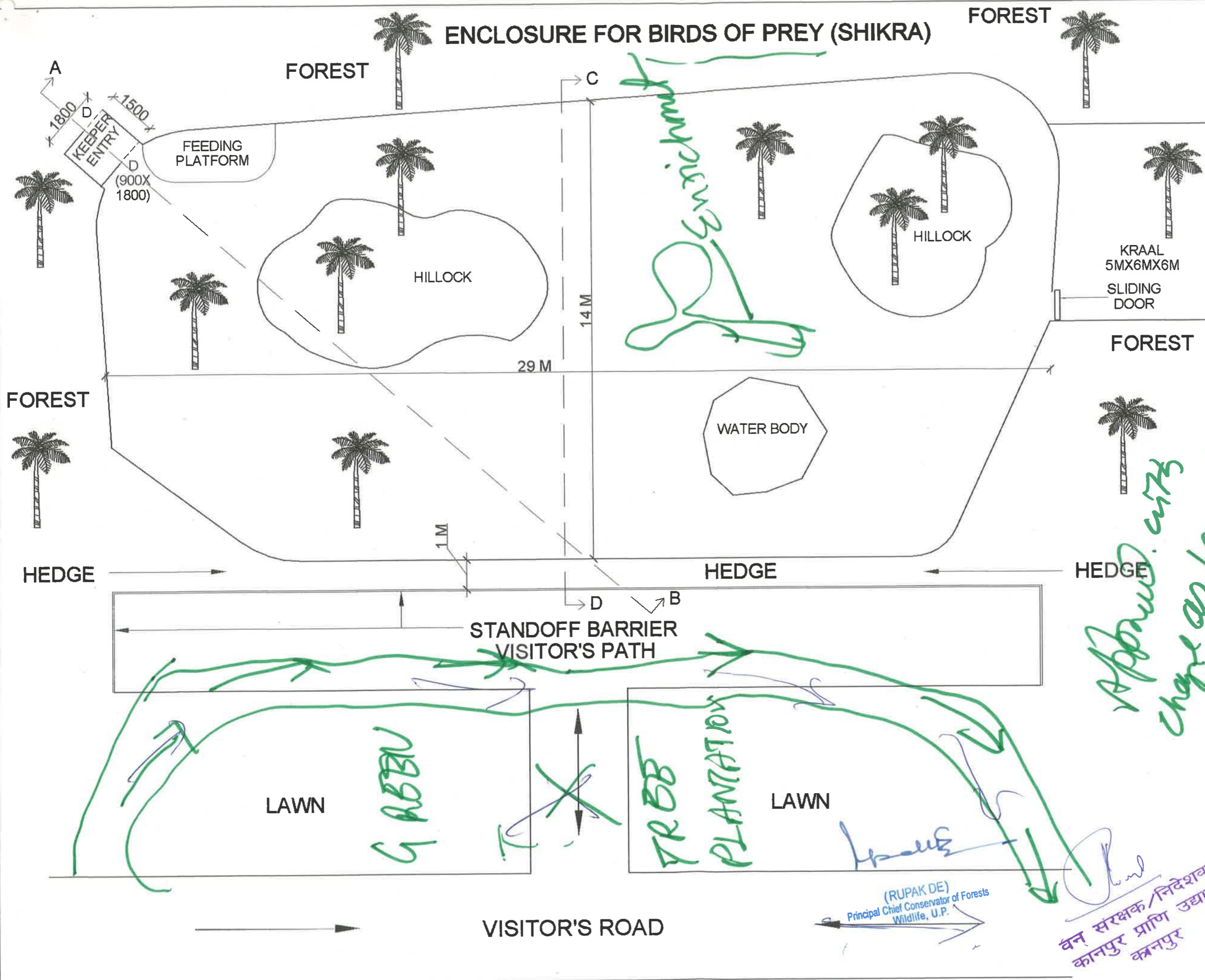
2. Birds of prey enclosure :-

The design was scrutinized and approved with the condition that visitor path should start from one side of the enclosure and go the other side and the central path should be avoided and the entire area. Even the main visitor area and the visitor path for the enclosure should be planted with trees.

...2/-

LAYOUT PLAN


190



*Approved. with change as suggested*

*(46-15-08/10/14 Meeting A signed on 2.0)*

DIRECTOR  
KANPUR ZOOLOGICAL PARK  
KANPUR, U.P.

North:  Scale: NTS  
Date: 01.01.14

Client:  
U.P.R.N.N. Ltd.

Architects:  
Vishal & Associates  
3/77, Viraj khand,  
Gomti Nagar, Lucknow  
Ph: 9839447965, 9839097571

(RUPAK DE)  
Principal Chief Conservator of Forests  
Wildlife, U.P.

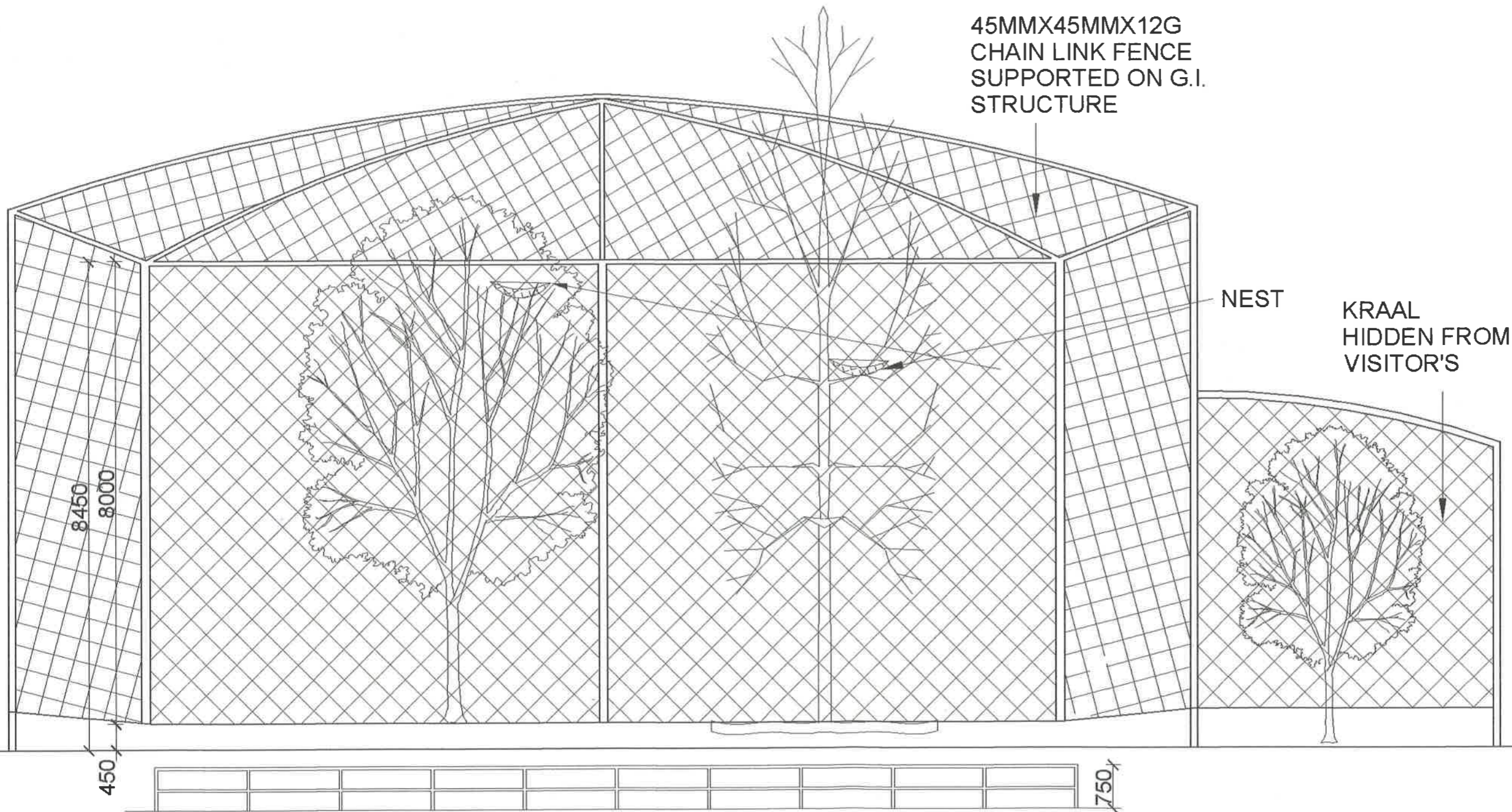
*बन संरक्षक/निदेशक  
कानपुर प्राणि उद्यान  
कानपुर*

# ENCLOSURE FOR BIRDS OF PREY (SHIKRA)

Drg. No. KNP/ZOO/BP/AR-02

FRONT ELEVATION

190



45MMX45MMX12G  
CHAIN LINK FENCE  
SUPPORTED ON G.I.  
STRUCTURE

NEST

KRAAL  
HIDDEN FROM  
VISITOR'S

STANDOFF BARRIER

## FRONT ELEVATION

*(Signature)*  
(RUPAK DE)  
Principal Chief Conservator of Forests  
Wildlife, U.P.

*(Signature)*  
वन संरक्षक/निदेशक  
कानपुर प्राणि उद्यान  
कानपुर

DIRECTOR  
KANPUR ZOOLOGICAL PARK  
KANPUR, U.P.

North :	Scale : NTS
	Date : 01.01.14

Client:  
U.P.R.N.N. Ltd.

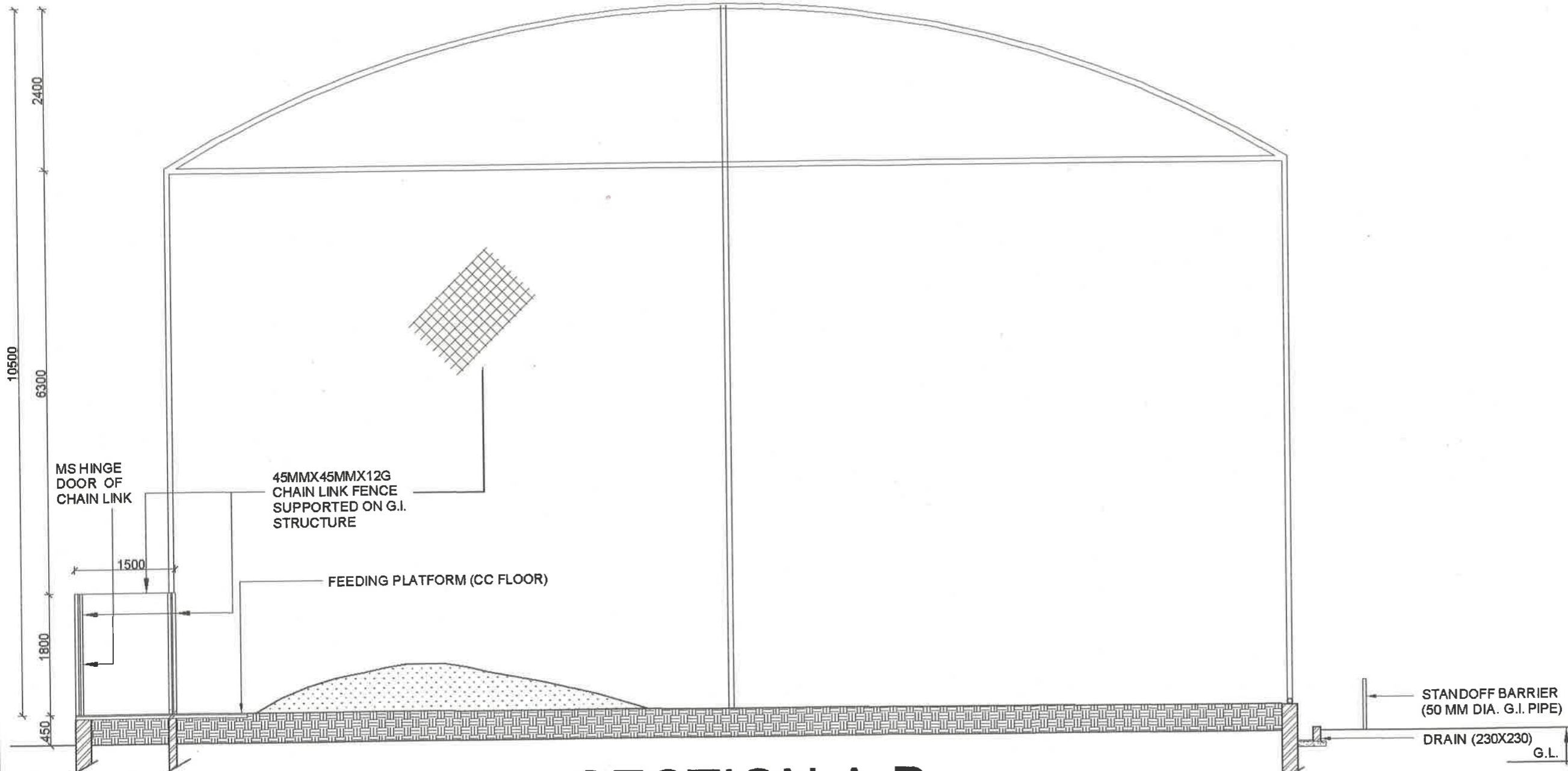
Architects:  
Vishal & Associates  
3/77, Vraj khand,  
Gomti Nagar, Lucknow  
Ph: 9839447965, 9839097571

# ENCLOSURE FOR BIRDS OF PREY (SHIKRA)

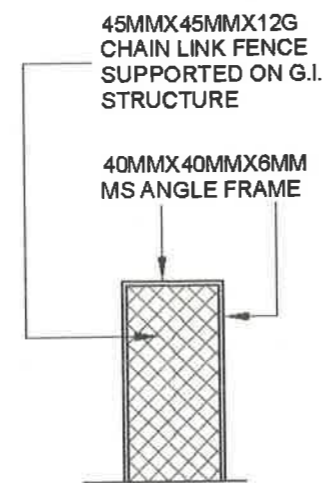
Drg. No. KNP/ZOO/BP/AR-03

SECTION A-B

190



## SECTION A-B



## DOOR

*(Signature)*  
 (RUPAK DE)  
 Principal Chief Conservator of Forests  
 Wildlife, U.P.

*(Signature)*  
 वन संरक्षक/निदेशक  
 कानपुर प्राणि उद्यान  
 कानपुर

DIRECTOR  
 KANPUR ZOOLOGICAL PARK  
 KANPUR, U.P.

North : Scale : NTS  
 Date : 01.01.14

Client:  
 U.P.R.N.N. Ltd.

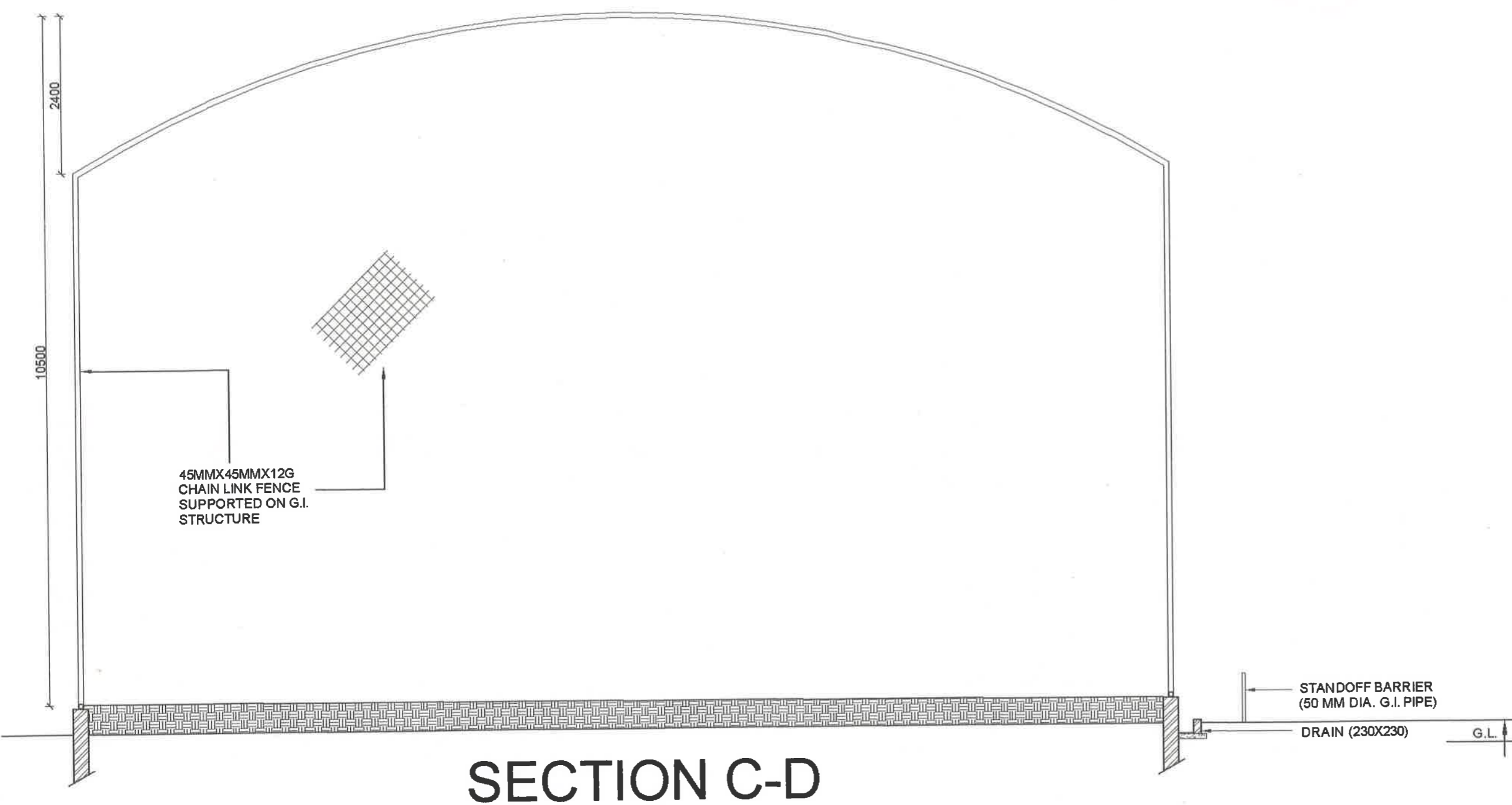
Architects:  
**Vishal & Associates**  
 3/77, Viraj khand,  
 Gomti Nagar, Lucknow  
 Ph: 9839447965, 9839097571

# ENCLOSURE FOR BIRDS OF PREY (SHIKRA)

Drg. No. KNP/ZOO/BP/AR-04

SECTION C-D

190



## SECTION C-D

DIRECTOR  
KANPUR ZOOLOGICAL PARK  
KANPUR, U.P.

North :	Scale :	NTS
	Date :	01.01.14

Client:  
U.P.R.N.N. Ltd.

Architects:  
**Vishal & Associates**  
3/77, Viraj khand,  
Gomti Nagar, Lucknow  
Ph: 9839447965, 9839097571

*[Signature]*  
Principal Chief Conservator of Forests  
Wildlife, U.P.

*[Signature]*  
वन संरक्षक/निदेशक  
कानपुर प्राणि उद्यान  
कानपुर