



केन्द्रीय चिड़ियाघर प्राधिकरण
Central Zoo Authority
(STATUTORY BODY UNDER THE MINISTRY OF ENVIRONMENT & FORESTS, GOVT OF INDIA)

Bikaner House, Annexe VI,
Shahjahan Road, New Delhi - 110011
website : <http://www.cza.nic.in>

DATE: 23.1.2008

F. No. 19-20/92-CZA(325)(Vol.V)(M)

To

The Director
Padmaja Naidu Himalayan Zoological Park,
Darjeeling - 734 101 (West Bengal)

Sub:- Renovation of old Bear house and extension of Snow leopard house enclosure at Snow leopard Breeding Centre at the Zoo - Regarding.

Sir,

Please refer to your letter No. 826/P.A.3/ PNHZP/07-08 dated 13.8.2007.

The designs for renovation of old Bear house and extension of Snow leopard house and enclosure at Snow leopard Breeding Centre at the Zoo were placed before the 1st Meeting of the Expert Group on Zoo Designing of the Central Zoo Authority held on 27th December, 2007 and the designs were approved.

Yours faithfully,

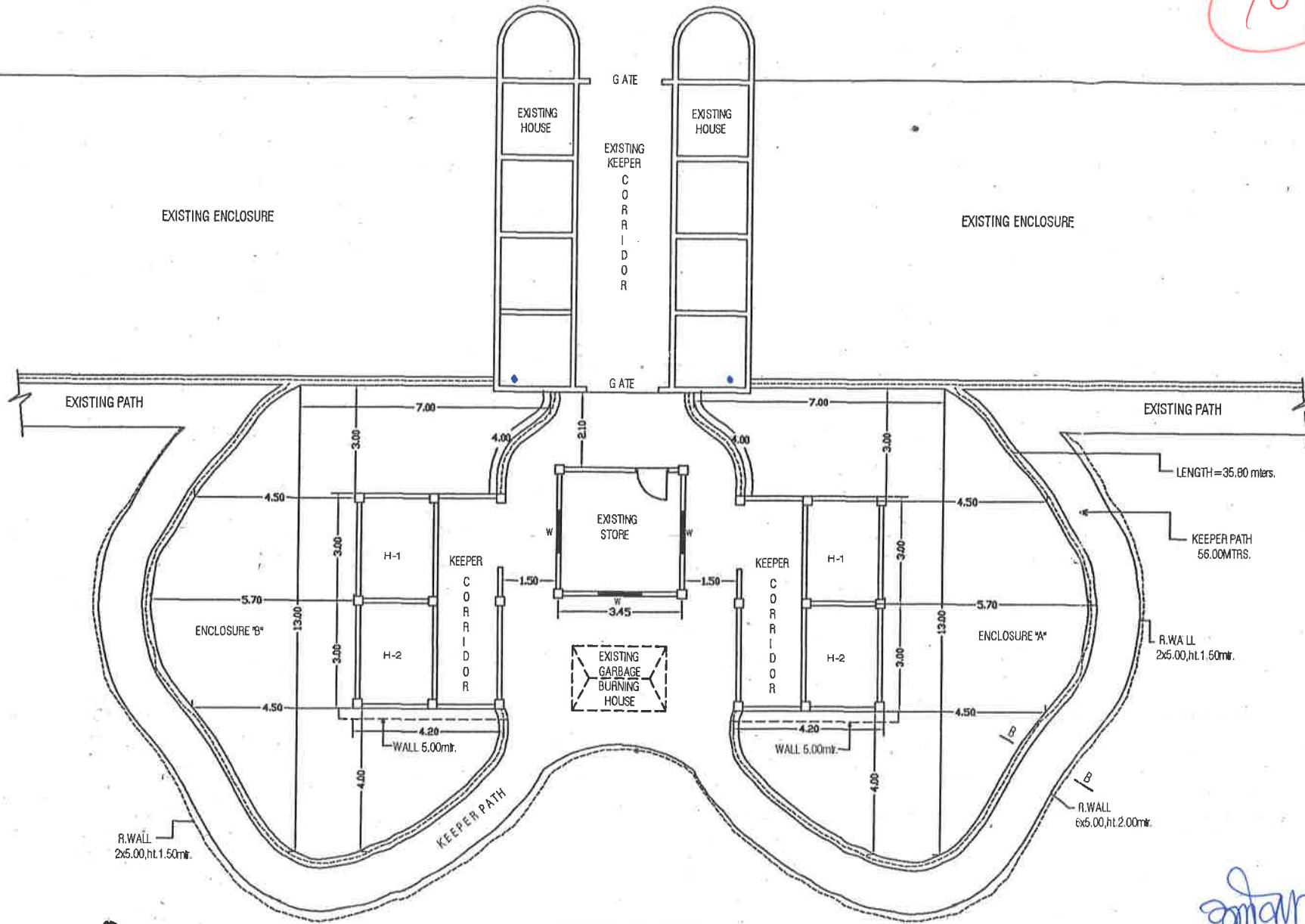
(B. R. Sharma)
Member Secretary

AC
25/1/08

PROPOSED PLAN AND ELEVATION OF EXTENSION FOR SNOW LEOPARD HOUSE & ENCLOSURE AT BACK SIDE AT C.B.C.
AT P.N.H.Z.PARK,DARJEELING

SCALE - 1:50

109



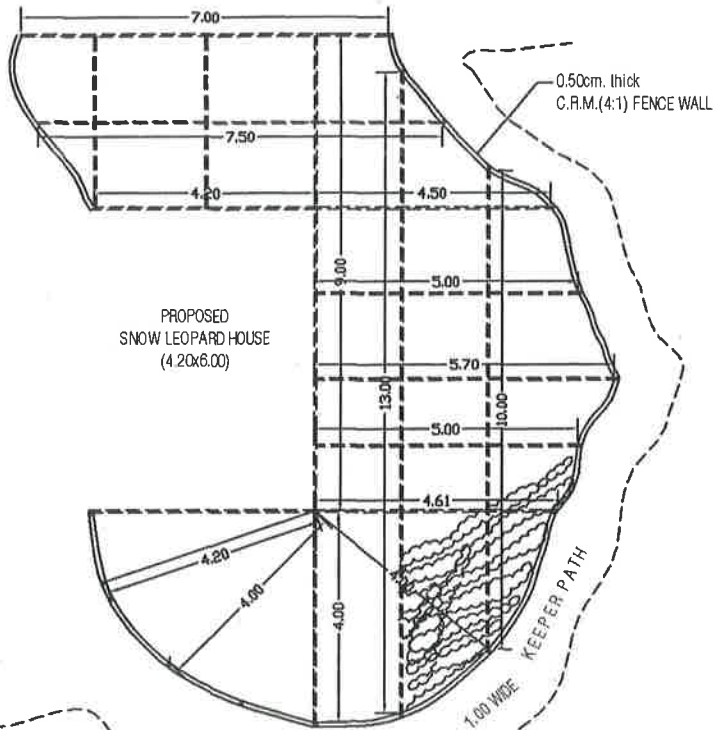
PROPOSED PLAN

[Signature]
DIRECTOR
P.N.H.Z. PARK
DARJEELING

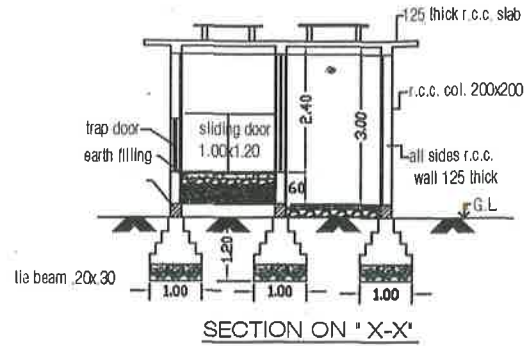
PROPOSED PLAN AND ELEVATION OF EXTENSION FOR SNOW LEOPARD HOUSE & ENCLOSURE AT BACK SIDE AT C.B.C.
AT P.N.H.Z. PARK, DARJEELING

SCALE - 1 : 50

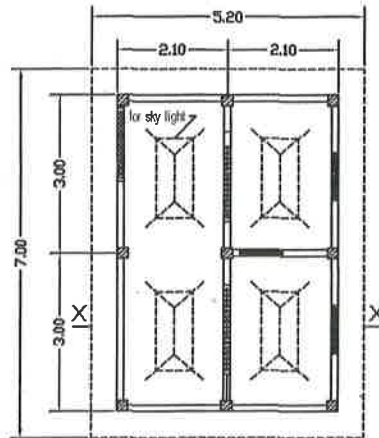
109



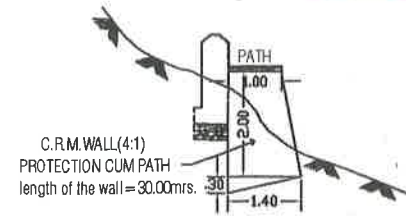
ROOF PLAN FOR NEW ENCLOSURE 'A-B'



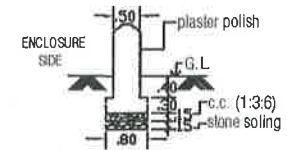
SECTION ON 'X-X'



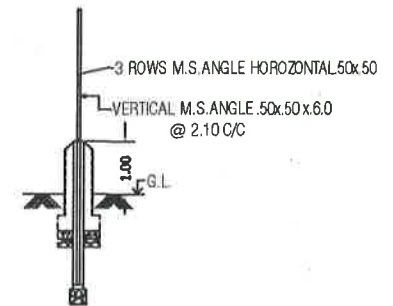
PLAN FOR 'A B'



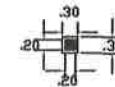
SECTION ON 'B-B'



C.R.M. (4:1) ENCLOSURE BASE WALL SECTION



SECTION OF M.S. ANGLE



PLAN OF M.S. ANGLE COLUMN

[Signature]
DIRECTOR
P.N.H.Z. PARK
DARJEELING